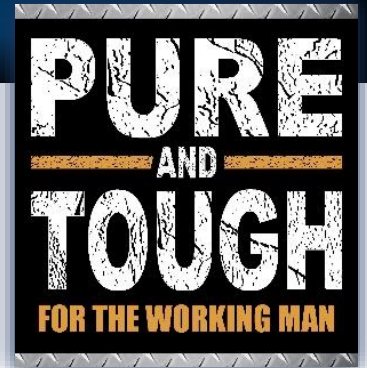


American Truckboxes

Medium Truck & Trailer Catalog



Secure and Trusted

Quality Built Storage Equipment

American Truckboxes, LLC is an innovative designer of storage products for the transportation and service industries manufacturing steel, stainless steel, and aluminum products.

American Truckboxes, LLC.

American Truckboxes is your *One-Stop* source for industrial commercial toolboxes and has the most extensive range of storage products in the United States. With such a diverse range of products, outstanding designs, and engineering staff, American Truckboxes can design and manufacture storage products for almost any requirement.

While the primary focus of products is for the work truck industry, American Truckboxes also designs and manufactures many specialty and customized products. Call us with your idea and we will help you design a solution. We use 3D CAD software to design all the products we manufacture.

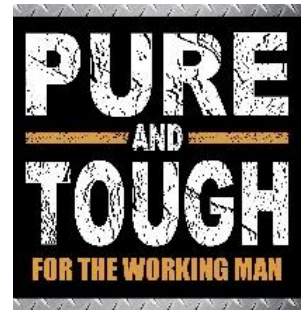
Introduction:

The purpose of this manual is to familiarize you with our company and our products. You will be able to use this manual to help you select the right product for the right job.

Our Mission:

To Be The Best Box Manufacturing Company In The Industry Today, Not The Biggest.

To furnish quality equipment, to those who will benefit from it at a competitive price. To provide follow-up service better than any other supplier. To be so good at what we do that you will never have a need to look elsewhere.



New: Dolphin Tail Latch with Roller

Index Page

No.	Model	Contents	Page	No.	Model	Contents	Page
Boxes for the Contractor							
1.	DU	Drawer Utility Boxes	3-6	13.	BP/BPT/BT	Pullout Bed-Pack Boxes	25-27
2.	SU	Top Side Mount Utility Boxes	7	14.	TP	Tool-Pack Pull-Out Boxes	28
3.	TU	Top Side Utility Boxes	8	15.	PP	Platform Pull-Out Tray	29
4.	CP	Cross-Pack Service Boxes	9-12	16.	IK	Drawer Insert Kits	30
5.	EP/HP	Electric Cross-Pack Boxes	13	17.	TC/BC	Chest & Bed Boxes	31-35
6.	HP	Hotshot Cross-Pack Boxes	14	18.	CS/JS	Chest Safe (Job Site) Box	36-37
7.	CRD/CGD	Truck Cab Cargo Box	15-17	19.	SG/SR	Service Utility Boxes	38-46
8.	TB	Top Bottom Utility Boxes	18-19	20.	SRT	Service Boxes (Tank Storage)	47
9.	TM	Top Mount Compartment Boxes	20	21.	SRD	Service Utility Storage Boxes	48
10.	DM	Drawer Tool Master Boxes	21-22	22.	AF/FS	A-Frame Boxes	49-50
11.	TD	Tractor Drawer Boxes	23	26.	GB	Generator Boxes	51-52
12.	DC	Drawer Cabinet Boxes	24	24.	TS/TL/TT	Tanks Fuel Auxiliary	53-56
Boxes for the Service-Man							
1.	LG/HG	Cross Boxes	57-58	5.	FC/DF/FI	Fender Boxes	66-69
2.	XC/MC	Cross/Saddle Boxes	59-61	6.	FT-FU	Fender Top Drawer Boxes	70-71
3.	LS/HS	Side Boxes	62-64	7.	PC/PT	Pickup Back Seat Storage	72-73
4.	FE	Fender End Gate Boxes	65	8.	FG/FR	Door Frame Kits	74-75
Service Packs for Pickup Boxes							
1.	HF/HR	Pickup Racks	76	3.	CE	Service Enclosures	79
2.	SP/BS	Service-Pack for Pickups	77-78	4.	FB	Truck Flat Beds	80
Mounting Brackets and Misc. Items							
1.	M-L	Mounting Brackets	81-84	9.	SU/SF	Shelves	89
2.	HSS/HSH	Hooks and Hangers	84	10.	TO/WO	Tool Organizers	90
3.	OT	Open Top Trays	85	11.	SO	Spray Can Organizers	91
4.	LV	Louvers	85	12.	PX	Pump Boxes	92
5.	EG	End Gate	86	13.	TA	LED Lights	93
6.	VH	Vehicle Hitch Hauler	86	14.	1A	Parts	94
7.	TY	Chest Box Trays	87	15.	ATB	Special Notice & Company Info	95
8.	FK/TF	Fuel Tank Accessories	88	16.	WA	Warranty	95

For Installation Guidelines and recommendation, visit our web page at: www.truckbox.com and download our installation manual.

DU - Drawer Utility Boxes - Steel Slanted Top - Bottom Open Drawer(s)

Drawer utility boxes are super heavy duty, high capacity and offer easy access from side of truck or flatbed. Drawers and optional shelves offer great storage and organization. Boxes can be ordered custom size or length. All AMERICAN TRUCKBOXES drawer boxes are designed and built to keep your tools organized and equipment safe and secure.

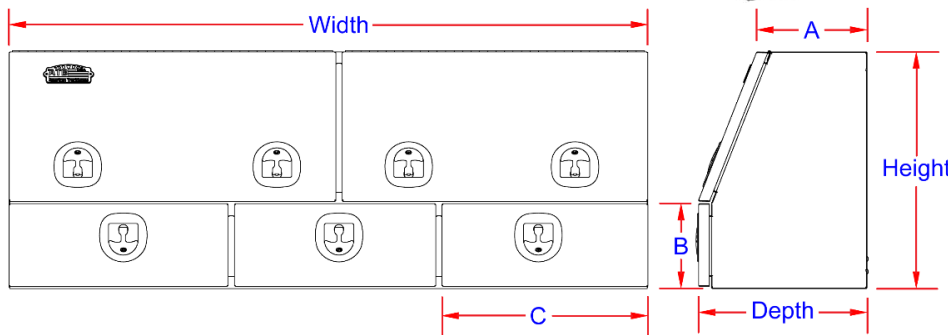
Description

- An engineered 14-gauge high strength steel construction
- Fully seam welded on all seams and corners
- Stainless Steel continuous hinge on full length of lid
- Heavy duty drawer slides
- Channel braced reinforced doors with gas springs
- Lockable SS Dolphin Tail HD adjustable T-handle latch
- Zinc epoxy primer with MR powder baked topcoat finish
- Fully concealed rain gutter, with automotive type weather seal
- Drawers with inside adjustable compartments
- **Optional inside shelf with or without adjustable compartment**
- Mounting kit not included: (Kits Av. = M3200D-DU Series)



Shelves
 21" Height use 12" Upright
 28" Height use 17" Upright
 14" Depth use 6" Shelf
 16" Depth use 8" Shelf
 20" Depth use 12" Shelf

Tool Organizer



Note: *Boxes are available in: Black (XB) and White (XW) Finish – add after part number.

No.	Model Number	Height (in.)	Depth (in.)	Width (in.)	Depth "A" (in.)	Drawer Height "B" (in.)	Drawer Width "C" (in.)	Door Opening Height (in.)	Door Opening Width (in.)	Weight (lb.)
1.	S-DU41-211448SD-*	21	14	48	9.0	7.75	23-5/8	10-13/16	44-7/8	172
2.	S-DU41-211460SD-*	21	14	60	9.0	7.75	29-5/8	10-13/16	56-7/8	210
3.	S-DU41-211472DT-*	21	14	72	9.0	7.75	23-1/2	10-13/16	32-9/16	253
4.	S-DU41-211482DT-*	21	14	82	9.0	7.75	26-13/16	10-13/16	37-9/16	285
5.	S-DU41-211494DT-*	21	14	94	9.0	7.75	30-13/16	10-13/16	43-9/16	317
6.	S-DU41-211636SS-*	21	16	36	11.0	7.75	36	10-13/16	32-7/8	138
7.	S-DU41-211648SD-*	21	16	48	11.0	7.75	23-5/8	10-13/16	44-7/8	190
8.	S-DU41-211660SD-*	21	16	60	11.0	7.75	29-5/8	10-13/16	56-7/8	230
9.	S-DU41-211672DT-*	21	16	72	11.0	7.75	23-1/2	10-13/16	32-9/16	276
10.	S-DU41-211682DT-*	21	16	82	11.0	7.75	26-13/16	10-13/16	37-9/16	308
11.	S-DU41-211694DT-*	21	16	94	11.0	7.75	30-13/16	10-13/16	43-9/16	344
12.	S-DU41-282024SS-*	28	20	24	13.0	9.75	24	16-3/16	21	138
13.	S-DU41-282036SS-*	28	20	36	13.0	9.75	36	16-3/16	33	186
14.	S-DU41-282048SD-*	28	20	48	13.0	9.75	23-5/8	16-3/16	44-7/8	256
15.	S-DU41-282060SD-*	28	20	60	13.0	9.75	29-5/8	16-3/16	56-7/8	305
16.	S-DU41-282072DT-*	28	20	72	13.0	9.75	23-1/2	16-3/16	32-9/16	366
17.	S-DU41-282082DT-*	28	20	82	13.0	9.75	26-13/16	16-3/16	37-9/16	404
18.	S-DU41-282094DT-*	28	20	94	13.0	9.75	30-13/16	16-3/16	43-9/16	451

DU - Drawer Utility Boxes - Aluminum Slanted Top - Bottom Open Drawer(s)

Drawer utility boxes are super heavy duty, high capacity and offer easy access from side of truck or flatbed. Drawers and optional shelves offer great storage and organization. Boxes can be ordered custom size or length. All AMERICAN TRUCKBOXES drawer boxes are designed and built to keep your tools organized and equipment safe and secure.

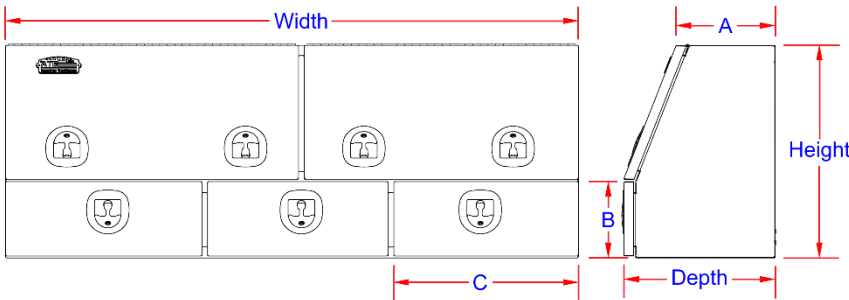
Description

- An engineered .090 (12g) smooth and .100 (12g) tread aluminum
- Fully seam welded on all seams and corners
- Stainless steel continuous hinge on full length of lid
- Heavy duty drawer slides
- Channel braced reinforced doors with gas springs
- Lockable SS Dolphin Tail HD adjustable T-handle latch
- Fully concealed rain gutter, with automotive type weather seal
- Drawers with inside adjustable compartments
- **Optional inside shelf with or without adjustable compartment**
- **Boxes can be ordered in custom sizes**
- Mounting kit not included: (Kits Av. = M3200D-DU Series)



Tool Organize

Powder Coated Black Shown with Shelf



Note: *Boxes are available in: Black (XB) and White (XW) Finish – add after part number.

No.	Model Number	Height (in.)	Depth (in.)	Width (in.)	Depth "A" (in.)	Drawer Height "B" (in.)	Drawer Width "C" (in.)	Door Opening Height (in.)	Door Opening Width (in.)	Weight (lb.)
1.	A-DU41-211448SD-T	21	14	48	9.0	7.75	23-1/8	10-3/8	44-1/2	90
2.	A-DU41-211460SD-T	21	14	60	9.0	7.75	29-1/8	10-3/8	56-1/2	110
3.	A-DU41-211472DT-T	21	14	72	9.0	7.75	23-1/16	10-3/8	32.0	134
4.	A-DU41-211482DT-T	21	14	82	9.0	7.75	26-3/8	10-3/8	37.0	148
5.	A-DU41-211494DT-T	21	14	94	9.0	7.75	30-3/8	10-3/8	43.0	168
6.	A-DU41-211636SS-T	21	16	36	11.0	7.75	36	10-3/8	32-1/2	68
7.	A-DU41-211648SD-T	21	16	48	11.0	7.75	23-1/8	10-3/8	44-1/2	100
8.	A-DU41-211660SD-T	21	16	60	11.0	7.75	29-1/8	10-3/8	56-1/2	121
9.	A-DU41-211672DT-T	21	16	72	11.0	7.75	23-1/16	10-3/8	32.0	148
10.	A-DU41-211682DT-T	21	16	82	11.0	7.75	26-3/8	10-3/8	37.0	164
11.	A-DU41-211694DT-T	21	16	94	11.0	7.75	30-3/8	10-3/8	43.0	184
12.	A-DU41-282024SS-T	28	20	24	13.0	9.75	24	15-3/4	20-1/2	69
13.	A-DU41-282036SS-T	28	20	36	13.0	9.75	36	15-3/4	32-1/2	95
14.	A-DU41-282048SD-T	28	20	48	13.0	9.75	23-1/8	15-3/4	44-1/2	136
15.	A-DU41-282060SD-T	28	20	60	13.0	9.75	29-1/8	15-3/4	56-1/2	162
16.	A-DU41-282072DT-T	28	20	72	13.0	9.75	23-1/16	15-3/4	32.0	242
17.	A-DU41-282082DT-T	28	20	82	13.0	9.75	26-3/8	15-3/4	37.0	261
18.	A-DU41-282094DT-T	28	20	94	13.0	9.75	30-3/8	15-3/4	43.0	285

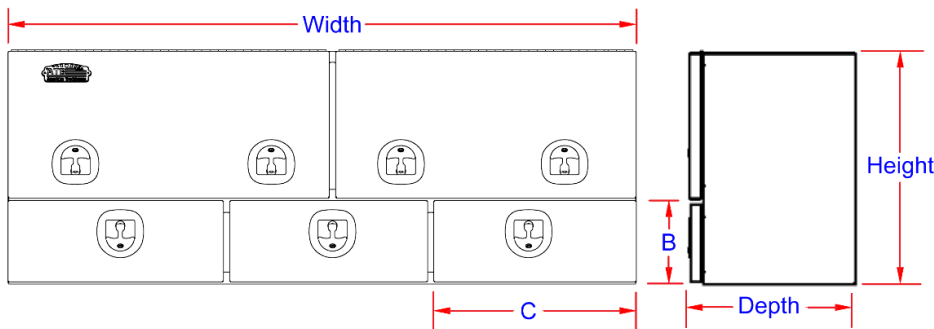
DU - Drawer Utility Boxes - Steel Straight Top - Bottom Open Drawer(s)

Drawer utility boxes are super heavy duty, high capacity and offer easy access from side of truck or flatbed. Drawers and optional shelves offer great storage and organization. Boxes can be ordered custom size or length. All AMERICAN TRUCKBOXES drawer boxes are designed and built to keep your tools organized and equipment safe and secure.

Description

- An engineered 14 gauge high strength steel construction
- Fully seam welded on all seams and corners
- Stainless steel continuous hinge on full length of door
- Heavy duty drawer slides
- Channel braced reinforced doors with gas springs
- Lockable SS Dolphin Tail HD adjustable T-handle latch
- Zinc epoxy primer with MR powder baked topcoat finish
- Fully concealed rain gutter, with automotive type weather seal
- Drawers with inside adjustable compartments
- **Optional inside shelf with or without adjustable compartment**
- Mounting kit not included: (Kits Av. = M3200D-DU Series)

Shelves
 21" Height use 12" Upright
 28" Height use 17" Upright
 14" Depth use 10" Shelf
 16" Depth use 12" Shelf
 20" Depth use 16" Shelf



Note: *Boxes are available in: **Black (XB) and White (XW) Finish** – add after part number. Boxes can be ordered in Custom Size.

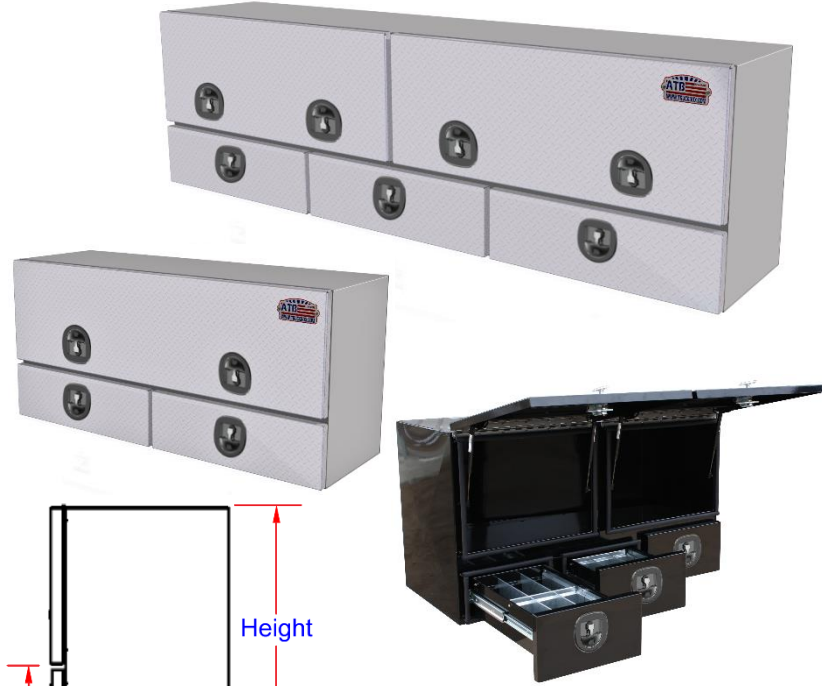
No.	Model Number	Height (in.)	Depth (in.)	Width (in.)	Drawer Height "B" (in.)	Drawer Width "C" (in.)	Door Opening Height (in.)	Door Opening Width (in.)	Weight (lb.)
1.	S-DU42-211448SD-*	21	14	48	7.75	23-5/8	10-13/16	44-7/8	178
2.	S-DU42-211460SD-*	21	14	60	7.75	29-5/8	10-13/16	56-7/8	215
3.	S-DU42-211472DT-*	21	14	72	7.75	23-1/2	10-13/16	32-9/16	260
4.	S-DU42-211482DT-*	21	14	82	7.75	26-13/16	10-13/16	37-9/16	290
5.	S-DU42-211494DT-*	21	14	94	7.75	30-13/16	10-13/16	43-9/16	324
6.	S-DU42-211636SS-*	21	16	36	7.75	36	10-13/16	32-7/8	142
7.	S-DU42-211648SD-*	21	16	48	7.75	23-5/8	10-13/16	44-7/8	195
8.	S-DU42-211660SD-*	21	16	60	7.75	29-5/8	10-13/16	56-7/8	236
9.	S-DU42-211672DT-*	21	16	72	7.75	23-1/2	10-13/16	32-9/16	284
10.	S-DU42-211682DT-*	21	16	82	7.75	26-13/16	10-13/16	37-9/16	316
11.	S-DU42-211694DT-*	21	16	94	7.75	30-13/16	10-13/16	43-9/16	354
12.	S-DU42-282036SD-*	28	20	36	9.75	36	16-3/16	32-7/8	142
13.	S-DU42-282048SD-*	28	20	48	9.75	23-5/8	16-3/16	44-7/8	192
14.	S-DU42-282060SD-*	28	20	60	9.75	29-5/8	16-3/16	56-7/8	264
15.	S-DU42-282072DT-*	28	20	72	9.75	23-1/2	16-3/16	32-9/16	376
16.	S-DU42-282082DT-*	28	20	82	9.75	26-13/16	16-3/16	37-9/16	416
17.	S-DU42-282094DT-*	28	20	94	9.75	30-13/16	16-3/16	43-9/16	464

DU - Drawer Utility Boxes - Aluminum Straight Top - Bottom Open Drawer(s)

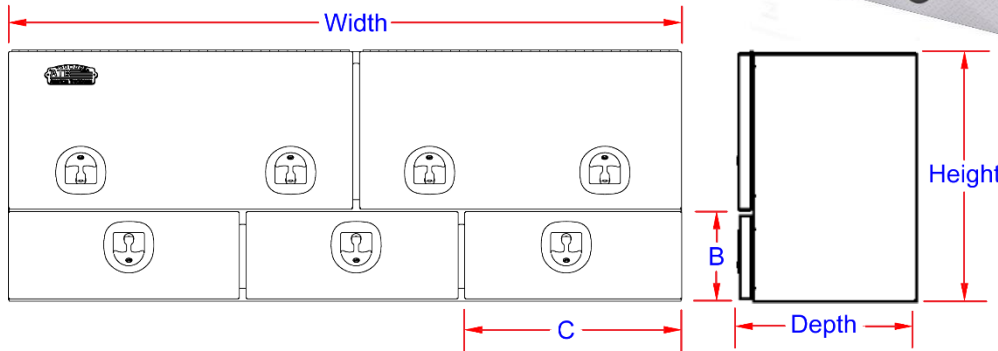
Drawer utility boxes are super heavy duty, high capacity and offer easy access from side of truck or flatbed. Drawers and optional shelves offer great storage and organization. Boxes can be ordered custom size or length. All AMERICAN TRUCKBOXES drawer boxes are designed and built to keep your tools organized and equipment safe and secure.

Description

- An engineered .090 (12g) smooth and .100 (12g) tread aluminum
- Fully seam welded on all seams and corners
- Stainless steel continuous hinge on full length of door
- Heavy duty drawer slides
- Channel braced reinforced doors with gas springs
- Lockable SS Dolphin Tail HD adjustable T-handle latch
- Fully concealed rain gutter, with automotive type weather seal
- Drawers with inside adjustable compartments
- **Optional inside shelf with or without adjustable compartment**
- Mounting kit not included: (Kits Av. = M3200D-DU Series)



Powder Coated Black Shown with Shelf



Note: *Boxes are available in: Black (XB) and White (XW) Finish – add after part number. Boxes can be ordered in Custom Size.

No.	Model Number	Height (in.)	Depth (in.)	Width (in.)	Drawer Height "B" (in.)	Drawer Width "C" (in.)	Door Opening Height (in.)	Door Opening Width (in.)	Weight (lb.)
1.	A-DU42-211448SD-T	21	14	48	7.75	23-1/8	10-3/8	44-1/2	92
2.	A-DU42-211460SD-T	21	14	60	7.75	29-1/8	10-3/8	56-1/2	112
3.	A-DU42-211472DT-T	21	14	72	7.75	23-1/16	10-3/8	32.0	138
4.	A-DU42-211482DT-T	21	14	82	7.75	26-3/8	10-3/8	37.0	152
5.	A-DU42-211488DT-T	21	14	88	7.75	28-3/8	10-3/8	40.0	165
6.	A-DU42-211490DT-T	21	14	90	7.75	29-1/16	10-3/8	41.0	167
7.	A-DU42-211494DT-T	21	14	94	7.75	30-3/8	10-3/8	43.0	172
8.	A-DU42-211636SS-T	21	16	36	7.75	36	10-3/8	32-1/2	70
9.	A-DU42-211648SD-T	21	16	48	7.75	23-1/8	10-3/8	44-1/2	102
10.	A-DU42-211660SD-T	21	16	60	7.75	29-1/8	10-3/8	56-1/2	125
11.	A-DU42-211672DT-T	21	16	72	7.75	23-1/16	10-3/8	32.0	152
12.	A-DU42-211682DT-T	21	16	82	7.75	26-3/8	10-3/8	37.0	168
13.	A-DU42-211694DT-T	21	16	94	7.75	30-3/8	10-3/8	43.0	188
14.	A-DU42-282036SS-T	28	20	36	9.75	36	15-3/4	32-1/2	98
15.	A-DU42-282048SD-T	28	20	48	9.75	23-1/8	15-3/4	44-1/2	140
16.	A-DU42-282060SD-T	28	20	60	9.75	29-1/8	15-3/4	56-1/2	167
17.	A-DU42-282072DT-T	28	20	72	9.75	23-1/16	15-3/4	32.0	248
18.	A-DU42-282082DT-T	28	20	82	9.75	26-3/8	15-3/4	37.0	268
19.	A-DU42-282094DT-T	28	20	94	9.75	30-3/8	15-3/4	43.0	294

SU - Top Side Mount Compartment Utility Boxes - Aluminum Slanted Top - Bottom Open Door(s)

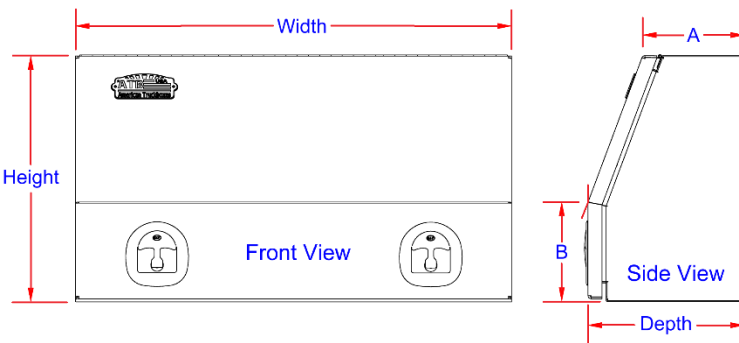
Top side mount compartment utility boxes are super heavy duty, high capacity and offer easy access from side of truck or flatbed. Bottom compartments and optional shelves offer great storage and organization. Boxes can be ordered custom size or length. All AMERICAN TRUCKBOXES drawer boxes are designed and built to keep your tools organized and equipment safe and secure.

Description

- An engineered .090 (12g) smooth and .100 (12g) tread aluminum
- Fully seam welded on all seams and corners
- Stainless steel continuous hinge on full length of door
- Channel braced reinforced doors with gas springs
- Lockable SS Dolphin Tail HD adjustable T-handle latch
- Fully concealed rain gutter, with automotive type weather seal
- Lower compartment
- **Optional additional inside shelf.**
- Boxes are designed to mount on pickup rail between pipe rack
- Mounting kit Available: M3200D-DU or M3500T(TT) Series)



Shelves
21" Height use 12" Upright
14" Depth use 6" Shelf



Note: Boxes can be ordered in Custom Size!

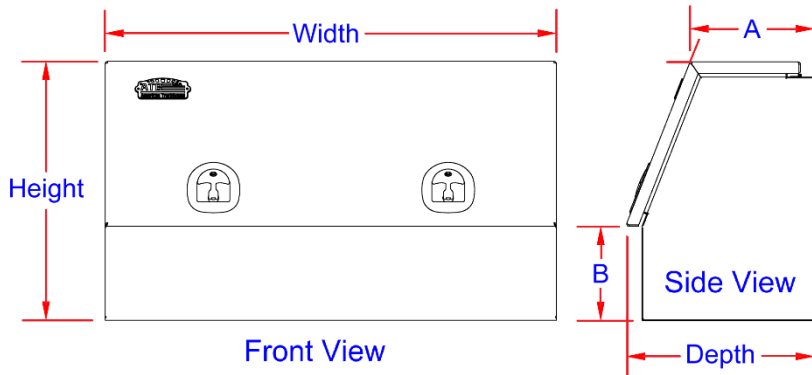
No.	Model Number	Height (in.)	Depth (in.)	Width (in.)	Depth "A" (in.)	Bottom Height "B" (in.)	Top Opening Height (in.)	Door Opening Width (in.)	Weight (lb.)
1.	A-SU41-211436S-T	21	14	36	9.0	7.5	10-1/2	32-1/2	42
2.	A-SU41-211448S-T	21	14	48	9.0	7.5	10-1/2	44-1/2	56
3.	A-SU41-211460S-T	21	14	60	9.0	7.5	10-1/2	56-1/2	68
4.	A-SU41-211472S-T	21	14	72	9.0	7.5	10-1/2	68-1/2	80
5.	A-SU41-211482S-T	21	14	82	9.0	7.5	10-1/2	78-1/2	92
6.	A-SU41-211488S-T	21	14	88	9.0	7.5	10-1/2	84-1/2	98
7.	A-SU41-211648S-T	21	16	48	11.0	7.5	10-1/2	44-1/2	60
8.	A-SU41-211660S-T	21	16	60	11.0	7.5	10-1/2	56-1/2	73
9.	A-SU41-211672S-T	21	16	72	11.0	7.5	10-1/2	68-1/2	87
10.	A-SU41-282048S-T	28	20	48	13.0	9.75	15-1/2	44-1/2	76
11.	A-SU41-282060S-T	28	20	60	13.0	9.75	15-1/2	56-1/2	94
12.	A-SU41-282072S-T	28	20	72	13.0	9.75	15-1/2	68-1/2	112
13.	A-SU41-211482D-T	21	14	82	9.0	7.5	10-1/2	37-1/2	96
14.	A-SU41-211488D-T	21	14	88	9.0	7.5	10-1/2	40-1/2	102
15.	A-SU41-211490D-T	21	14	90	9.0	7.5	10-1/2	41-1/2	106
16.	A-SU41-211494D-T	21	14	94	9.0	7.5	10-1/2	43-1/2	110
17.	A-SU41-211682D-T	21	16	82	11.0	7.5	10-1/2	37-1/2	102
18.	A-SU41-211688D-T	21	16	88	11.0	7.5	10-1/2	40-1/2	110
19.	A-SU41-211690D-T	21	16	90	11.0	7.5	10-1/2	41-1/2	116
20.	A-SU41-211694D-T	21	19	94	11.0	7.5	10-1/2	43-1/2	122

TU – Top Side Utility Boxes - Steel & Aluminum – Top Open Door(s)

Top side utility boxes are super heavy duty, high capacity and offer easy access from side of truck or flatbed. Optional shelves offer great storage and organization. Boxes can be ordered custom size or length. All AMERICAN TRUCKBOXES drawer boxes are designed and built to keep your tools organized and equipment safe and secure.

Description

- An engineered .090 (12g) smooth and .100 (12g) tread aluminum
- An engineered 14 gauge high strength steel construction
- Fully seam welded on all seams and corners
- Stainless Steel continuous hinge on full length of lid
- Channel braced reinforced doors with gas springs
- Lockable SS Dolphin Tail HD adjustable T-handle latch
- Zinc epoxy primer with MR powder baked topcoat finish
- Fully concealed rain gutter, with automotive type weather seal
- **Optional inside shelf with or without adjustable compartment**
- Mounting kit not included: (Kits Av. = M3200D-DU Series)



Note: *Boxes are available in: Black (XB) and White (XW) Finish – add after part number. Boxes can be ordered in Custom Size.

No.	Model Number	Material	Height (in.)	Depth (in.)	Width (in.)	Depth "A" (in.)	Front Height "B" (in.)	Door Opening Height (in.)	Door Opening Width (in.)	Weight (lb.)
1.	A-TU41-191443S-T	.090 S/.100 TP	19	14	43	9.0	6.00	14-13/16	39-7/8	36
2.	A-TU41-211448S-T	.090 S/.100 TP	21	14	48	9.0	8.00	14-13/16	44-7/8	42
3.	A-TU41-211472D-T	.090 S/.100 TP	21	14	72	9.0	8.00	14-13/16	32.9/16	62
4.	A-TU41-211494D-T	.090 S/.100 TP	21	14	94	9.0	8.00	14-13/16	43.9/16	78
5.	A-TU41-211648S-T	.090 S/.100 TP	21	16	48	11.0	8.00	14-13/16	44-7/8	46
6.	A-TU41-211672D-T	.090 S/.100 TP	21	16	72	11.0	8.00	14-13/16	32.9/16	64
7.	A-TU41-211694D-T	.090 S/.100 TP	21	16	94	11.0	8.00	14-13/16	43.9/16	82
8.	A-TU41-282048S-T	.090 S/.100 TP	28	20	48	13.0	10.00	20-3/16	44-7/8	60
9.	A-TU41-282072D-T	.090 S/.100 TP	28	20	72	13.0	10.00	20-3/16	32.9/16	86
10.	A-TU41-282094D-T	.090 S/.100 TP	28	20	94	13.0	10.00	20-3/16	43.9/16	108
11.	S-TU41-211448S-*	14 gauge	21	14	48	9.0	8.00	14-13/16	44-7/8	98
12.	S-TU41-211472D-*	14 gauge	21	14	72	9.0	8.00	14-13/16	32-9/16	142
13.	S-TU41-211494D-*	14 gauge	21	14	94	9.0	8.00	14-13/16	43-9/16	178
14.	S-TU41-211648S-*	14 gauge	21	16	48	11.0	8.00	14-13/16	44-7/8	104
15.	S-TU41-211672D-*	14 gauge	21	16	72	11.0	8.00	14-13/16	32-9/16	150
16.	S-TU41-211694D-*	14 gauge	21	16	94	11.0	8.00	14-13/16	43-9/16	188
17.	S-TU41-282048S-*	14 gauge	28	20	48	13.0	10.00	20-3/16	44-7/8	138
18.	S-TU41-282072D-*	14 gauge	28	20	72	13.0	10.00	20-3/16	32-9/16	198
19.	S-TU41-282094D-*	14 gauge	28	20	94	13.0	10.00	20-3/16	43-9/16	248

CP – Cross-Pack Service Boxes – Steel & Aluminum – Both End Double Side Open Doors

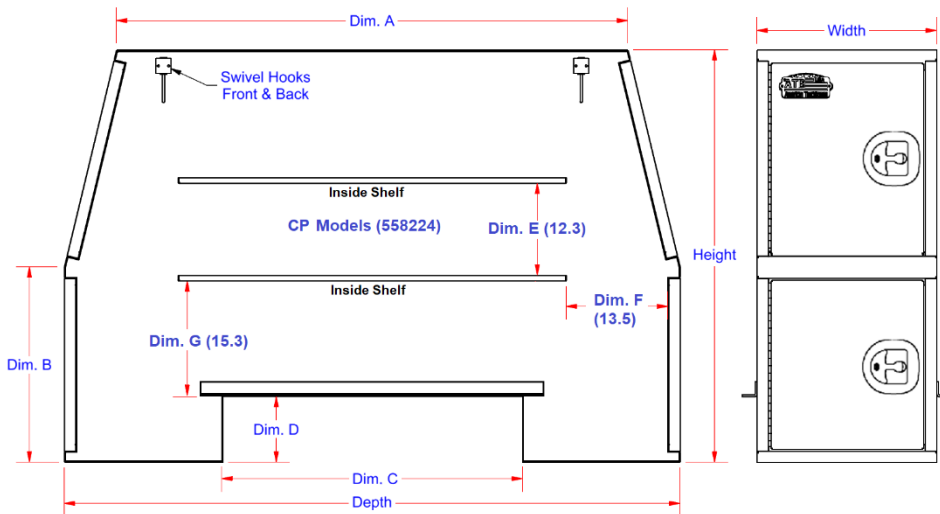
Cross-pack service boxes are heavy duty, high capacity and offer easy access to your equipment. Boxes are mounted behind truck cab on truck frame. These boxes are perfect for storing your equipment, tools and personal gear. Cross-pack boxes are available in different sizes and can be ordered custom size. All AMERICAN TRUCKBOXES boxes are designed and built to keep your equipment safe and secure.

Description

- An engineered steel or aluminum construction
- Fully seam welded on all seams and corners
- Stainless steel continuous hinge on full length of door
- Channel braced reinforced door with gas springs
- Lockable SS Dolphin Tail HD adjustable T-handle latch
- Built-in frame mounting rails for easy installation
- Rain gutter and automotive type weather seal
- Stationary shelves and two J-hooks on either side
- Zinc epoxy primer with MR powder baked topcoat finish
- **Optional service boxes (see chart)**
- **Mounting kit not included: Kit available M3450C**



Shown with Optional Service Boxes



No.	Model Number	Material	Height (in.)	Depth (in.)	Width (in.)	Dim. A (In.)	Dim. B (in.)	Dim. C (in.)	Dim. D (in.)	Service Boxes (K)	Weight (lb.)
1.	A-CP51-558224-S	10g Aluminum	55	82	24	68	26	40	8.75	15x21x24-30	300
2.	A-CP51-558524-S	10g Aluminum	55	85	24	71	26	40	9.1	15x21x24-30	310
3.	A-CP51-559224-S	10g Aluminum	55	92	24	78	26	40	8.75	15x21x24-30	335
4.	A-CP51-589224-S	10g Aluminum	58	92	24	78	28	40	8.75	15x21x24-30	354
5.	A-CP51-628224-S	10g Aluminum	62	82	24	68	40	40	16.75	18x21x30-36	340
6.	A-CP51-658224-S	10g Aluminum	65	82	24	68	26	40	13.75	15x21-30-36	356
7.	A-CP51-708224-S	10g Aluminum	70	82	24	68	48	40	16.75	18x21x30-36	385
8.	S-CP41-558224-*	14g Steel	55	82	24	68	26	40	8.75	15x21x24-30	489
9.	S-CP41-558524-*	14/12g Steel	55	85	24	71	26	40	9.1	15x21x24-30	508
10.	S-CP41-559224-*	14/12g Steel	55	92	24	78	26	40	8.75	15x21x24-30	550
11.	S-CP41-589224-*	14/12g Steel	58	92	24	78	28	40	8.75	15x21x24-30	580
12.	S-CP41-628224-*	14/12g Steel	62	82	24	68	40	40	16.75	18x21x30-36	555
13.	S-CP41-658224-*	14/12g Steel	65	82	24	68	26	40	13.75	15x21-30-36	580
14.	S-CP41-708224-*	14/12g Steel	70	82	24	68	48	40	16.75	18x21x30-36	625

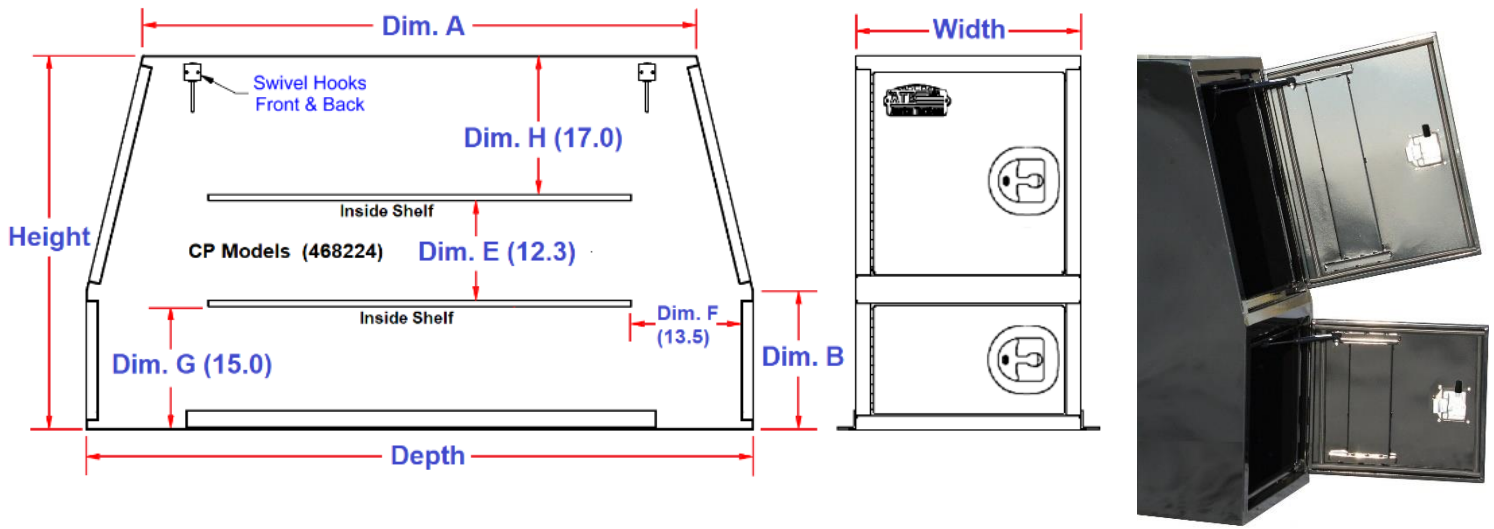
Note: *Boxes are available in: Black (XB) and White (XW) Finish – add after part number.

CP – Cross-Pack Service Boxes – Steel & Aluminum – Both End Double Side Open Doors

Cross-pack service boxes are heavy duty, high capacity and offer easy access to your equipment. Boxes are mounted behind truck cab on truck frame and/or flatbed. These boxes are perfect for storing your equipment, tools and personal gear. Cross-pack boxes are available in different sizes and can be ordered custom size. All AMERICAN TRUCKBOXES boxes are designed and built to keep your equipment safe and secure.



Description
• An engineered steel or aluminum construction
• Fully seam welded on all seams and corners
• Stainless steel continuous hinge on full length of door
• Channel braced reinforced door with gas springs
• Lockable SS Dolphin Tail HD adjustable T-handle latch
• Built-in frame mounting rails for easy installation CP Boxes
• Rain gutter and automotive type weather seal
• Stationary shelves and two J-hooks on either side
• Zinc epoxy primer with MR powder baked topcoat finish
• Mounting kit not included: Kit available M3450C



No.	Model Number	Material	Height (in.)	Depth (in.)	Width (in.)	Dim. A (In.)	Dim. B (in.)	Dim. E (in.)	Dim. G (in.)	Dim. H (in.)	Weight (lb.)
1.	A-CP54-468224-S	.125 Aluminum	46	82	24	68	17	12.3	15	17	270
2.	A-CP54-598524-S	.125 Aluminum	59	85	24	71	30	12.3	28	17	352
3.	S-CP44-468224-*	14g Steel	46	82	24	68	17	12.3	15	17	440
4.	S-CP44-598524-*	14g Steel	59	85	24	71	30	12.3	28	17	520

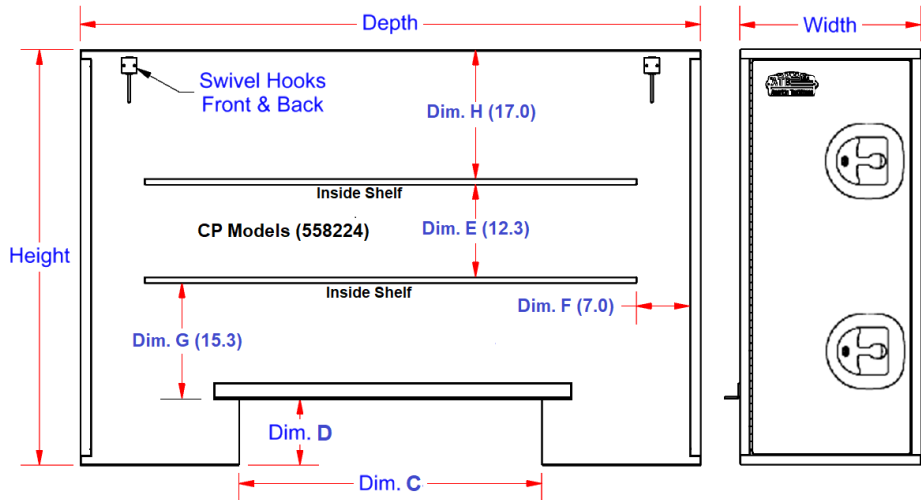
Note: *Boxes are available in: Black (XB) and White (XW) Finish – add after part number.

CP – Cross-Pack Service Boxes – Steel & Aluminum – Both End Double Open Doors

Cross-pack service boxes are heavy duty, high capacity and offer easy access to your equipment. Boxes are mounted behind truck cab on truck frame. These boxes are perfect for storing your equipment, tools and personal gear. Cross-pack boxes are available in different sizes and can be ordered custom size. All AMERICAN TRUCKBOXES boxes are designed and built to keep your equipment safe and secure.

Description

- An engineered steel or aluminum construction
- Fully seam welded on all seams and corners
- Stainless steel continuous hinge on full length of door
- Channel braced reinforced door with gas springs
- Lockable SS Dolphin Tail HD adjustable T-handle latch
- Built-in frame mounting rails for easy installation
- Rain gutter and automotive type weather seal
- Stationary shelves and two J-hooks on either side
- Optional drawers in box available
- Zinc epoxy primer with MR powder baked topcoat finish
- Mounting kit not included: Kit available M3450C



No.	Model Number	Material	Height (in.)	Depth (in.)	Width (in.)	Dim. C (in.)	Dim. D (in.)	Dim. E (in.)	Dim. G (in.)	Dim. H (in.)	Weight (lb.)
1.	A-CP52-558224S-S	10g Aluminum	55	82	24	40	8.75	12.3	15.3	17.0	298
2.	A-CP52-558524S-S	10g Aluminum	57	85	24	40	8.75	12.3	17.3	17.0	312
3.	A-CP52-579524S-S	10g Aluminum	57	95	24	40	8.75	12.3	17.3	17.0	348
4.	A-CP52-629524S-S	10g Aluminum	62	95	24	40	16.75	12.3	22.3	17.0	390
5.	S-CP42-558224S-*	14g Steel	55	82	24	40	8.75	12.3	15.3	17.0	528
6.	S-CP42-578524S-*	14g Steel	57	85	24	40	8.75	12.3	17.3	17.0	545
7.	S-CP42-579524S-*	14/12g Steel	57	95	24	40	8.75	12.3	17.3	17.0	645
8.	S-CP42-629524S-*	14/12g Steel	62	95	24	40	16.75	12.3	22.3	17.0	675

Note: *Boxes are available in: Black (XB) and White (XW) Finish – add after part number.

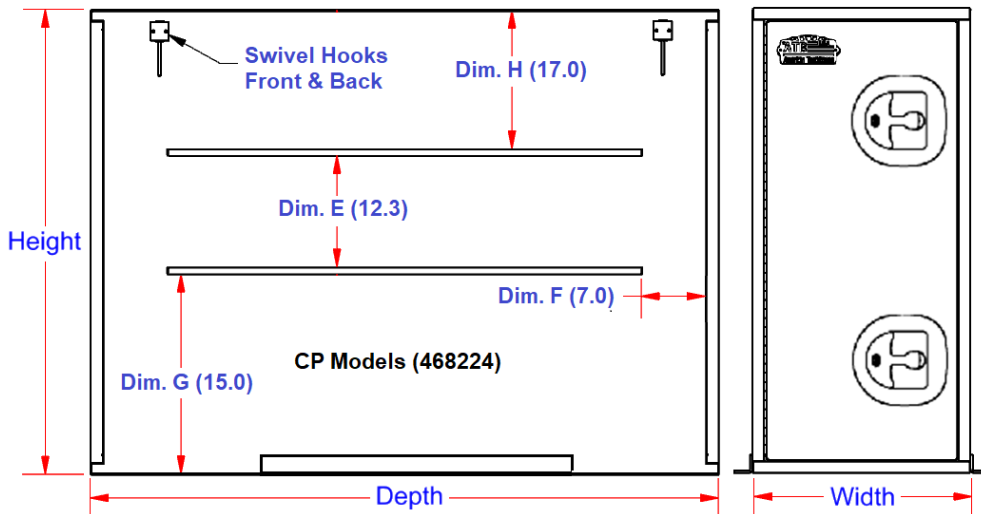
CP – Cross-Pack Service Boxes – Steel & Aluminum – Both End Double Open Doors

Cross-pack service boxes are heavy duty, high capacity and offer easy access to your equipment. Boxes are mounted behind truck cab on truck frame. These boxes are perfect for storing your equipment, tools and personal gear. Cross-pack boxes are available in different sizes and can be ordered custom size. All AMERICAN TRUCKBOXES boxes are designed and built to keep your equipment safe and secure.

Description
• An engineered steel or aluminum construction
• Fully seam welded on all seams and corners
• Stainless steel continuous hinge on full length of door
• Channel braced reinforced door with gas springs
• Lockable SS Dolphin Tail HD adjustable T-handle latch
• Built-in frame mounting rails for easy installation
• Rain gutter and automotive type weather seal
• Stationary shelves and two J-hooks on either side
• Optional drawers in box available
• Zinc epoxy primer with MR powder baked topcoat finish
• Mounting kit not included: Kit available M3450C



Single Door (Standard)



Double Door (Optional)

Note: *Boxes are available in: Black (B) and White (W) Finish – add after part number.

No.	Model Number	Material	Drawers	Height (in.)	Depth (in.)	Width (in.)	Dim. E (in.)	Dim. G (in.)	Dim. H (in.)	Weight (lb.)
1.	A-CP55-468224S-S	10g Aluminum	None	46	82	24	12.3	15.0	17.0	262
2.	A-CP55-469524S-S	10g Aluminum	None	46	95	24	12.3	15.0	17.0	358
3.	A-CP55-489624S-S	10g Aluminum	None	48	96	24	12.3	17.0	17.0	398
4.	S-CP45-468224S-*	14g Steel	None	46	82	24	12.3	15.0	17.0	458
5.	S-CP45-469524S-*	14g Steel	None	46	95	24	12.3	15.0	17.0	510
6.	S-CP45-489624S-*	14g Steel	None	48	96	24	12.3	17.0	17.0	515

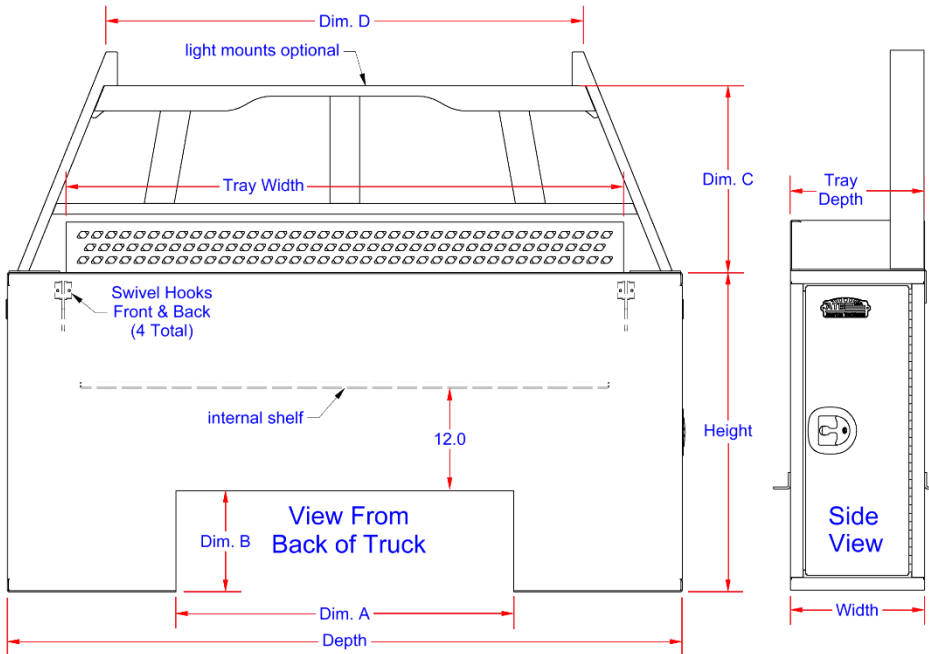
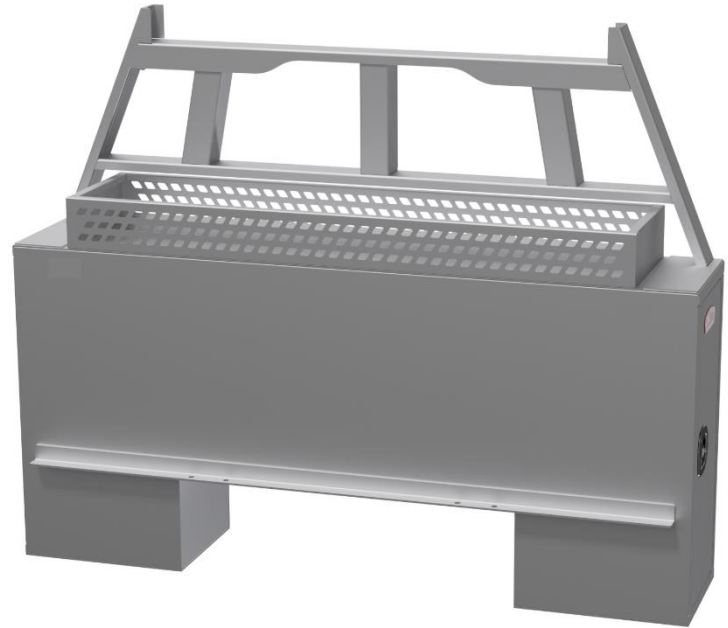
Note: *Boxes are available in: Black (XB) and White (XW) Finish – add after part number.

EP – Electric Cross-Pack Contractor Service Boxes – Aluminum – Both End Doors

Cross-pack service boxes are heavy duty, high capacity and offer easy access to your equipment. Boxes are mounted behind truck cab on truck frame. These boxes are perfect for storing your equipment, tools and personal gear. Cross-pack boxes are available in different sizes and can be ordered custom size. All AMERICAN TRUCKBOXES boxes are designed and built to keep your equipment safe and secure.

Description

- An engineered aluminum construction
- Fully seam welded on all seams and corners
- Stainless steel continuous hinge on full length of door
- Channel braced reinforced door with gas springs
- Lockable SS Dolphin Tail HD adjustable T-handle latch
- Built-in frame mounting rails for easy installation
- Rain gutter and automotive type weather seal
- Stationary shelf and J-hooks on either side
- Optional powder coated baked-on finish
- Top open tray with Tri-Rect drain holes and headache rack
- Optional drawers in box available
- Optional Service boxes (12”h x14”d x20”w) - (12”h x19”d x20”w)
- Mounting kit not included: Kit available M3450C



Shown with optional Side Boxes.

No.	Model Number	Material	Height (in.)	Depth (in.)	Width (in.)	Dim. A (In.)	Dim. B (in.)	Dim. C (in.)	Dim. D (in.)	Side Boxes	Weight (lb.)
1.	A-EP52-388016S-T	10g Alum	38	80	16	40	12	22.2	56.5	No	260
1.A	A-EP52-388016S-TK	10g Alum	38	80	16	40	12	22.2	56.5	Yes	294
2.	A-EP52-389016S-T	10g Alum	38	90	16	40	12	22.2	66.5	No	295
2.A	A-EP52-389016S-TK	10g Alum	38	90	16	40	12	22.2	66.5	Yes	336

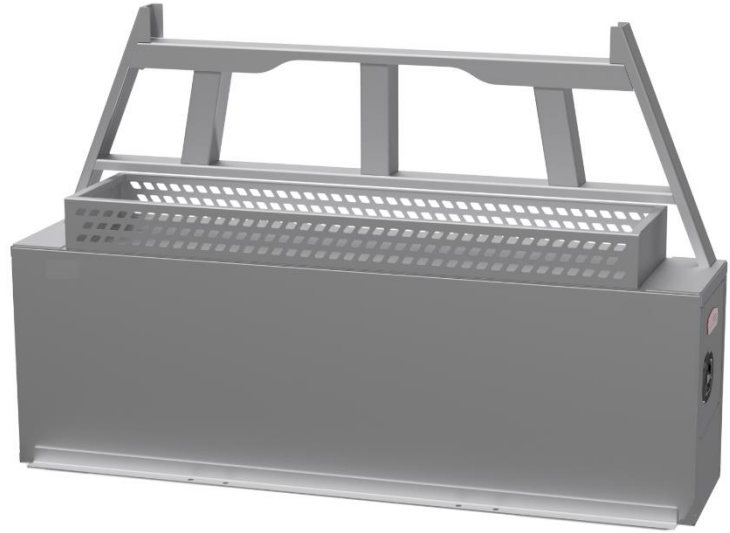
Note: *Boxes are available in: Black (XB) and White (XW) Finish – add after part number.

HP – Hotshot Cross-Pack Boxes – Aluminum – Both End Doors

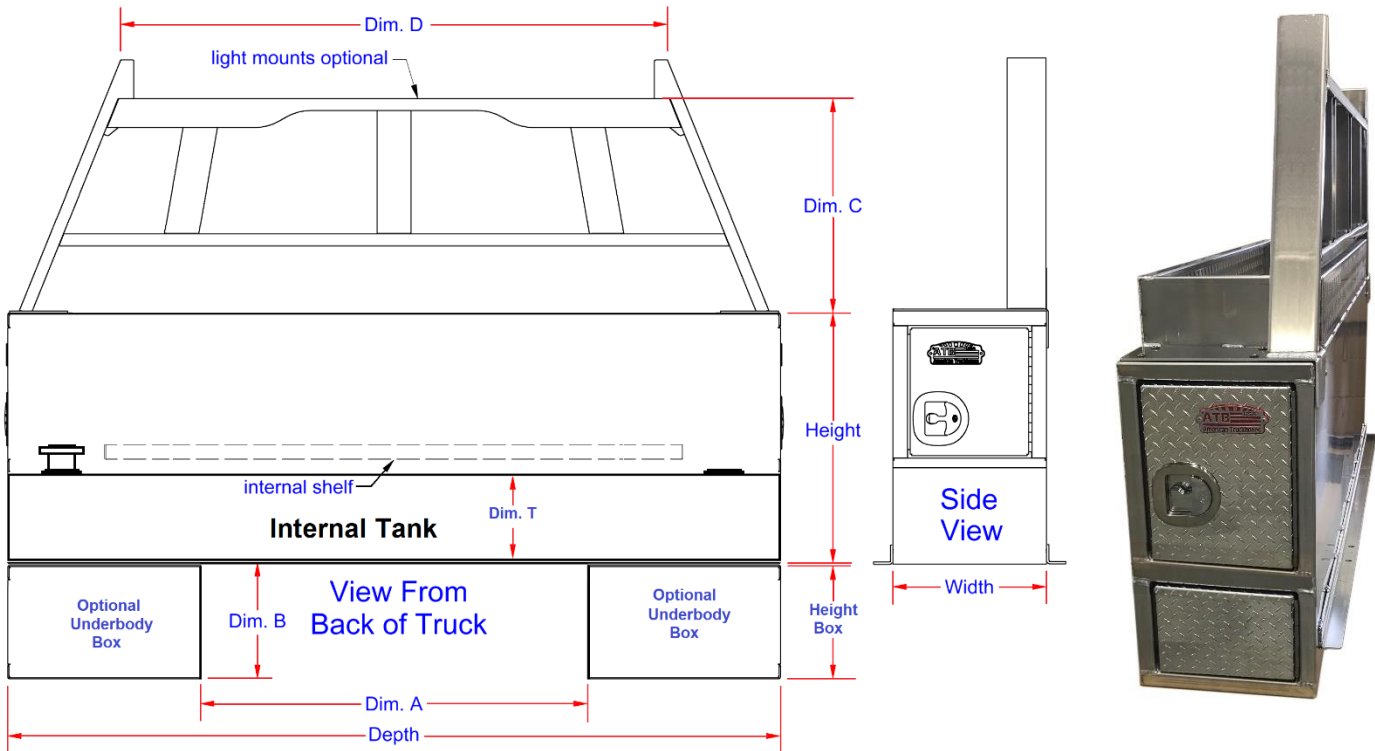
Hotshot Cross-Pack service boxes are heavy duty, high capacity and offer easy access to your equipment. Boxes are mounted behind truck cab on truck frame. These boxes are perfect for storing your equipment, tools and personal gear. Cross-pack boxes are available in different sizes and can be ordered custom size. All AMERICAN TRUCKBOXES boxes are designed and built to keep your equipment safe and secure.

Description

- An engineered aluminum construction
- Fully seam welded on all seams and corners
- Stainless steel continuous hinge on full length of door
- Channel braced reinforced door with gas springs
- Lockable SS Dolphin Tail HD adjustable T-handle latch
- Built-in frame mounting rails for easy installation
- Rain gutter and automotive type weather seal
- Internal stationary shelf & tank with filler cap
- Optional powder coated baked-on finish
- Headache rack & optional top open tray
- Optional drawers in box available
- Optional Service boxes (16”h x16”d x24”w) - (16”h x19”d x36”w)
- Mounting kit not included: Kit available M3450C



Shown with optional Tray



*Add width of boxes to part number

No.	Model Number	Material	Height (in.)	Depth (in.)	Width (in.)	Dim. A (in.)	Dim. B (in.)	Dim. C (in.)	Dim. D (in.)	Side Boxes (in.)	Tank Capacity (Gal.)	Weight (lb.)
1.	A-HP51-268016S-T	10g Alum	26	80	16	48	16	23	64	No	14”H/64	312
1.A	A-HP52-268016S-TK*	10g Alum	26	80	16	48	16	23	64	Yes-20	14”H/64	337
2.	A-HP52-269016S-T	10g Alum	26	90	16	52	16	23	74	No	14”H/72	352
2.A	A-HP52-269016S-TK*	10g Alum	26	90	16	52	16	23	74	Yes-36	14”H/72	390

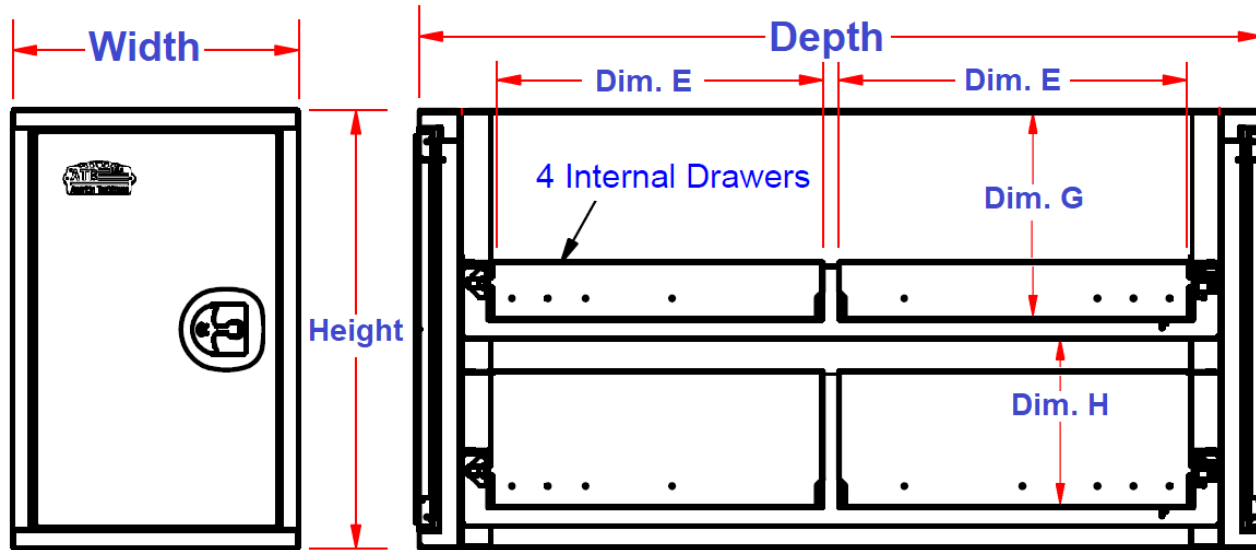
Note: *Boxes are available in: Black (XB) and White (XW) Finish – add after part number.

CRD - Cargo Drawers Boxes – Steel & Aluminum Single Both End Doors

Cargo drawer boxes are super heavy duty, high capacity and offer easy access from side of truck or trailer. Boxes can be mounted on back of your truck or on your flatbed or trailer. These boxes are perfect for storing tools, hardware, fasteners and many other small parts. Cargo boxes are available in different sizes, and can be ordered custom size. All AMERICAN TRUCKBOXES boxes are designed and built to keep your equipment safe and secure.

Description

- An engineered steel and/or aluminum construction
- Fully seam welded on all seams and corners
- Stainless steel continuous hinge on full length of door
- Fully concealed rain gutter with automotive weather seal
- Lockable SS Dolphin Tail HD adjustable T-handle latch
- Zinc epoxy primer with MR powder baked topcoat finish
- Galvanized 18g hemmed adjustable dividers
- HD drawers with inside adjustable compartments
- Boxes are available in custom size
- Mounting kit not included



CRD Models with four drawers

Note: *Boxes are available in: Black (XB) and White (XW) Finish – add after part number.

No.	Model Number	Material	Drawers	Height (in.)	Depth (in.)	Width (in.)	Dim. E (in.)	Dim. G (in.)	Dim. H (in.)	Weight (lb.)
1.	A-CRD55-278021S-S4	.125 Aluminum	Yes/4	27	80	21	32	6	15	220
2.	S-CRD45-278021S-*4	14g Steel	Yes/4	27	80	21	32	6	15	375

Note: Boxes are available in different configuration and custom sizes; call the factory for different sizes and options.

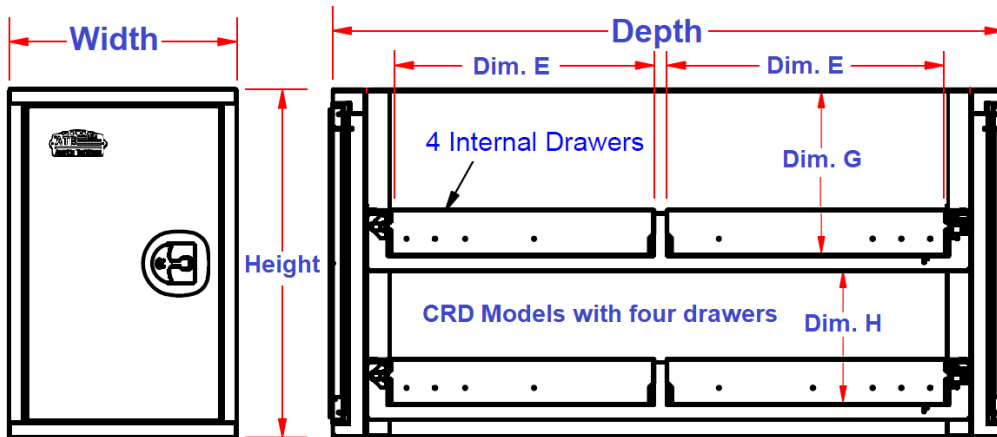
CRD - Cargo Drawers Boxes – Steel & Aluminum Single Both End Doors

Cargo drawer boxes are super heavy duty, high capacity and offer easy access from side of truck or trailer. Boxes can be mounted on back of your truck or on your flatbed or trailer. These boxes are perfect for storing tools, hardware, fasteners and many other small parts. Cargo boxes are available in different sizes, and can be ordered custom size. All AMERICAN TRUCKBOXES boxes are designed and built to keep your equipment safe and secure.



Description

- An engineered steel and/or aluminum construction
- Fully seam welded on all seams and corners
- Stainless steel continuous hinge on full length of door
- Fully concealed rain gutter with automotive weather seal
- Lockable SS Dolphin Tail HD adjustable T-handle latch
- Zinc epoxy primer with MR powder baked topcoat finish
- Gas springs to support doors
- Galvanized 18g hemmed adjustable dividers
- HD drawers with inside adjustable compartments
- Boxes are available in custom size
- Mounting kit not included



Note: *Boxes are available in: Black (XB) and White (XW) Finish – add after part number.

No.	Model Number	Material	Drawers	Height (in.)	Depth (in.)	Width (in.)	Dim. E (in.)	Dim. G (in.)	Dim. H (in.)	Weight (lb.)
1.	A-CRD51-288624S-S4	.125 Aluminum	Yes/4	28	86	24	36	12	11	246
2.	A-CRD51-309624S-S4	.125 Aluminum	Yes/4	30	96	24	42	13	12	282
3.	A-CRD51-309630S-S4	.125 Aluminum	Yes/4	30	96	30	42	13	12	316
4.	S-CRD41-288624S-*4	14g Steel	Yes/4	28	86	24	36	12	11	408
5.	S-CRD41-309624S-*4	14g Steel	Yes/4	30	96	24	42	13	12	465
6.	S-CRD41-309630S-*4	14g Steel	Yes/4	30	96	30	42	13	12	520

Note: Boxes are available in different configuration and custom sizes; call the factory for different sizes and options.

CGD - Cargo Drawers Boxes – Steel & Aluminum Single Both End Doors

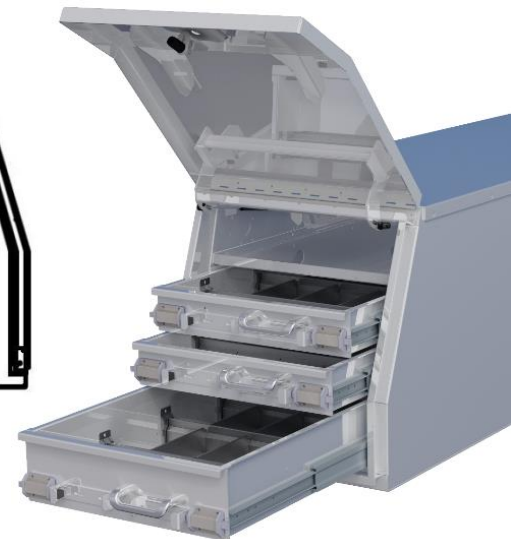
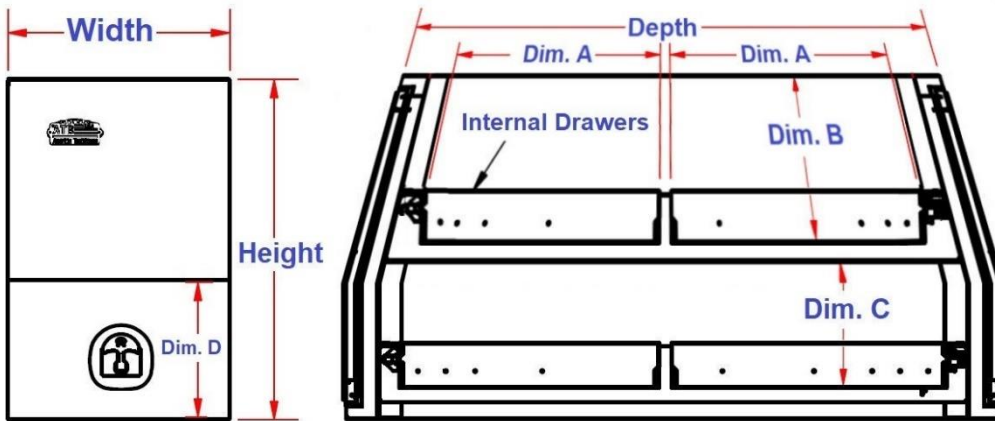
Cargo drawer boxes are super heavy duty, high capacity and offer easy access from side of truck or trailer. Boxes can be mounted on back of your truck or on your flatbed or trailer. These boxes are perfect for storing tools, hardware, fasteners and many other small parts. Cargo boxes are available in different sizes, and can be ordered custom size. All AMERICAN TRUCKBOXES boxes are designed and built to keep your equipment safe and secure.

Description

- An engineered steel and/or aluminum construction
- Fully seam welded on all seams and corners
- Stainless steel continuous hinge on full length of door
- Fully concealed rain gutter with automotive weather seal
- Lockable SS Dolphin Tail HD adjustable T-handle latch
- Zinc epoxy primer with MR powder baked topcoat finish
- Gas springs to support top hinged doors in open position
- Galvanized 18g hemmed adjustable dividers
- HD drawers with inside adjustable compartments
- Boxes are available in custom size
- Mounting kit not included



CGD Boxes – Angled Box
Mates with DU41 Boxes



Note: *Boxes are available in: Black (XB) and White (XW) Finish – add after part number.

No.	Model Number	Material	Drawers	Height (in.)	Depth (in.)	Width (in.)	Dim. E (in.)	Dim. G (in.)	Dim. H (in.)	Weight (lb.)
1.	A-CGD57-218224ST-T14	.125 S/.100 TP	Yes/4	21	82	24	34	8	8	190
2.	A-CGD57-219624ST-T14	.125 S/.100 TP	Yes/4	21	96	24	42	8	8	210
3.	A-CGD57-288224ST-T16	.125 S/.100 TP	Yes/4	28	82	24	34	12	11	300
4.	A-CGD57-289624ST-T16	.125 S/.100 TP	Yes/4	28	96	24	42	12	11	368
5.	S-CGD47-218224ST-*14	14g Steel	Yes/4	21	82	24	34	8	8	340
6.	S-CGD47-219624ST-*14	14g Steel	Yes/4	21	96	24	42	8	8	375
7.	S-CGD47-288224ST-*16	14g Steel	Yes/4	28	82	24	34	12	11	480
8.	S-CGD47-289624ST-*16	14g Steel	Yes/4	28	96	24	42	12	11	590

Note: Boxes are available in different configuration and custom sizes; call the factory for different sizes and options.

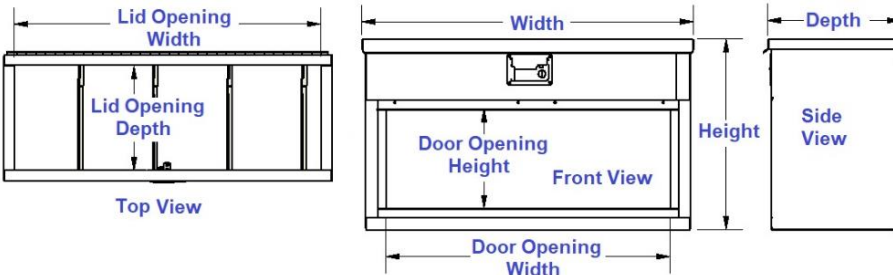
TB – Top Bottom Utility Boxes - Steel or Aluminum - Single & Double Open Door(s)/Lid(s)

Top bottom utility boxes are the ultimate storage solution, heavy duty, high capacity and offer easy access to your equipment and tools. Boxes can be mounted on trucks, flatbeds and/or trailers. These boxes are perfect for storing your equipment, tools, and personal gear. Top bottom utility boxes are available in different sizes and can be ordered custom size. All AMERICAN TRUCKBOXES boxes are designed and built to keep your equipment safe and secure.



Description

- An engineered steel or aluminum construction
- Fully seam welded on all seams and corners
- Stainless steel continuous hinge on full length of lid and door
- Channel braced reinforced lid and door
- Lockable SS Dolphin Tail HD adjustable T-handle latch
- Adjustable lock striker for positive weather seal.
- Gas springs and aircraft-type nylon door cable
- Rain gutter and automotive type weather seal
- Galvanized 18g hemmed adjustable dividers top compartment
- Zinc epoxy primer with MR powder baked topcoat finish
- Mounting kit not included



Note: *Boxes are available in: Black (XB) and White (XW) Finish – add after part number.

Models in orange should be mounted on a none twisting surface, for twisting may cause damage and void warranty (use two boxes).

No.	Model Number	Material	Height (in.)	Depth (in.)	Width (in.)	Door Opening Height (in.)	Door Opening Width (in.)	Lid Opening Depth (in.)	Lid Opening Width (in.)	Weight (lb.)
1.	A-TB41-201448SS-T	.090 Smooth/.100 TP	20	14	48	10-1/2	43-1/2	11-1/2	44	70
2.	A-TB41-201460SS-T	.090 Smooth/.100 TP	20	14	60	10-1/2	55-1/2	11-1/2	56	86
3.	A-TB41-201472SS-T	.090 Smooth/.100 TP	20	14	72	10-1/2	67-1/2	11-1/2	68	104
4.	A-TB41-201648SS-T	.090 Smooth/.100 TP	20	16	48	10-1/2	43-1/2	13-1/2	44	80
5.	A-TB41-201660SS-T	.090 Smooth/.100 TP	20	16	60	10-1/2	55-1/2	13-1/2	56	98
6.	A-TB41-201672SS-T	.090 Smooth/.100 TP	20	16	72	10-1/2	67-1/2	13-1/2	68	118
7.	A-TB41-201490DD-T	.090 Smooth/.100 TP	20	14	90	10-1/2	40-9/16	11-1/2	41	130
8.	A-TB41-201496DD-T	.090 Smooth/.100 TP	20	14	96	10-1/2	43-9/16	11-1/2	44	140
9.	S-TB41-201448SS-*	14 Gauge Steel	20	14	48	10-1/2	43-1/2	11-1/2	44	122
10.	S-TB41-201460SS-*	14 Gauge Steel	20	14	60	10-1/2	55-1/2	11-1/2	56	155
11.	S-TB41-201472SS-*	14 Gauge Steel	20	14	72	10-1/2	67-1/2	11-1/2	68	190
12.	S-TB41-201648SS-*	14 Gauge Steel	20	16	48	10-1/2	43-1/2	13-1/2	44	139
13.	S-TB41-201660SS-*	14 Gauge Steel	20	16	60	10-1/2	55-1/2	13-1/2	56	177
14.	S-TB41-201672SS-*	14 Gauge Steel	20	16	72	10-1/2	67-1/2	13-1/2	68	217
15.	S-TB41-201490DD-*	14 Gauge Steel	20	14	90	10-1/2	40-9/16	11-1/2	41	232
16.	S-TB41-201496DD-*	14 Gauge Steel	20	14	96	10-1/2	43-9/16	11-1/2	44	248
17.	S-TB41-201696DD-*	14 Gauge Steel	20	16	96	10-1/2	43-9/16	13-1/2	44	275
18.	S-TB41-202096DD-*	14 Gauge Steel	20	20	96	10-1/2	43-9/16	17-1/2	44	325

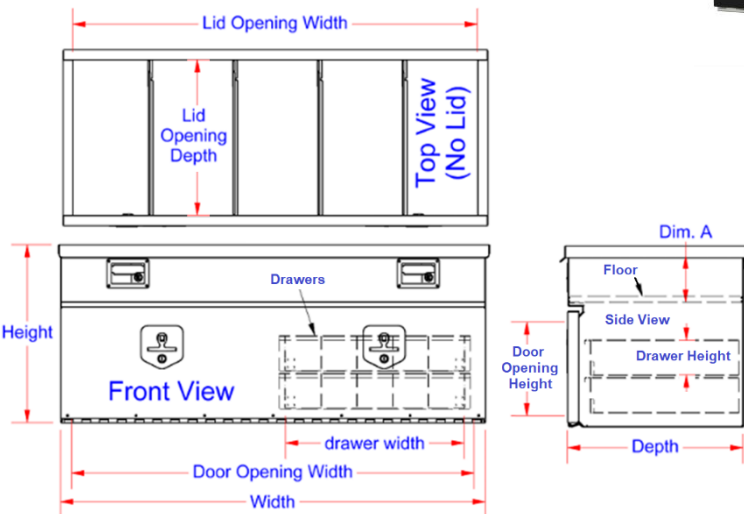
Note: Boxes are available in different configuration and custom sizes; call the factory for different sizes and options.

TB - Top Bottom Utility Drawer Boxes-Steel or Aluminum - Single & Double Open Door(s)/Lid(s)

Top bottom utility boxes are the ultimate storage solution, heavy duty, high capacity and offer easy access to your equipment and tools. Boxes can be mounted on trucks, flatbeds and/or trailers. These boxes are perfect for storing your equipment, tools, and personal gear. Top bottom utility boxes are available in different sizes and can be ordered custom size. All AMERICAN TRUCKBOXES boxes are designed and built to keep your equipment safe and secure.

Description

- An engineered steel or aluminum construction
- Fully seam welded on all seams and corners
- Stainless steel continuous hinge on full length of lid and door
- Channel braced reinforced lid and door
- Lockable stainless-steel lift and T-handle latches
- Adjustable lock striker for positive weather seal.
- Gas springs and aircraft-type nylon door cable
- Rain gutter and automotive type weather seal
- Galvanized 18g hemmed adjustable dividers top compartment
- Zinc epoxy primer with MR powder baked topcoat finish
- **Drawers in lower compartment**
- Mounting kit not included



Note: *Boxes are available in: Black (XB) and White (XW) Finish – add after part number.

No.	Model Number	Material	Height (in.)	Depth (in.)	Width (in.)	Drawer Count	Drawer Height (in.)	Lid Opening Depth (in.)	Lid Opening Width (in.)	Weight (lb.)
1.	A-TB44-201648SS-T4	.090 Smooth/.100 TP	20	16	48	4	1-4-4"	13-1/2	45	176
2.	A-TB44-201660SS-T4	.090 Smooth/.100 TP	20	16	60	4	1-4-4"	13-1/2	57	216
3.	A-TB44-201672DS-T4	.090 Smooth/.100 TP	20	16	72	4	1-4-4"	13-1/2	69	252
4.	A-TB44-202048SS-T4	.090 Smooth/.100 TP	20	20	48	4	1-4-4"	17-1/2	45	200
5.	A-TB44-202060SS-T4	.090 Smooth/.100 TP	20	20	60	4	1-4-4"	17-1/2	57	240
6.	A-TB44-202072DS-T4	.090 Smooth/.100 TP	20	20	72	4	1-4-4"	17-1/2	69	284
7.	S-TB44-201648SS-*4	14 Gauge Steel	20	16	48	4	1-4-4"	13-1/2	45	220
8.	S-TB44-201660SS-*4	14 Gauge Steel	20	16	48	4	1-4-4"	13-1/2	57	276
9.	S-TB44-201672DS-*4	14 Gauge Steel	20	16	48	4	1-4-4"	13-1/2	69	328
10.	S-TB44-202048SS-*4	14 Gauge Steel	20	20	48	4	1-4-4"	17-1/2	45	288
11.	S-TB44-202060SS-*4	14 Gauge Steel	20	20	60	4	1-4-4"	17-1/2	57	340
12.	S-TB44-202072DS-*4	14 Gauge Steel	20	20	72	4	1-4-4"	17-1/2	69	416

Note: Boxes are available in different configuration and custom sizes; call the factory for different sizes and options.

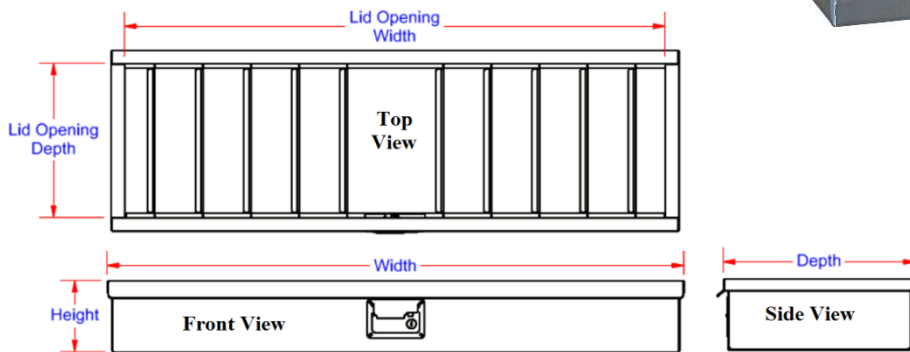
TM – Top Mount Compartment Boxes - Steel or Aluminum - Single and Double Open Lid(s)

Top mount compartment boxes are the ultimate storage solution, heavy duty, high capacity and offer easy access to your equipment and tools. Boxes can be mounted on trucks, flatbeds, and trailers. These boxes are perfect for storing your equipment, tools, and personal gear. Boxes are available in different sizes and can be ordered custom size. All AMERICAN TRUCKBOXES boxes are designed and built to keep your equipment safe and secure.

Description

- An engineered steel or aluminum construction
- Fully seam welded on all seams and corners
- Stainless steel continuous hinge on full length of lid
- Channel braced reinforced lid with gas springs
- Lockable stainless steel lift handle latch
- Adjustable lock striker for positive weather seal
- Automotive type weather seal
- Galvanized 18g hemmed adjustable dividers
- Zinc epoxy primer with MR powder baked topcoat finish
- Rubber matt on floor inside box
- Boxes are available in custom size
- Mounting kit included, Kit M3200D

Note: Boxes can be ordered in Custom Size.



Note: *Boxes are available in: Black (XB) and White (XW) Finish – add after part number.

No.	Model Number	Material	Height (in.)	Depth (in.)	Width (in.)	Door Opening Depth (in.)	Door Opening Width (in.)	Weight (lb.)
1.	A-TM41-61448S-T	.090 Smooth/.100 TP	6	14	48	11	45	42
2.	A-TM41-61460S-T	.090 Smooth/.100 TP	6	14	60	11	57	52
3.	A-TM41-61472S-T	.090 Smooth/.100 TP	6	14	72	11	69	62
4.	A-TM41-61482D-T	.090 Smooth/.100 TP	6	14	82	11	34-3/16	65
5.	A-TM41-61484D-T	.090 Smooth/.100 TP	6	14	84	11	35-3/16	69
6.	A-TM41-61490D-T	.090 Smooth/.100 TP	6	14	90	11	41-3/16	75
7.	A-TM41-61496D-T	.090 Smooth/.100 TP	6	14	96	11	44-3/16	80
8.	S-TM41-61448S-*	14 Gauge Steel	6	14	48	11	45	74
9.	S-TM41-61460S-*	14 Gauge Steel	6	14	60	11	57	89
10.	S-TM41-61472S-*	14 Gauge Steel	6	14	72	11	69	106
11.	S-TM41-61482D-*	14 Gauge Steel	6	14	82	11	34-3/16	108
12.	S-TM41-61484D-*	14 Gauge Steel	6	14	84	11	35-3/16	116
13.	S-TM41-61490D-*	14 Gauge Steel	6	14	90	11	41-3/16	124
14.	S-TM41-61496D-*	14 Gauge Steel	6	14	96	11	44-3/16	133

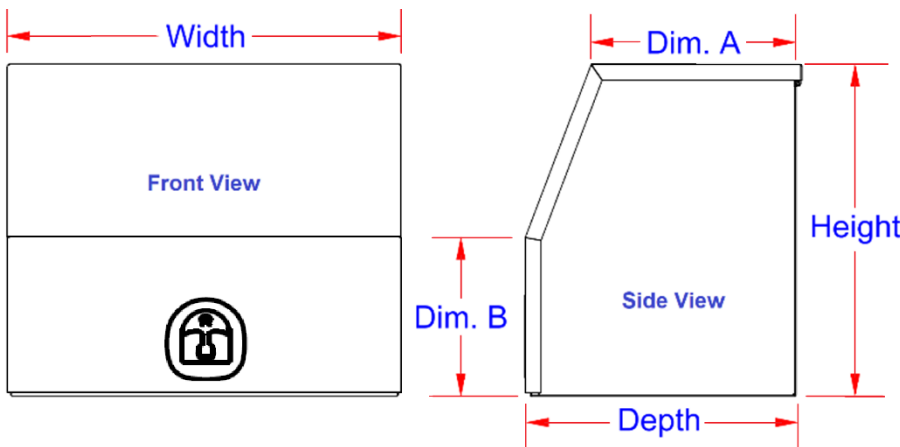
Note: Boxes are available in different configuration and custom sizes; call the factory for different sizes and options.

DM – Drawer Master Boxes - Steel or Aluminum - Single Door

Drawer master boxes are heavy duty, high capacity and offer easy access to your tools and/or equipment. Boxes can be mounted on tractor, truck, flatbed, trailer or combine. These boxes are perfect for storing your tools and personal gear. Tractor drawer boxes are available in different sizes and can be ordered custom size. All AMERICAN TRUCKBOXES boxes are designed and built to keep your equipment safe and secure.



Description
• An engineered steel or aluminum construction
• Fully seam welded on all seams and corners
• Channel braced reinforced door with gas springs
• Automotive type SS latch, weather seal and adjustable lock striker
• Professional tool organizer
• Drawers with heavy duty 150 lb. slides and rubber matt
• Galvanized 18g hemmed adjustable dividers
• Zinc epoxy primer with MR powder baked topcoat finish
• Mounting kit not included



Note: *Boxes are available in: Black (XB) and White (XW) Finish – add after part number.

No.	Model Number	Material	Height (in.)	Depth (in.)	Width (in.)	Depth "A" (in.)	Shelf Count	Drawer Count	Drawer Height (in.)	Weight (lb.)
1.	A-DM41-201826-T21	.090 Alum	20	18	26	11	2	1	D1=3"	52
2.	A-DM41-201830-T21	.090 Alum	20	18	30	11	2	1	D1=3"	60
3.	S-DM31-201826-*21	16g. Steel	20	18	26	11	2	1	D1=3"	120
4.	S-DM31-201830-*21	16g. Steel	20	18	30	11	2	1	D1=3"	130

Note: Boxes are available in different configuration and custom sizes; call the factory for different sizes and options.

DM – Drawer Master Boxes - Steel or Aluminum - Single Door

Drawer master boxes are heavy duty, high capacity and offer easy access to your tools and/or equipment. Boxes can be mounted on tractor, truck, flatbed, trailer or combine. These boxes are perfect for storing your tools and personal gear. Tractor drawer boxes are available in different sizes and can be ordered custom size. All AMERICAN TRUCKBOXES boxes are designed and built to keep your equipment safe and secure.

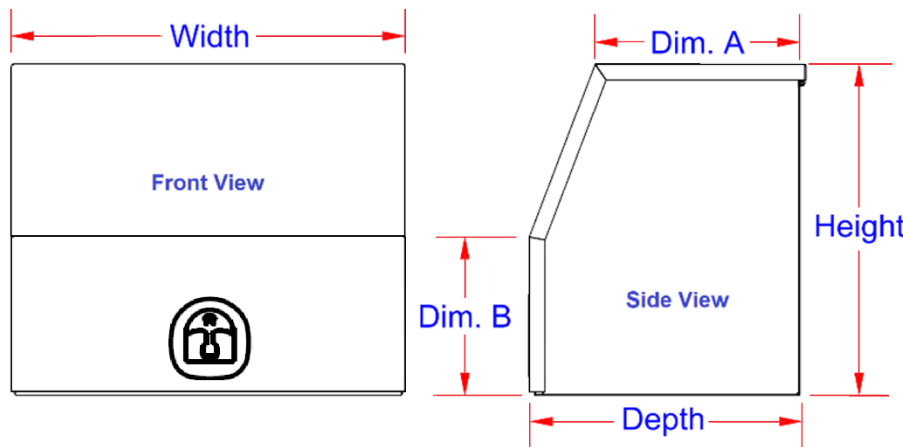
Description

- An engineered steel or aluminum construction
- Fully seam welded on all seams and corners
- Channel braced reinforced door with gas springs
- Automotive type SS latch, weather seal and adjustable lock striker
- Professional tool organizer
- Drawers with heavy duty 150 lb. slides and rubber matt
- Galvanized 18g hemmed adjustable dividers
- Zinc epoxy primer with MR powder baked topcoat finish
- Mounting kit not included



DM41-211636-21

DM41-282036-22



Note: *Boxes are available in: Black (XB) and White (XW) Finish – add after part number.

No.	Model Number	Material	Height (in.)	Depth (in.)	Width (in.)	Depth "A" (in.)	Shelf Count	Drawer Count	Drawer Height (in.)	Weight (lb.)
1.	A-DM41-211430-T21	.090 Alum	21	14	30	9	2	1	D1=3"	58
2.	A-DM41-211626-T21	.090 Alum	21	16	26	11	2	1	D1=3"	54
3.	A-DM41-211630-T21	.090 Alum	21	16	30	11	2	1	D1=3"	60
4.	A-DM41-211636-T21	.090 Alum	21	16	36	11	2	1	D1=3"	64
5.	A-DM41-282026-T22	.090 Alum	28	20	26	13	2	2	D1=3" D2=5"	72
6.	A-DM41-282030-T22	.090 Alum	28	20	30	13	2	2	D1=3" D2=5"	84
7.	A-DM41-282036-T22	.090 Alum	28	20	36	13	2	2	D1=3" D2=5"	95
8.	A-DM41-282048-T22	.090 Alum	28	20	48	13	2	2	D1=3" D2=5"	120
9.	S-DM41-211430-*21	14g. Steel	21	14	30	9	2	1	D1=3"	110
10.	S-DM41-211626-*21	14g. Steel	21	16	26	11	2	1	D1=3"	106
11.	S-DM41-211630-*21	14g. Steel	21	16	30	11	2	1	D1=3"	118
12.	S-DM41-211636-*21	14g. Steel	21	16	36	11	2	1	D1=3"	136
13.	S-DM41-282026-*22	14g. Steel	28	20	26	13	2	2	D1=3" D2=5"	148
14.	S-DM41-282030-*22	14g. Steel	28	20	30	13	2	2	D1=3" D2=5"	158
15.	S-DM41-282036-*22	14g. Steel	28	20	36	13	2	2	D1=3" D2=5"	188
16.	S-DM41-282048-*22	14g. Steel	28	20	48	13	2	2	D1=3" D2=5"	245

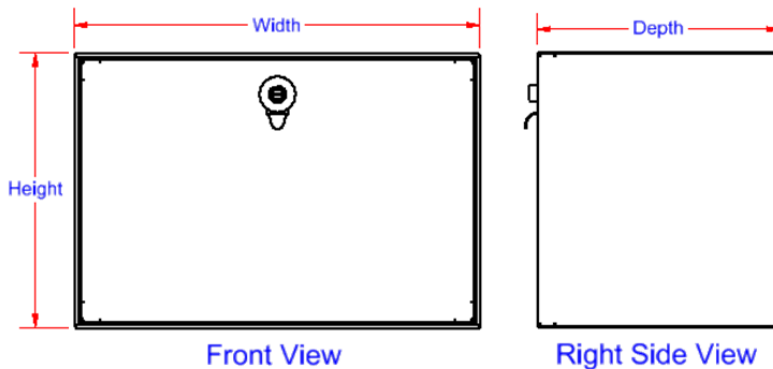
Note: Boxes are available in different configuration and custom sizes; call the factory for different sizes and options.

TD – Tractor Drawer Boxes - Steel - Single Drop Open Door

Tractor drawer boxes are heavy duty, high capacity and offer easy access to your tools and/or equipment. Boxes can be mounted on tractor, truck, flatbed, trailer or combine. These boxes are perfect for storing your tools and personal gear. Tractor drawer boxes are available in different sizes, and can be ordered custom size. All AMERICAN TRUCKBOXES boxes are designed and built to keep your equipment safe and secure.

Description

- An engineered steel construction
- Fully seam welded on all seams and corners
- Brass bushing grease-able hinges to avoid freeze-ups
- Channel braced reinforced door
- Automotive style latch with push button action.
- Adjustable lock striker for positive weather seal.
- Aircraft-type nylon door cable
- Automotive type weather seal
- Drawers with heavy duty 250 lb. slides and rubber matt
- Galvanized 18g hemmed adjustable dividers
- Zinc epoxy primer with MR powder baked topcoat finish
- Mounting kit not included



Note: *Boxes are available in: Black (XB) and White (XW) Finish – add after part number.

No.	Model Number	Material	Height (in.)	Depth (in.)	Width (in.)	Drawer Count	Drawer Height (in.)	Weight (lb.)
1.	S-TD41-171525-*4	14 Gauge Steel	17	15	25	4	D1-D4=3"	142
2.	S-TD41-181824-*4	14 Gauge Steel	18	18	24	4	D1-D3=3" & D4=4"	178

Note: Boxes are available in different configuration and custom sizes; call the factory for different sizes and options.

DC – Drawer Cabinet Boxes - Steel or Aluminum – Single Drop Open Door

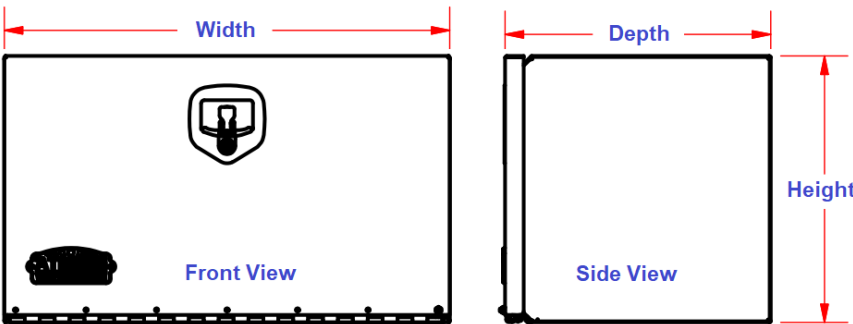
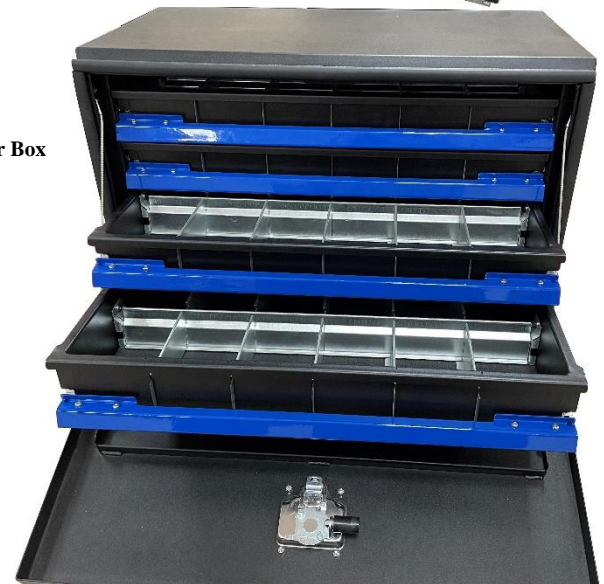
Drawer cabinet boxes are the ultimate storage solution, heavy duty, high capacity and offer easy access to your tools and parts. Boxes can be mounted on trucks, flatbeds and trailers. These boxes are perfect for storing your tools, nuts & bolts, and smaller items. Drawer utility cabinet boxes are available in different sizes and can be ordered custom size. All AMERICAN TRUCKBOXES boxes are designed and built to keep your equipment safe and secure.

Description

- An engineered steel or aluminum construction
- Fully seam welded on all seams and corners
- Stainless steel continuous hinge on full length of lid
- Channel braced reinforced door
- Lockable SS Dolphin Tail HD adjustable T-handle latch
- Adjustable lock striker for positive weather seal.
- Individual (in-position) drawer locks
- Aircraft-type nylon door cable
- Rain gutter and automotive type weather seal
- Drawers with heavy duty 250 lb. slides and rubber matt
- Galvanized 18g hemmed adjustable dividers
- Zinc epoxy primer with MR powder baked topcoat finish
- Mounting kit not included



Steel 4 Drawer Box



Note: *Boxes are available in: Black (XB) and White (XW) Finish – add after part number.

No.	Model Number	Material	Height (in.)	Depth (in.)	Width (in.)	Drawer Count	Drawer Height (in.)	Drawer Width (in.)	Weight (lb.)
1.	A-DC41-181830S-T4	.090 Smooth/.100 TP	18	18	30	4	3-3" & 1-4"	24-3/4	135
2.	A-DC41-181836S-T4	.090 Smooth/.100 TP	18	18	36	4	3-3" & 1-4"	30-3/4	158
3.	A-DC41-182436S-T4	.090 Smooth/.100 TP	18	24	36	4	3-3" & 1-4"	30-3/4	206
4.	A-DC41-202036S-T4	.090 Smooth/.100 TP	20	20	36	4	2-3", 1-4" & 1-5"	30-3/4	176
5.	A-DC41-242048S-T5	.090 Smooth/.100 TP	24	20	48	5	2-3", 2-4" & 1-5"	42-3/4	270
6.	A-DC41-242448S-T5	.090 Smooth/.100 TP	24	24	48	5	2-3", 2-4" & 1-5"	42-3/4	318
7.	A-DC41-242460S-T10	.090 Smooth/.100 TP	24	24	60	10	4-3" & 6-4"	25-1/2	424
8.	S-DC41-181830S-*4	14 Gauge Steel	18	18	30	4	3-3" & 1-4"	24-3/4	224
9.	S-DC41-181836S-*4	14 Gauge Steel	18	18	36	4	3-3" & 1-4"	30-3/4	248
10.	S-DC41-182436S-*4	14 Gauge Steel	18	24	36	4	3-3" & 1-4"	30-3/4	308
11.	S-DC41-202036S-*4	14 Gauge Steel	20	20	36	4	2-3", 1-4" & 1-5"	30-3/4	268
12.	S-DC41-242048S-*5	14 Gauge Steel	24	20	48	5	2-3", 2-4" & 1-5"	42-3/4	410
13.	S-DC41-242448S-*5	14 Gauge Steel	24	24	48	5	2-3", 2-4" & 1-5"	42-3/4	481
14.	S-DC41-242460S-*10	14 Gauge Steel	24	24	60	10	4-3" & 6-4"	25-1/2	625

Note: Boxes are available in different configuration and custom sizes; call the factory for different sizes and options.

BP – Bed-Pack Pull-Out Boxes – Aluminum or Steel – Single and Double Pull-Out Drawer(s)

Bed-Pack boxes are heavy duty and offer easy access to your equipment and tools. Boxes can be mounted in truck box, on flatbeds or trailers. These boxes are perfect for storing your equipment, tools and personal gear. Bed-pack boxes are available in different sizes, and can be ordered custom size. All AMERICAN TRUCKBOXES boxes are designed and built to keep your equipment safe and secure.

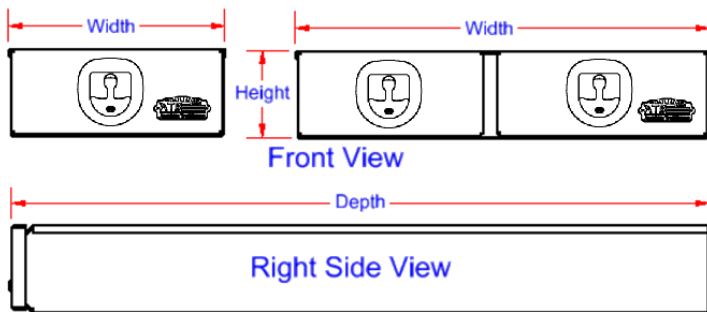
Description

- An engineered aluminum or steel powder coated construction
- Fully seam welded on all seams and corners
- Channel braced reinforced top and bottom
- Lockable SS Dolphin Tail HD adjustable T-handle latch
- Automotive type weather seal
- Heavy duty drawer slides (500 lb.) with smooth rolling action
- Drawers dividers removable for organization
- **Optional Top Slide-Out Tray - (BT Series)**
- **Optional mounting end gate cross foot channel - M7000FC**
- **Mounting kit included - M7000FL**



M7000FC

Optional Top Pull-out Tray BT Series Available - Not Shown



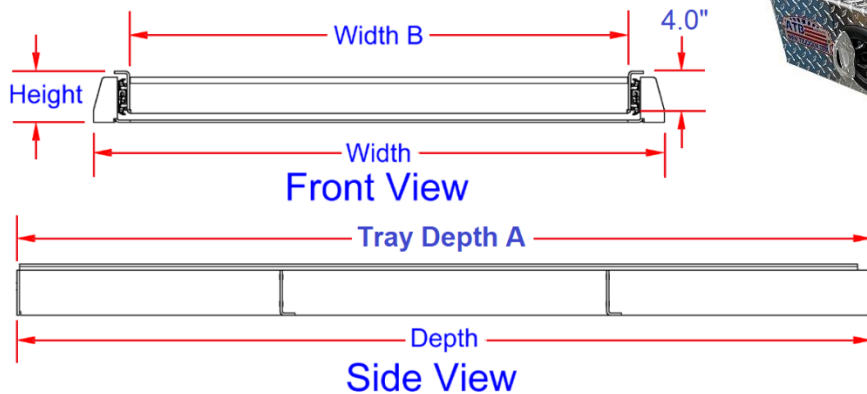
No.	Model Number	Material	Height (in.)	Depth (in.)	Width (in.)	Drawer Height Inside A (in.)	Drawer Width Inside B (in.)	Drawer Cap (lbs)	Weight (lb.)
1.	A-BP51-84024-T1	.125 Smooth/.100 TP	8	40	24	5.0	18-1/8"	300	102
2.	A-BP51-85224-T1	.125 Smooth/.100 TP	8	52	24	5.0	18-1/8"	300	129
3.	A-BP51-104024-T1	.125 Smooth/.100 TP	10	40	24	7.0	18-1/8"	300	153
4.	A-BP51-105224-T1	.125 Smooth/.100 TP	10	52	24	7.0	18-1/8"	300	114
5.	A-BP51-124024-T1	.125 Smooth/.100 TP	12	40	24	9.0	18-1/8"	300	136
6.	A-BP51-125224-T1	.125 Smooth/.100 TP	12	52	24	9.0	18-1/8"	300	178
Double Drawer Boxes									
7.	S-BP41-84024-*1	14 Gauge Steel	8	40	24	5.0	18-1/8"	300	154
8.	S-BP41-85224-*1	14 Gauge Steel	8	52	24	5.0	18-1/8"	300	216
9.	S-BP41-104024-*1	14 Gauge Steel	10	40	24	7.0	18-1/8"	300	198
10.	S-BP41-105224-*1	14 Gauge Steel	10	52	24	7.0	18-1/8"	300	265
11.	S-BP41-124024-*1	14 Gauge Steel	12	40	24	9.0	18-1/8"	300	244
12.	S-BP41-125224-*1	14 Gauge Steel	12	52	24	9.0	18-1/8"	300	320
13.	A-BP51-82848-T2	.125 Smooth/.100 TP	8	28	48	5.0	18-1/8"	300 each	168
14.	A-BP51-84048-T2	.125 Smooth/.100 TP	8	40	48	5.0	18-1/8"	300 each	238
15.	A-BP51-85248-T2	.125 Smooth/.100 TP	8	52	48	5.0	18-1/8"	300 each	310
16.	A-BP51-86448-T2	.125 Smooth/.100 TP	8	64	48	5.0	18-1/8"	400 each	385
17.	A-BP51-87648-T2	.125 Smooth/.100 TP	8	76	48	5.0	18-1/8"	450 each	425
18.	A-BP51-125248-T2	.125 Smooth/.100 TP	12	52	48	9.0	18-1/8"	400 each	354
19.	A-BP51-126448-T2	.125 Smooth/.100 TP	12	64	48	9.0	18-1/8"	400 each	435
20.	A-BP51-127648-T2	.125 Smooth/.100 TP	12	76	48	9.0	18-1/8"	400 each	476

BT – Bed-Tray Pull-Out for BP Boxes – Aluminum or Steel

Bed-Tray pull-out for bed-pack boxes or flat surface mount are heavy duty and offer easy access to your equipment and tools. Bed-Trays can be mounted on top of Bed-Packs or any flat surface. These Bed-Trays are perfect for storing your equipment, tools and personal gear. All AMERICAN TRUCKBOXES boxes are designed and built to keep your equipment safe and secure.

Description

- An engineered aluminum or steel powder coated construction
- Fully seam welded on all seams and corners
- Channel braced reinforced design
- Heavy Duty lock-in tray
- Heavy duty drawer slides (500 lb.) with smooth rolling action
- Center divider
- Mounting holes or can be welded
- Mounting kit not included



BT Bed-Tray Pull-Out Shown Mounted to BP Bed-Pack (See BPT Boxes)

Note: *Boxes are available in: Black (XB) and White (XW) Finish – add after part number.

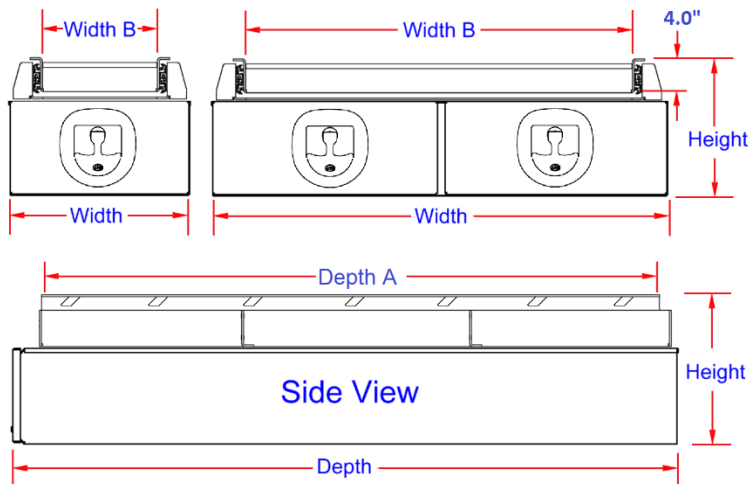
No.	Model Number	Material	Height (in.)	Depth (in.)	Width (in.)	Tray Depth Inside "A" (in.)	Tray Width Inside B (in.)	Divided Section	Tray Cap (lbs.)	Weight (lb.)
1.	A-BT61-55224-S	.190 Smooth	4.75	49.50	23.75	47-375	17.75	1	300	54
2.	A-BT61-56424-S	.190 Smooth	4.75	61.50	23.75	59-375	17.75	1	300	68
3.	A-BT61-56432-S	.190 Smooth	4.75	61.50	31.75	59-375	25.75	1	300	94
4.	A-BT61-54048-S	.190 Smooth	4.75	37.50	47.75	35-375	41.75	1	300	94
5.	A-BT61-55248-S	.190 Smooth	4.75	49.50	47.75	47-375	41.75	1	300	120
6.	A-BT61-56448-S	.190 Smooth	4.75	61.50	47.75	59-375	41.75	1	300	144
7.	A-BT61-57648-S	.190 Smooth	4.75	73.50	47.75	71-3/8	41.75	1	300	165
8.	A-BT61-59448-S	.190 Smooth	4.75	91.50	47.75	89-375	41.75	1	300	180
9.	S-BT51-55224*	12g Steel	4.75	49.50	23.75	47-375	17.75	1	300	96
10.	S-BT51-56424*	12g Steel	4.75	61.50	23.75	59-375	17.75	1	300	110
11.	S-BT51-56432*	12g Steel	4.75	61.50	31.75	59-375	25.75	1	300	154
12.	S-BT51-54048*	12g Steel	4.75	37.50	47.75	35-375	41.75	1	300	154
13.	S-BT51-55248*	12g Steel	4.75	49.50	47.75	47-375	41.75	1	300	198
14.	S-BT51-56448*	12g Steel	4.75	61.50	47.75	59-375	41.75	1	300	240
15.	S-BT51-57648*	12g Steel	4.75	73.50	47.75	71-3/8	41.75	1	300	275
16.	S-BT51-59448*	12g Steel	4.75	91.50	47.75	4.0	41.75	1	300	298

BPT – Bed-Pack Tray Pull-Out Boxes – Aluminum or Steel – Single and Double Pull-Out Drawer(s)

Bed-Pack boxes are heavy duty and offer easy to access your equipment and tools. Boxes can be mounted in truck box, on flatbeds or trailers. These boxes are perfect for storing your equipment, tools and personal gear. Bed-pack boxes are available in different sizes, and can be ordered custom size. All AMERICAN TRUCKBOXES boxes are designed and built to keep your equipment safe and secure.

Description

- An engineered aluminum or steel powder coated construction
- Fully seam welded on all seams and corners
- Channel braced reinforced top and bottom
- Lockable SS Dolphin Tail HD adjustable T-handle latch
- Automotive type weather seal
- Heavy duty drawer slides (500 lb.) with smooth rolling action
- Drawers dividers removable for organization
- Top slide-Out tray (500lbs Slides) with Tie down hole
- Optional mounting end gate cross foot channel - M7000FC
- Mounting kit included - M7000FL



M7000FC

No.	Model Number	Material	Height (in.)	Depth (in.)	Width (in.)	Drawer Height Inside (in.)	Drawer Width Inside (in.)	Tray Width Inside B (in.)	Tray Depth Inside A (in.)	Drawer Cap (lbs)	Weight (lb.)
1.	A-BPT51-135224-T1	.125S/.100TP/.190S	13	52	24	5.0	18-1/8"	17-3/4	47-3/8	300	129
2.	A-BPT51-155224-T1	.125S/.100TP/.190S	15	52	24	7.0	18-1/8"	17-3/4	47-3/8	300	221
3.	A-BPT51-175224-T1	.125S/.100TP/.190S	17	52	24	9.0	18-1/8"	17-3/4	47-3/8	300	246
4.	S-BPT41-135224-*1	14/12 Gauge Steel	13	52	24	5.0	18-1/8"	17-3/4	47-3/8	300	312
5.	S-BPT41-155224-*1	14/12 Gauge Steel	15	52	24	7.0	18-1/8"	17-3/4	47-3/8	300	375
6.	S-BPT41-175224-*1	14/12 Gauge Steel	17	52	24	9.0	18-1/8"	17-3/4	47-3/8	300	430
Double Drawer Boxes											
7.	A-BPT51-135248-T2	.125S/.100TP/.190S	13	52	48	5.0	18-1/8"	41-3/4"	47-3/8	300 each	430
8.	A-BPT51-136448-T2	.125S/.100TP/.190S	13	64	48	5.0	18-1/8"	41-3/4"	59-3/8	400 each	529
9.	A-BPT51-137648-T2	.125S/.100TP/.190S	13	76	48	5.0	18-1/8"	41-3/4"	71-3/8	450 each	590
10.	A-BPT51-175248-T2	.125S/.100TP/.190S	17	52	48	9.0	18-1/8"	41-3/4"	47-3/8	400 each	474
11.	A-BPT51-176448-T2	.125S/.100TP/.190S	17	64	48	9.0	18-1/8"	41-3/4"	59-3/8	400 each	579
12.	A-BPT51-177648-T2	.125S/.100TP/.190S	17	76	48	9.0	18-1/8"	41-3/4"	71-3/8	400 each	641
13.	A-BPT51-179448-T2	.125S/.100TP/.190S	17	94	48	9.0	18-1/8"	41-3/4"	89-3/8	400 each	703

Note: *Boxes are available in: Black (XB) and White (XW) Finish – add after part number.

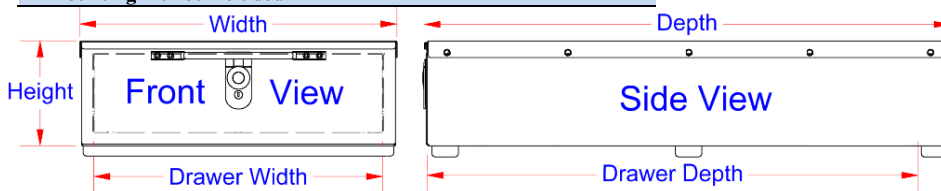
TP – Tool-Pack Pull-Out Boxes – Aluminum or Steel – Pull-Out Drawer(s)

Tool-pack boxes are heavy duty and offer easy access to your equipment and tools. Boxes can be mounted in truck box, on flatbeds or trailers. These boxes are perfect for storing your equipment, tools and personal gear. Bed-pack boxes are available in different sizes, and can be ordered custom size. All AMERICAN TRUCKBOXES boxes are designed and built to keep your equipment safe and secure.



Description

- An engineered aluminum & steel powder coated construction
- Fully seam welded on all seams and corners
- Channel braced reinforced top and bottom
- Automotive style latch with push button action.
- Automotive type weather seal
- Heavy duty drawer slides 500 lb. with smooth rolling action
- Drawers dividers removable for organization
- 10g Aluminum and/or 12g steel skid mounts
- Mounting kit not included



Note: *Boxes are available in: Black (XB) and White (XW) Finish – add after part number.

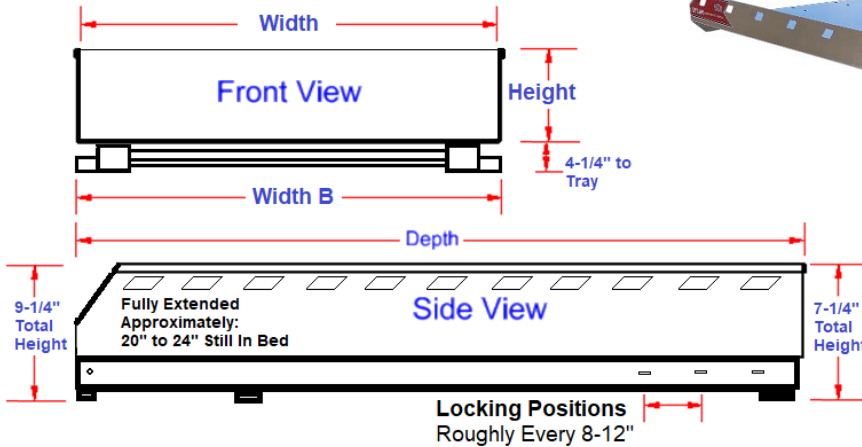
No.	Model Number	Material	Height (in.)	Depth (in.)	Width (in.)	Drawer H Inside A (in.)	Drawer W Inside B (in.)	Divided Section	Drawers Count	Drawer Cap (lbs)	Weight (lb.)
1.	A-TP41-74912-*1	.090 Alum	7	49	12	3.5	6	1	1	225	64
2.	A-TP41-74924-*1	.090 Alum	7	49	24	3.5	18	2	1	225	120
3.	A-TP41-74936-*1	.090 Alum	7	49	36	3.5	30	3	1	225	198
4.	A-TP41-74948-*1	.090 Alum	7	49	48	3.5	42	4	1	225	275
5.	A-TP41-123712-*1	.090 Alum	12	37	12	8.5	6	1	1	225	75
6.	A-TP41-184312-*1	.090 Alum	18	43	12	14.5	6	1	1	225	98
7.	A-TP42-124912-*2	.090 Alum	12	49	12	8.8	6	1	2-Stacked	225	102
8.	A-TP42-184912-*3	.090 Alum	18	49	12	14.5	6	1	3-Stacked	225	140
9.	A-TP42-244912-*4	.090 Alum	24	49	12	21.5	6	1	4-Stacked	225	184
10.	S-TP41-83736-*1	14g Steel	8	37	36	4.5	30	3	1	425	138
11.	S-TP41-84924-*1	14g Steel	8	49	24	4.5	18	2	1	425	128
12.	S-TP41-84936-*1	14g Steel	8	49	36	4.5	30	3	1	425	180
13.	S-TP41-104924-*1	14g Steel	10	49	24	6.5	18	2	1	425	205
14.	S-TP41-104930-*1	14g Steel	10	49	30	6.5	24	2	1	425	250
15.	S-TP41-104936-*1	14g Steel	10	49	36	6.5	30	3	1	425	290
16.	S-TP41-104948-*1	14g Steel	10	49	48	6.5	42	4	1	425	382
17.	S-TP41-132440-*1	14g Steel	13	24	40	9.5	37	1	1	425	170
18.	S-TP41-133712-*1	14g Steel	13	37	12	9.5	6	1	1	425	72
19.	S-TP41-133724-*1	14g Steel	13	37	24	9.5	6	2	1	425	138
20.	S-TP41-133736-*1	14g Steel	13	37	36	9.5	30	3	1	425	272
21.	S-TP41-134912-*1	14g Steel	13	49	12	9.5	6	1	1	425	138
22.	S-TP41-134924-*1	14g Steel	13	49	24	9.5	18	2	1	425	238
23.	S-TP41-134930-*1	14g Steel	13	49	30	9.5	24	2	1	425	295
24.	S-TP41-134936-*1	14g Steel	13	49	36	9.5	30	3	1	425	350
25.	S-TP41-134948-*1	14g Steel	13	49	48	9.5	42	4	1	425	460
26.	S-TP41-134312-*1	14g Steel	18	43	12	14.5	6	1	1	425	134

PP – Platform Pull-Out Tray – Steel Body with Aluminum Tray

Platform pull-out trays are heavy duty and offer easy to access your equipment and tools. Platforms can be mounted in truck box, on flatbeds or trailers. These platforms are perfect for bringing cargo towards you and storing your equipment, tools and personal gear. Platforms are available in different sizes. All AMERICAN TRUCKBOXES boxes are designed and built to keep your equipment safe and secure.

Description

- An engineered aluminum tray & steel slide construction
- .125 Aluminum top tray
- Tri-Rect side holes tie-down points
- Easy mounts to truck bed
- Storage platform extends 75 to 80%
- Heavy duty steel tracks 1200 to 4000 lb. with smooth rolling action
- Locking tray position every 8 to 12 inches
- Heavy duty steel skid mounts
- Mounting kit included – M7200PP



No.	Model Number	Style	Material Tray/Slides	Height (in.)	Depth (in.)	Width (in.)	Drawer Cap (lbs.)	Fits Box	Weight (lb.)
1.	A-PP51-55141-S	XP1200	.125 Alum/10g Gal	5	51	41.5	1200	5' Maverick	120
2.	A-PP51-55841-S	XP1200	.125 Alum/10g Gal	5	58	41.5	1200	5' Mid-Size Beds	134
3.	A-PP51-57041-S	XP1200	.125 Alum/10g Gal	5	70	41.5	1200	6' Mid-Size Beds	155
4.	A-PP51-55843-S	XP1200	.125 Alum/10g Gal	5	58	43.5	1200	5' Gladiator Beds	134
5.	A-PP51-59547-S	XP1200	.125 Alum/10g Gal	5	95	47	1200	8' Service Body Tray	120
6.	A-PP51-56449-S	XP1200	.125 Alum/10g Gal	5	64	49	1200	5.5' Full Size Beds	150
7.	A-PP51-57449-S	XP1200	.125 Alum/10g Gal	5	74	49	1200	6.5' Full Size Beds	182
8.	A-PP51-58049-S	XP1200	.125 Alum/10g Gal	5	80	49	1200	6.9' Full Size Beds	194
9.	A-PP51-59549-S	XP1200	.125 Alum/10g Gal	5	95	49	1200	8' Full Size Beds	222
10.	A-PP52-59547-S	XP2000	.125 Alum/10g Gal	5	95	47	2000	8' Service Body Tray	260
11.	A-PP52-56549-S	XP2000	.125 Alum/10g Gal	5	65	49	2000	5.5' Full Size Beds	180
12.	A-PP52-57449-S	XP2000	.125 Alum/10g Gal	5	74	49	2000	6.5' Full Size Beds	212
13.	A-PP52-58049-S	XP2000	.125 Alum/10g Gal	5	80	49	2000	6.9' Full Size Beds	226
14.	A-PP52-59549-S	XP2000	.125 Alum/10g Gal	5	95	49	2000	8' Full Size Beds	261
15.	A-PP64-59447-S	XP4000	.190 Alum/10g Gal	5	94	47	4000	8' Service Body Tray	450
16.	A-PP64-57449-S	XP4000	.190 Alum/10g Gal	5	74	49	4000	6.5' Full Size Beds	365
17.	A-PP64-58049-S	XP4000	.190 Alum/10g Gal	5	80	49	4000	6.9' Full Size Beds	394
18.	A-PP64-59549-S	XP4000	.190 Alum/10g Gal	5	95	49	4000	8' Full Size Beds	462

IK – Insert Kits – Aluminum & Steel

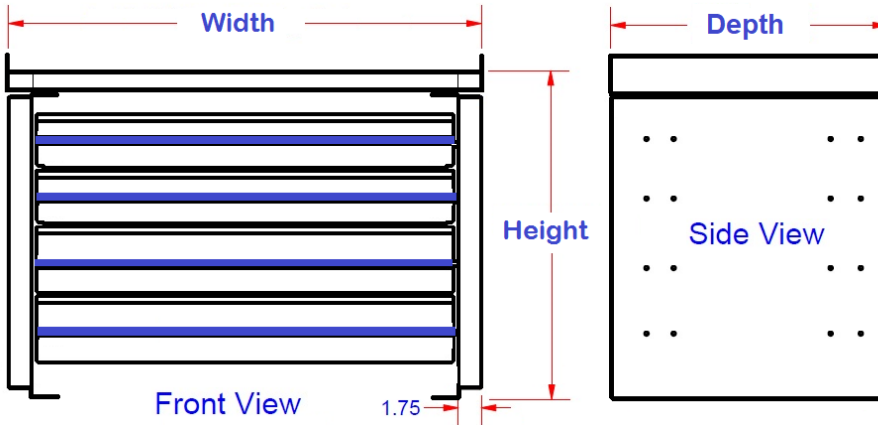
Insert Kits are heavy duty and offer easy access to your tools and equipment. Kits are mounted designed to be mounted inside an existing box or enclosure. These kits are perfect for storing your equipment, tools and personal gear. Drawer Insert Kits are available in different sizes and can be ordered custom size. All AMERICAN TRUCKBOXES Kits are designed and built to keep your equipment safe and secure.

Description

- An engineered aluminum or steel construction
- Welded on all drawer seams and corners
- Drawers with heavy duty 250 lb. slides
- Removable dividers
- Rubber matt in drawer bottom
- Zinc epoxy primer with MR powder baked topcoat finish
- Available in custom size to fit most any enclosure
- Available in customer size drawers
- Top shelf with adjustable spread for mounting
- Mounting kit not included

Spacing Measurements:

Between drawers spacing is ¼". Bottom mount leg is 2". Leg extensions are available upon request. These measurements are a design standard and can or may vary.

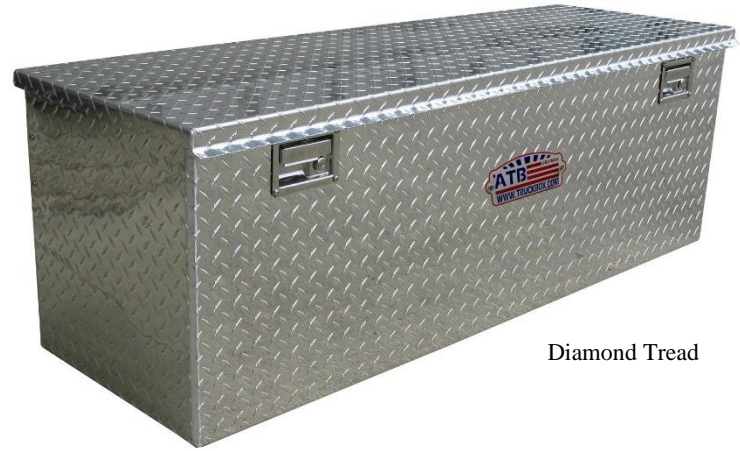


Note: *Boxes are available in: Black (XB) and White (XW) Finish – add after part number.

No.	Model Number	Material	Height (in.)	Depth (in.)	Width (in.)	Drawers Count	Drawer Height (in.)	Weight (lb.)
1.	A-IK41-151524-S3	.090 Smooth	15	15	24	3	D1=3", D2-3=4"	54
2.	A-IK41-151536-S3	.090 Smooth	15	15	36	3	D1=3", D2-3=4"	68
3.	A-IK41-182136-S4	.090 Smooth	18	21	36	4	D1-2=3" & D3-4=4"	106
4.	A-IK41-222136-S5	.090 Smooth	22	21	36	5	D1-3=3" & D4-5=4"	140
5.	A-IK41-222436-S5	.090 Smooth	22	24	36	5	D1-3=3" & D4-5=4"	160
6.	A-IK41-341828-S6	.090 Smooth	34	18	28	6	D1-3=4", D4=5" & D5-6=6"	120
7.	A-IK41-381828-S7	.090 Smooth	38	18	28	7	D1-4=4", D5=5" & D6-7=6"	144
8.	S-IK31-151524-*3	16 Gauge Steel	15	15	24	3	D1=3", D2-D3=4"	84
9.	S-IK31-181524-*4	16 Gauge Steel	18	15	24	4	D1-2-3=4" & D3-4=4"	114
10.	S-IK31-221524-*5	16 Gauge Steel	22	15	24	5	D1-2=3", D3-5=4"	156
11.	S-IK31-271524-*6	16 Gauge Steel	27	15	24	6	D1-3=3", D4-5=4" & D6=5"	185
12.	S-IK41-151524-*3	14 Gauge Steel	15	15	24	3	D1=3", D2-D3=4"	110
13.	S-IK41-151536-*3	14 Gauge Steel	15	15	36	3	D1=3", D2-3=4"	154
14.	S-IK41-182136-*4	14 Gauge Steel	18	21	36	4	D1-2=3" & D3-4=4"	235
15.	S-IK41-222136-*5	14 Gauge Steel	22	21	36	5	D1-3=3" & D4-5=4"	295
16.	S-IK41-222436-*5	14 Gauge Steel	22	24	36	5	D1-3=3" & D4-5=4"	330

TC – Top-Chest Boxes - Aluminum & Steel - Single Top Open Lid

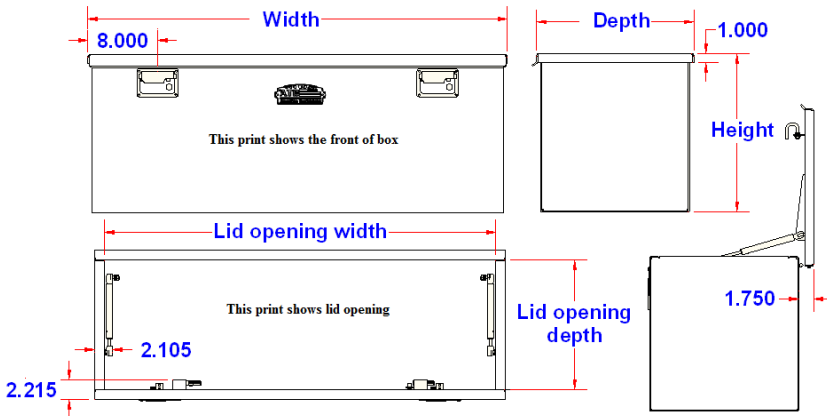
Top-chest boxes are heavy duty and offer easy access to your equipment. Boxes can be mounted on truck box, flatbed or trailer. These boxes are perfect for storing your equipment, tools and personal gear. Chest boxes are available in different sizes and can be ordered custom size. All AMERICAN TRUCKBOXES boxes are designed and built to keep your equipment safe and secure.



Diamond Tread



Description
• An engineered aluminum or steel construction
• Fully seam welded on all seams and corners
• Stainless steel continuous hinge on full length of lid
• Gas springs to “pop” and keep lid open.
• Channel braced reinforced lid
• Zinc epoxy primer with MR powder baked topcoat finish
• Lockable and linked stainless steel latch from either side
• Adjustable lock striker for positive weather seal
• Automotive type weather seal
• Automotive style latch with smooth rotary action
• Optional steel sliding tray available (See Tray Section)
• Mounting kit included - M3200D



Note: Toolboxes less than 48 inches wide come standard with one lock only; however, we can make configuration changes if specified.

No.	Model Number	Material	Height (in.)	Depth (in.)	Width (in.)	Lid Opening Width (in.)	Lid Opening Depth (in.)	Weight (lb.)
1.	A-TC41C-181824S-TT	.100 Tread	18	18	24	20-3/4	14-3/4	30
2.	A-TC41C-181836S-TT	.100 Tread	18	18	36	32-3/4	14-3/4	40
3.	A-TC41B-181848S-TT	.100 Tread	18	18	48	44-3/4	14-3/4	50
4.	A-TC41B-181854S-TT	.100 Tread	18	18	54	50-3/4	14-3/4	55
5.	A-TC41B-181860S-TT	.100 Tread	18	18	60	56-3/4	14-3/4	62
6.	A-TC41C-181824S-T	.090 Smooth/.100 Tread	18	18	24	20-3/4	14-3/4	26
7.	A-TC41C-181836S-T	.090 Smooth/.100 Tread	18	18	36	32-3/4	14-3/4	35
8.	A-TC41B-181848S-T	.090 Smooth/.100 Tread	18	18	48	44-3/4	14-3/4	44
9.	A-TC41B-181854S-T	.090 Smooth/.100 Tread	18	18	54	50-3/4	14-3/4	48
10.	A-TC41B-181860S-T	.090 Smooth/.100 Tread	18	18	60	56-3/4	14-3/4	54
11.	S-TC31C-181824S-*	16 Gauge Steel	18	18	24	20-3/4	14-3/4	50
12.	S-TC31C-181836S-*	16 Gauge Steel	18	18	36	32-3/4	14-3/4	65
13.	S-TC31B-181848S-*	16 Gauge Steel	18	18	48	44-3/4	14-3/4	82
14.	S-TC31B-181854S-*	16 Gauge Steel	18	18	54	50-3/4	14-3/4	90
15.	S-TC31B-181860S-*	16 Gauge Steel	18	18	60	56-3/4	14-3/4	100

Note: *Boxes are available in: Black (XB) and White (XW) Finish – add after part number.

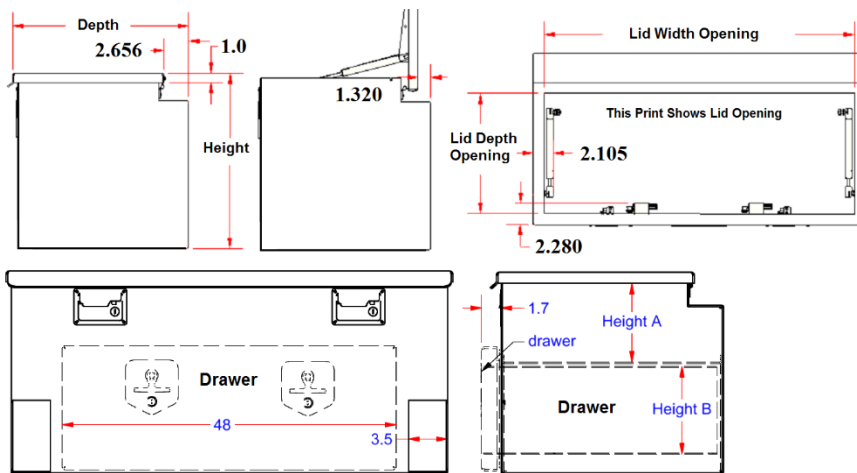
TC – Top-Chest Drawer Boxes - Aluminum & Steel - Single Top Open Inset Lid

Top-chest boxes are heavy duty and offer easy access to your equipment. Boxes can be mounted on truck box, flatbed or trailer. These boxes are perfect for storing your equipment, tools and personal gear. Chest boxes are available in different sizes, and can be ordered custom size. All AMERICAN TRUCKBOXES boxes are designed and built to keep your equipment safe and secure.



Description

- An engineered aluminum or steel construction
- Fully seam welded on all seams and corners
- Stainless steel continuous hinge on full length of lid
- Gas springs to “pop” and keep lid open.
- Channel braced reinforced lid
- Zinc epoxy primer with MR powder baked topcoat finish
- Lockable and linked stainless steel latch from either end
- Adjustable lock striker for positive weather seal
- Automotive type weather seal
- Side carrying handles
- Automotive style latch with smooth rotary action
- Heavy duty drawer
- Mounting kit included - M3200D



Note: Toolboxes less than 48 inches wide come standard with one lock only; however, we can make configuration changes if specified.

No.	Model Number	Material	Height (in.)	Depth (in.)	Width (in.)	Lid Opening Width (in.)	Lid Opening Depth (in.)	Drawer	Fender Notched	Weight (lb.)
1.	A-TC41B-182058S-T1	.090Sm/.100TP	18	20	58	54-5/8	14-5/8	Yes-53"	No	86
2.	A-TC41B-202258S-T1	.090Sm/.100TP	20	22	58	54-5/8	16-5/8	Yes-53"	No	101
3.	A-TC41B-N182058S-T1	.090Sm/.100TP	18	20	58	54-5/8	14-5/8	Yes-43"	Yes	82
4.	A-TC41B-N202258S-T1	.090Sm/.100TP	20	22	58	54-5/8	16-5/8	Yes-43"	Yes	96
5.	A-TC51B-182058S-T1	.125Sm/.100TP	18	20	58	54-5/8	14-5/8	Yes-53"	No	91
6.	A-TC51B-202258S-T1	.125Sm/.100TP	20	22	58	54-5/8	16-5/8	Yes-53"	No	110
7.	A-TC51B-N182058S-T1	.125Sm/.100TP	18	20	58	54-5/8	14-5/8	Yes-43"	Yes	90
8.	A-TC51B-N202258S-T1	.125Sm/.100TP	20	22	58	54-5/8	16-5/8	Yes-43"	Yes	106

Note: *Boxes are available in: Black (XB) and White (XW) Finish – add after part number.

TC – Top-Chest (Offset) Boxes - Aluminum & Steel - Single Top Open Inset Lid

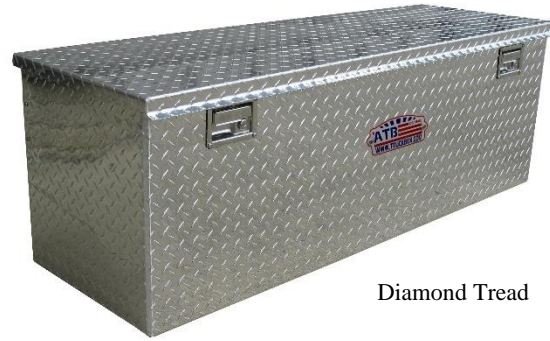
Top-chest boxes are heavy duty and offer easy access to your equipment. Boxes can be mounted on truck box, flatbed or trailer. These boxes are perfect for storing your equipment, tools and personal gear. Chest boxes are available in different sizes, and can be ordered custom size. All AMERICAN TRUCKBOXES boxes are designed and built to keep your equipment safe and secure.

Description

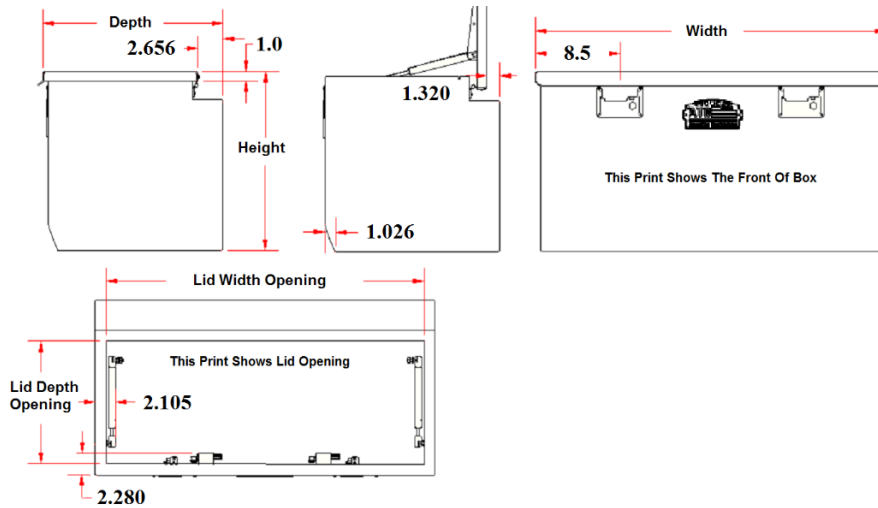
- An engineered aluminum or steel construction
- Fully seam welded on all seams and corners
- Stainless steel continuous hinge on full length of lid
- Gas springs to “pop” and keep lid open.
- Channel braced reinforced lid
- Zinc epoxy primer with MR powder baked topcoat finish
- Lockable and linked stainless steel latch from either end
- Adjustable lock striker for positive weather seal
- Automotive type weather seal
- Automotive style latch with smooth rotary action
- Optional steel sliding tray available (See tray section)
- Drawers available, standard on some boxes
- Mounting kit included - M3200D



End View Showing Inset (Offset) and with Optional Handle



Diamond Tread



Note: Toolboxes less than 48 inches wide come standard with one lock only; however, we can make configuration changes if specified.

No.	Model Number	Material	Height (in.)	Depth (in.)	Width (in.)	Lid Opening Width (in.)	Lid Opening Depth (in.)	Fender Notched	Weight (lb.)
1.	A-TC42C-181824S-TT	.100 Tread	18	18	24	20-5/8	12-5/8	No	30
2.	A-TC42C-181836S-TT	.100 Tread	18	18	36	32-5/8	12-5/8	No	40
3.	A-TC42B-181848S-TT	.100 Tread	18	18	48	44-5/8	12-5/8	No	50
4.	A-TC42B-181854S-TT	.100 Tread	18	18	54	50-5/8	12-5/8	No	55
5.	A-TC42B-181860S-TT	.100 Tread	18	18	60	56-5/8	12-5/8	No	62
6.	A-TC42B-N181860S-TT	.100 Tread	18	18	60	56-5/8	12-5/8	Yes	63
7.	S-TC42C-181824S-*	14 Gauge Steel	18	18	24	20-5/8	12-5/8	No	58
8.	S-TC42C-181836S-*	14 Gauge Steel	18	18	36	32-5/8	12-5/8	No	78
9.	S-TC42B-181848S-*	14 Gauge Steel	18	18	48	44-5/8	12-5/8	No	100
10.	S-TC42B-181854S-*	14 Gauge Steel	18	18	54	50-5/8	12-5/8	No	110
11.	S-TC42B-181860S-*	14 Gauge Steel	18	18	60	56-5/8	12-5/8	No	122

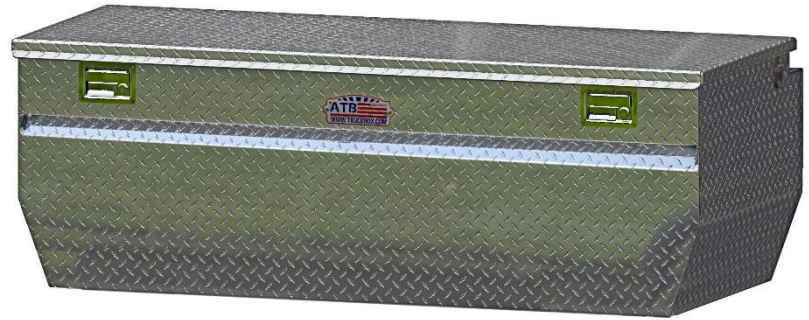
Note: *Boxes are available in: Black (XB) and White (XW) Finish – add after part number.

BC – Pickup Bed Chest (Offset) Boxes - Aluminum & Steel - Single Top Open Inset Lid

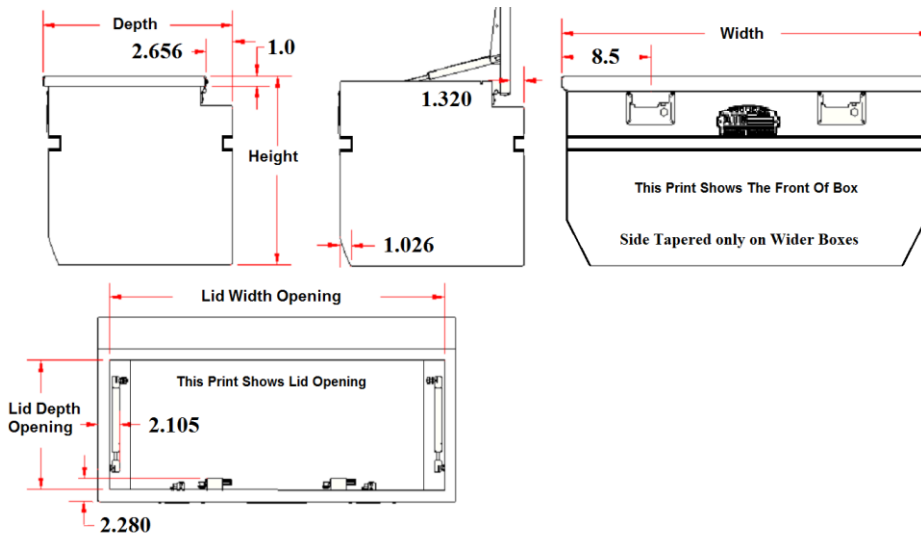
Bed chest boxes are heavy duty and offer easy access to your equipment. Boxes can be mounted on truck box, flatbed or trailer. These boxes are perfect for storing your equipment, tools and personal gear. Chest boxes are available in different sizes, and can be ordered custom size. All AMERICAN TRUCKBOXES boxes are designed and built to keep your equipment safe and secure.

Description

- An engineered aluminum or steel construction
- Fully seam welded on all seams and corners
- Stainless steel continuous hinge on full length of lid
- Gas springs to “pop” and keep lid open.
- Channel braced reinforced lid
- Zinc epoxy primer with MR powder baked topcoat finish
- Lockable and linked stainless steel latch from either end
- Adjustable lock striker for positive weather seal
- Automotive type weather seal
- Automotive style latch with smooth rotary action
- Optional steel sliding tray available (See tray section)
- Drawers available, standard on some boxes
- Mounting kit included - M3200D



Diamond Tread



No.	Model Number	Material	Height (in.)	Depth (in.)	Width (in.)	Lid Opening Width (in.)	Lid Opening Depth (in.)	Sides Tapered	Weight (lb.)
1.	A-BC42C-181836S-TT	.100 Tread	18	18	36	32-5/8	12-5/8	No	40
2.	A-BC42B-181848S-TT	.100 Tread	18	18	48	44-5/8	12-5/8	No	50
3.	A-BC42B-191854S-TT	.100 Tread	19	18	54	50-5/8	12-5/8	No	58
4.	A-BC42B-191860S-TT	.100 Tread	19	18	60	56-5/8	12-5/8	Yes	63
5.	A-BC42B-192062S-TT	.100 Tread	19	20	62	58-5/8	14-5/8	Yes	74
6.	A-BC42B-192462S-TT	.100 Tread	19	24	62	58-5/8	18-5/8	Yes	84
7.	S-BC42C-181836S-*	14 Gauge Steel	18	18	36	32-5/8	12-5/8	No	78
8.	S-BC42B-181848S-*	14 Gauge Steel	18	18	48	44-5/8	12-5/8	No	100
9.	S-BC42B-191854S-*	14 Gauge Steel	19	18	54	50-5/8	12-5/8	No	114
10.	S-BC42B-191860S-*	14 Gauge Steel	19	18	60	56-5/8	12-5/8	Yes	126
11.	S-BC42B-192062S-*	14 Gauge Steel	19	20	62	58-5/8	14-5/8	Yes	142
12.	S-BC42B-192462S-*	14 Gauge Steel	19	24	62	58-5/8	18-5/8	Yes	168

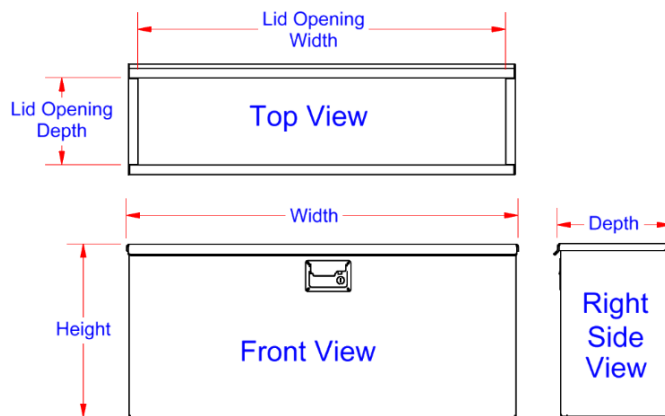
Note: *Boxes are available in: Black (XB) and White (XW) Finish – add after part number.

TC – Top-Chest Slim Design Boxes - Aluminum & Steel - Single Top Open Lid

Top-chest slim boxes are heavy duty and offer easy access to your equipment. Boxes can be mounted on truck box, flatbed or trailer. These boxes are perfect for storing your equipment, tools and personal gear. Chest slim boxes are available in different sizes, and can be ordered custom size. All AMERICAN TRUCKBOXES boxes are designed and built to keep your equipment safe and secure.

Description

- An engineered aluminum or steel powder coated construction
- Fully seam welded on all seams and corners
- Stainless steel continuous hinge on full length of lid
- Flush back to mount against wall
- Channel braced reinforced lid bigger boxes
- Lockable and linked stainless steel latch from either end
- Adjustable lock striker for positive weather seal
- Automotive type weather seal
- Automotive style latch with smooth rotary action
- Mounting kit included - M3200D



Smooth Aluminum

No.	Model Number	Material	Height (in.)	Depth (in.)	Width (in.)	Lid Opening Depth (in.)	Lid Opening Width (in.)	Weight (lb.)
1.	A-TC43-12848-TT	.100 Tread	12	8	48	5-1/16	45-3/8	30
2.	A-TC43-14860-TT	.100 Tread	14	8	60	5-1/16	57-3/8	40
3.	A-TC43-18848-TT	.100 Tread	18	8	48	5-1/16	45-3/8	38
4.	A-TC43-20960-TT	.100 Tread	20	9	60	6-1/16	57-3/8	51
5.	A-TC43-241060-TT	.100 Tread	24	10	60	7-1/16	57-3/8	59
6.	A-TC43-12836-T	.090 Smooth/.100 Tread	12	8	36	5-1/16	33-3/8	19
7.	A-TC43-14848-T	.090 Smooth/.100 Tread	14	8	48	5-1/16	45-3/8	24
8.	A-TC43-18836-T	.090 Smooth/.100 Tread	18	8	36	5-1/16	33-3/8	24
9.	A-TC43-20948-T	.090 Smooth/.100 Tread	20	9	48	6-1/16	45-3/8	34
10.	A-TC43-241060-T	.090 Smooth/.100 Tread	24	10	60	7-1/16	57-3/8	49
11.	S-TC33-12836-*	16 Gauge Steel	12	8	36	5-1/16	33-3/8	34
12.	S-TC33-14848-*	16 Gauge Steel	14	8	48	5-1/16	45-3/8	47
13.	S-TC33-18836-*	16 Gauge Steel	18	8	36	5-1/16	33-3/8	43
14.	S-TC33-20948-*	16 Gauge Steel	20	9	48	6-1/16	45-3/8	61
15.	S-TC33-241060-*	16 Gauge Steel	24	10	60	7-1/16	57-3/8	87

Note: *Boxes are available in: Black (XB) and White (XW) Finish – add after part number.

JS – Job-Safe (Job Site) Security Chest Boxes - Aluminum & Steel - Single Top Open Lid

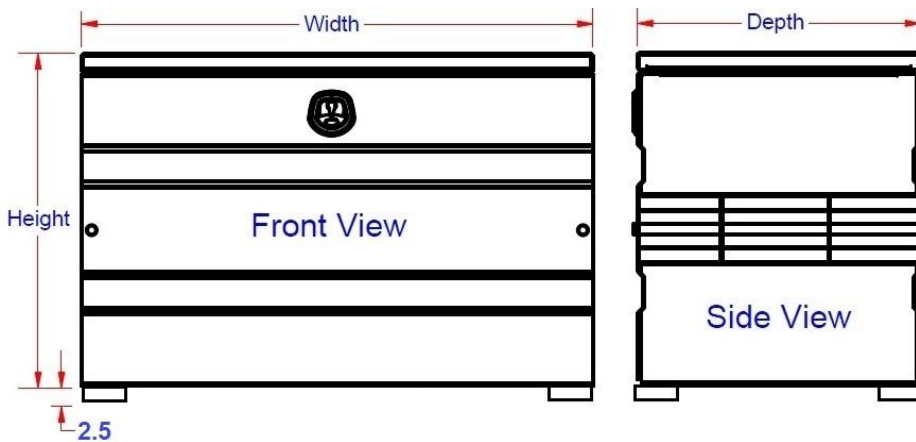
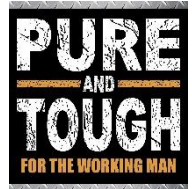
Job-safe chest boxes are super heavy duty and offer easy access to your tools and equipment. Boxes can be mounted on truck box, flatbed or trailer. These boxes are perfect for storing your equipment, tools and personal gear. Chest safe boxes are available in different sizes and can be ordered custom size. All AMERICAN TRUCKBOXES boxes are designed and built to keep your equipment safe and secure.

Description

- An engineered aluminum or steel construction
- Fully seam welded on all seams and corners
- Stainless steel continuous hinge on full length of lid
- Gas Springs to “pop” and keep lid open.
- Channel braced reinforced lid and sides
- Zinc epoxy primer with MR powder baked topcoat finish
- Lockable DT-T-handle plus pad lockable
- Full length of lid security latched lock bar
- Striker for positive weather seal and automotive type weather seal
- Carving handles and tie down full depth of box
- F=Forklift slots - Standard with cross slots



Shown with 4-Way Forklift Slots

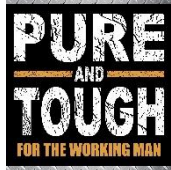


No.	Model Number	Material	Material Fork Slots-Qty.	Height (in.)	Depth (in.)	Width (in.)	Lid Opening Depth (in.)	Lid Opening Width (in.)	Weight (lb.)
1.	A-JS41F-201836-T	.090 Smooth/.100 TP	.125 AL – 2	20	18	36	9-3/4	30.00	42
2.	A-JS41F-201848-T	.090 Smooth/.100 TP	.125 AL – 2	20	18	48	9-3/4	42.00	52
3.	A-JS41F-241836-T	.090 Smooth/.100 TP	.125 AL – 2	24	18	36	9-3/4	30.00	45
4.	A-JS41F-241848-T	.090 Smooth/.100 TP	.125 AL – 2	24	18	48	9-3/4	42.00	56
5.	A-JS41F-242448-T	.090 Smooth/.100 TP	.125 AL – 2	24	24	48	15-3/4	42.00	66
6.	A-JS41F-243036-T	.090 Smooth/.100 TP	.125 AL – 3	24	30	36	21-3/4	30.00	60
7.	A-JS41F-243048-T	.090 Smooth/.100 TP	.125 AL – 3	24	30	48	21-3/4	42.00	74
8.	A-JS41F-243648-T	.090 Smooth/.100 TP	.125 AL – 3	24	36	48	27-3/4	42.00	84
9.	S-JS31F-201836-*	16 Gauge Steel	14 G. Steel – 2	20	18	36	9-3/4	30.00	75
10.	S-JS31F-201848-*	16 Gauge Steel	14 G. Steel – 3	20	18	48	9-3/4	42.00	94
11.	S-JS31F-241836-*	16 Gauge Steel	14 G. Steel – 3	24	18	36	9-3/4	30.00	83
12.	S-JS31F-241848-*	16 Gauge Steel	14 G. Steel – 3	24	18	48	9-3/4	42.00	104
13.	S-JS31F-242448-*	16 Gauge Steel	14 G. Steel – 3	24	24	48	15-3/4	42.00	117
14.	S-JS31F-243036-*	16 Gauge Steel	14 G. Steel – 3	24	30	36	21-3/4	30.00	110
15.	S-JS31F-243048-*	16 Gauge Steel	14 G. Steel – 3	24	30	48	21-3/4	42.00	136
16.	S-JS31F-243648-*	16 Gauge Steel	14 G. Steel – 3	24	36	48	27-3/4	42.00	154

Note: *Boxes are available in: Black (XB) and White (XW) Finish – add after part number.

CS – Chest-Safe (Job Site) Chest Boxes - Aluminum & Steel - Single Top Open Lid

Chest-safe boxes are super heavy duty and offer easy access to your tools and equipment. Boxes can be mounted on truck box, flatbed or trailer. These boxes are perfect for storing your equipment, tools and personal gear. Chest safe boxes are available in different sizes and can be ordered custom size. All AMERICAN TRUCKBOXES boxes are designed and built to keep your equipment safe and secure.

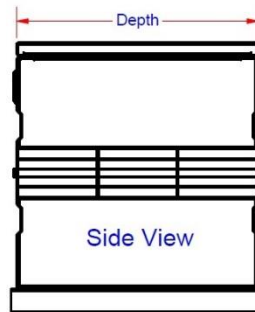
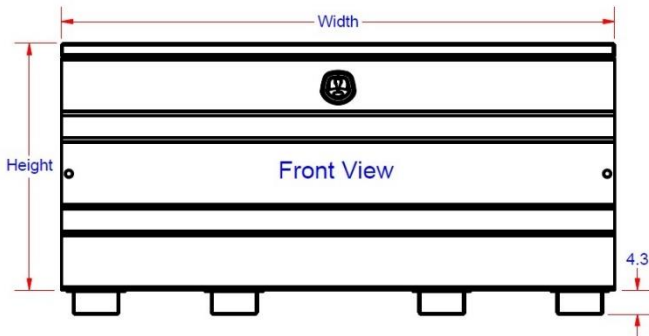


Description

- An engineered aluminum or steel construction
- Fully seam welded on all seams and corners
- Stainless steel continuous hinge on full length of lid
- Gas Springs to “pop” and keep lid open.
- Channel braced reinforced lid and sides
- Zinc epoxy primer with MR powder baked topcoat finish
- Lockable DT-T-handle plus padlock able
- Full length lid security latch lock bar
- Striker for positive weather seal and automotive type weather seal
- Caring handles and tie down full depth of box
- F=Forklift slots – Smaller boxes come standard with two slots



Shown with Forklift Slots



No.	Model Number	Material	Material Fork Slots-Qty.	Height (in.)	Depth (in.)	Width (in.)	Lid Opening Depth (in.)	Lid Opening Width (in.)	Weight (lb.)
1.	A-CS54F-243048-T	.125 Smooth/.125 TP	.125 AL – 3	24	30	48	21-3/4	42.00	108
2.	A-CS54F-243648-T	.125 Smooth/.125 TP	.125 AL – 3	24	36	48	27-3/4	42.00	118
3.	A-CS54F-303060-T	.125 Smooth/.125 TP	.125 AL – 3	30	30	60	21-3/4	54.00	140
4.	A-CS54F-303072-T	.125 Smooth/.125 TP	.125 AL – 3	30	30	72	21-3/4	66.00	160
5.	A-CS54F-342848-T	.125 Smooth/.125 TP	.125 AL – 3	34	28	48	19-3/4	42.00	120
6.	A-CS54F-342860-T	.125 Smooth/.125 TP	.125 AL – 3	34	28	60	19-3/4	54.00	142
7.	A-CS54F-343072-T	.125 Smooth/.125 TP	.125 AL – 3	34	30	72	21-3/4	66.00	191
8.	A-CS54F-363672-T	.125 Smooth/.125 TP	.125 AL – 3	36	36	72	27-3/4	66.00	220
9.	A-CS54F-363696-T	.125 Smooth/.125 TP	.125 AL – 4	36	36	96	27-3/4	90.00	275
10.	S-CS44F-243048-*	14 Gauge Steel	12 G. Steel – 3	24	30	48	21-3/4	42.00	210
11.	S-CS44F-243648-*	14 Gauge Steel	12 G. Steel – 3	24	36	48	27-3/4	42.00	225
12.	S-CS44F-303060-*	14 Gauge Steel	12 G. Steel – 3	30	30	60	21-3/4	54.00	270
13.	S-CS44F-303072-*	14 Gauge Steel	12 G. Steel – 3	30	30	72	21-3/4	66.00	304
14.	S-CS44F-342848-*	14 Gauge Steel	12 G. Steel – 2	34	28	48	19-3/4	42.00	232
15.	S-CS44F-342860-*	14 Gauge Steel	12 G. Steel – 3	34	28	60	19-3/4	54.00	278
16.	S-CS44F-343072-*	14 Gauge Steel	12 G. Steel – 3	34	30	72	21-3/4	66.00	322
17.	S-CS44F-363672-*	14 Gauge Steel	12 G. Steel – 3	36	36	72	21-3/4	66.00	358
18.	S-CS44F-363696-*	14 Gauge Steel	12 G. Steel – 4	36	36	96	29-3/4	90.00	456

Note: *Boxes are available in: Black (XB) and White (XW) Finish – add after part number.

SG - Service Utility Boxes - Aluminum & Steel or Stainless Steel - Single Drop Open Door

Service utility boxes are heavy duty, high capacity and offer easy access to your equipment. Boxes can be mounted on truck, flatbed or trailer. These boxes are perfect for storing your equipment, tools and personal gear. Utility boxes are available in different sizes, and can be ordered custom size. All AMERICAN TRUCKBOXES boxes are designed and built to keep your equipment safe and secure.

Description

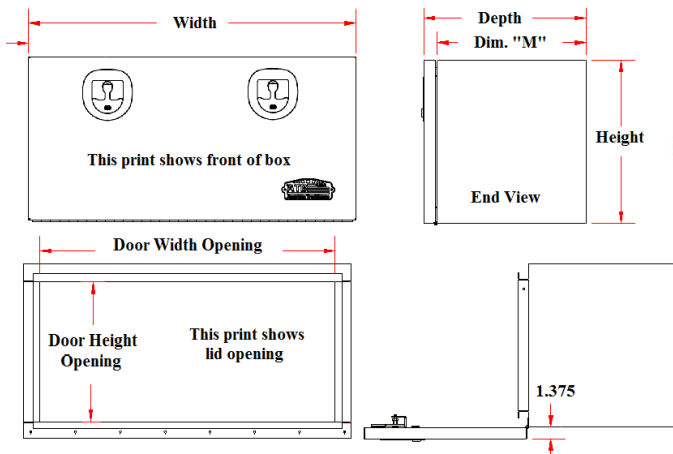
- An engineered aluminum or steel powder coated construction
- Fully seam welded on all seams and corners
- Stainless steel continuous hinge full length of door
- Channel braced reinforced door
- Zinc epoxy primer with MR powder baked topcoat finish
- Lockable SS Dolphin Tail HD adjustable T-handle latch
- 3-point rod system on wider boxes
- Aircraft-type nylon door cable
- Rain gutter and automotive type weather seal
- Mounting kit not included



Steel



Diamond Tread



No.	Model Number	Material	Height (in.)	Depth (in.)	Width (in.)	Dim. "M" (in.)	Door Opening Height (in.)	Door Opening Width (in.)	Weight (lb.)
1.	A-SG41-141436SD-TT	.100 TP	14	14	36	12.250	10.375	32.375	30
2.	A-SG41-161636SD-TT	.100 TP	16	16	36	14.250	12.375	32.375	36
3.	A-SG41-181824SD-TT	.100 TP	18	18	24	16.250	14.375	20.375	32
4.	A-SG41-181836SD-TT	.100 TP	18	18	36	16.250	14.375	32.375	42
5.	A-SG41-181848SD-TT	.100 TP	18	18	48	16.250	14.375	44.375	52
6.	A-SG41-181860SD-TT	.100 TP	18	18	60	16.250	14.375	56.375	62
7.	A-SG41-141436SD-T	.090 Smooth/.100 TP	14	14	36	12.250	10.375	32.375	26
8.	A-SG41-161636SD-T	.090 Smooth/.100 TP	16	16	36	14.250	12.375	32.375	32
9.	A-SG41-181824SD-T	.090 Smooth/.100 TP	18	18	24	16.250	14.375	20.375	28
10.	A-SG41-181836SD-T	.090 Smooth/.100 TP	18	18	36	16.250	14.375	32.375	36
11.	A-SG41-181848SD-T	.090 Smooth/.100 TP	18	18	48	16.250	14.375	44.375	44
12.	A-SG41-181860SD-T	.090 Smooth/.100 TP	18	18	60	16.250	14.375	56.375	54
13.	S-SG41-141436SD-*	14 Gauge Steel	14	14	36	12.250	10.375	32.375	60
14.	S-SG41-161636SD-*	14 Gauge Steel	16	16	48	14.250	12.375	44.375	90
15.	S-SG41-181824SD-*	14 Gauge Steel	18	18	24	16.250	14.375	20.375	60
16.	S-SG41-181836SD-*	14 Gauge Steel	18	18	36	16.250	14.375	32.375	82
17.	S-SG41-181848SD-*	14 Gauge Steel	18	18	48	16.250	14.375	44.375	102
18.	S-SG41-181860SD-*	14 Gauge Steel	18	18	60	16.250	14.375	56.375	122

SG - Service Utility Boxes - Aluminum & Steel or Stainless Steel- Double Drop Open Doors

Service utility boxes are heavy duty, high capacity and offer easy access to your equipment. Boxes can be mounted on truck, flatbed or trailer. These boxes are perfect for storing your equipment, tools and personal gear. Utility boxes are available in different sizes, and can be ordered custom size. All AMERICAN TRUCKBOXES boxes are designed and built to keep your equipment safe and secure.

Description

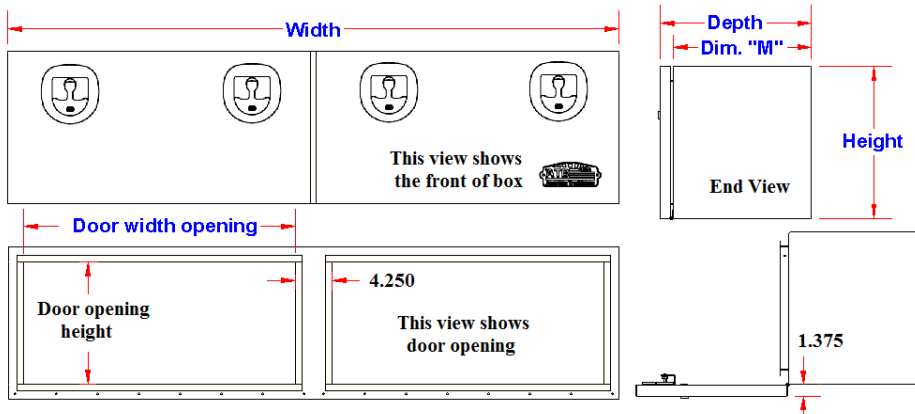
- An engineered aluminum or steel construction
- Fully seam welded on all seams and corners
- Stainless steel continuous hinge on full length of door
- Channel braced reinforced door - aircraft-type nylon door cable
- Zinc epoxy primer with MR powder baked topcoat finish
- Lockable SS Dolphin Tail HD adjustable T-handle latch
- 3-point rod system on wider boxes
- Rain gutter and automotive type weather seal
- Mounting kit not included



Diamond Tread



Steel



Note: Box door is available in: Standard = Smooth (S) or for Diamond Tread (T) and Mirror (M) - change end of part number.

No.	Model Number	Material	Height (in.)	Depth (in.)	Width (in.)	Dim. "M" (in.)	Door Opening Height (in.)	Door Opening Width (in.)	Weight (lb.)
1.	A-SG41-181463DD-TT	.100 TP	18	14	63	12.25	14.30	27.50	62
2.	A-SG41-181472DD-TT	.100 TP	18	14	72	12.25	14.30	32.00	68
3.	A-SG41-181490DD-TT	.100 TP	18	14	90	12.25	14.30	41.00	84
4.	A-SG41-241672DD-TT	.100 TP	24	16	72	14.25	20.30	32.00	86
5.	A-SG41-241690DD-TT	.100 TP	24	16	90	14.25	20.30	41.00	102
6.	A-SG41-181463DD-T	.090 Smooth/.100 TP	18	14	63	12.25	14.30	27.50	54
7.	A-SG41-181472DD-T	.090 Smooth/.100 TP	18	14	72	12.25	14.30	32.00	60
8.	A-SG41-181490DD-T	.090 Smooth/.100 TP	18	14	90	12.25	14.30	41.00	72
9.	A-SG41-241672DD-T	.090 Smooth/.100 TP	24	16	72	14.25	20.30	32.00	74
10.	A-SG41-241690DD-T	.090 Smooth/.100 TP	24	16	90	14.25	20.30	41.00	88
11.	S-SG41-181463DD-*	14 Gauge Steel	18	14	63	12.25	14.30	28.50	116
12.	S-SG41-181472DD-*	14 Gauge Steel	18	14	72	12.25	14.30	32.00	132
13.	S-SG41-181490DD-*	14 Gauge Steel	18	14	90	12.25	14.30	41.00	160
14.	S-SG41-241672DD-*	14 Gauge Steel	24	16	72	14.25	20.30	32.00	162
15.	S-SG41-241690DD-*	14 Gauge Steel	24	16	90	14.25	20.30	41.00	198

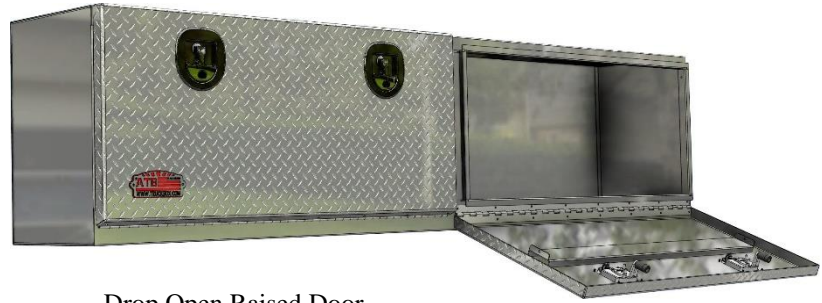
Note: *Boxes are available in: Black (XB) and White (XW) Finish – add after part number.

SG - Service Topside Utility Boxes - Aluminum - Double Drop Open Doors

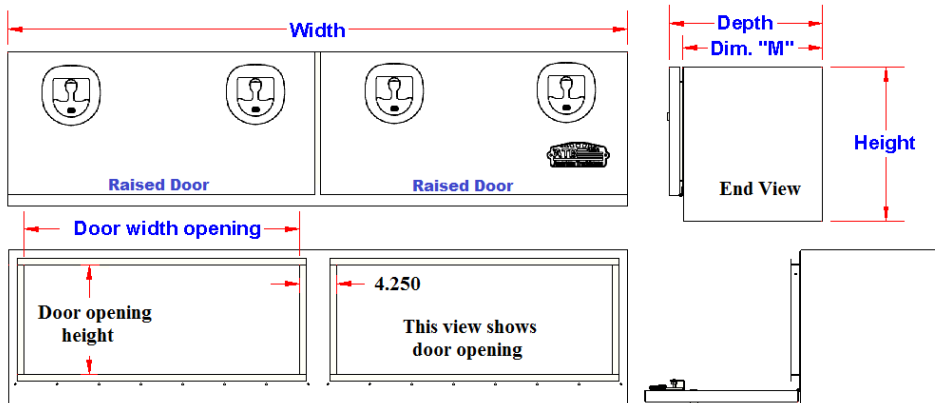
Service utility boxes are heavy duty, high capacity and offer easy access to your equipment. Boxes can be mounted on truck, flatbed or trailer. These boxes are perfect for storing your equipment, tools and personal gear. Utility boxes are available in different sizes, and can be ordered custom size. All AMERICAN TRUCKBOXES boxes are designed and built to keep your equipment safe and secure.

Description

- An engineered aluminum or steel construction
- Fully seam welded on all seams and corners
- Stainless steel continuous hinge on full length of door
- Channel braced reinforced door
- Zinc epoxy primer with MR powder baked topcoat finish
- Lockable SS Dolphin Tail HD adjustable T-handle latch
- 3-point rod system on wider boxes
- Rain gutter and automotive type weather seal
- Heavy duty aircraft-type nylon door cable
- Mounting kit not included



Drop Open Raised Door



Note: Box door is available in: Standard = Smooth (S) or for Diamond Tread (T) and Mirror (M) - change end of part number.

No.	Model Number	Material	Height (in.)	Depth (in.)	Width (in.)	Dim. "M" (in.)	Door Opening Height (in.)	Door Opening Width (in.)	Weight (lb.)
1.	A-SG42-161463SD-TT	.100 TP	16	14	63	12	12	59	56
2.	A-SG42-161472SD-TT	.100 TP	16	14	72	12	12	68	63
3.	A-SG42-161488DD-TT	.100 TP	16	14	88	12	12	47	74
4.	A-SG42-181663SD-TT	.100 TP	18	16	63	14	14	59	64
5.	A-SG42-181672SD-TT	.100 TP	18	16	72	14	14	68	72
6.	A-SG42-181688DD-TT	.100 TP	18	16	88	14	14	47	83
7.	A-SG42-181690DD-TT	.100 TP	18	16	90	14	14	41	85
8.	A-SG42-181696DD-TT	.100 TP	18	16	96	14	14	51	89
9.	A-SG42-211672SD-TT	.100 TP	21	16	72	14	17	68	78
10.	A-SG42-211684DD-TT	.100 TP	21	16	84	14	17	46	86
11.	A-SG42-211688DD-TT	.100 TP	21	16	88	14	17	47	90
12.	A-SG42-211696DD-TT	.100 TP	21	16	96	14	17	51	97
13.	A-SG42-241672SD-TT	.100 TP	24	16	72	14	20	68	84
14.	A-SG42-241690DD-TT	.100 TP	24	16	90	14	20	41	92
15.	A-SG42-241696DD-TT	.100 TP	24	16	96	14	20	51	98

Note: *Boxes are available in: Black (XB) and White (XW) Finish – add after part number.

SG - Service Topside Utility Boxes - Aluminum - Double Drop Open Door

Service topside utility boxes are heavy duty, high capacity and offer easy access to your equipment. Boxes can be mounted on truck rail, flatbed or trailer. These boxes are perfect for storing your equipment, tools and personal gear. Utility boxes are available in different sizes, and can be ordered custom size. All AMERICAN TRUCKBOXES boxes are designed and built to keep your equipment safe and secure.

Description

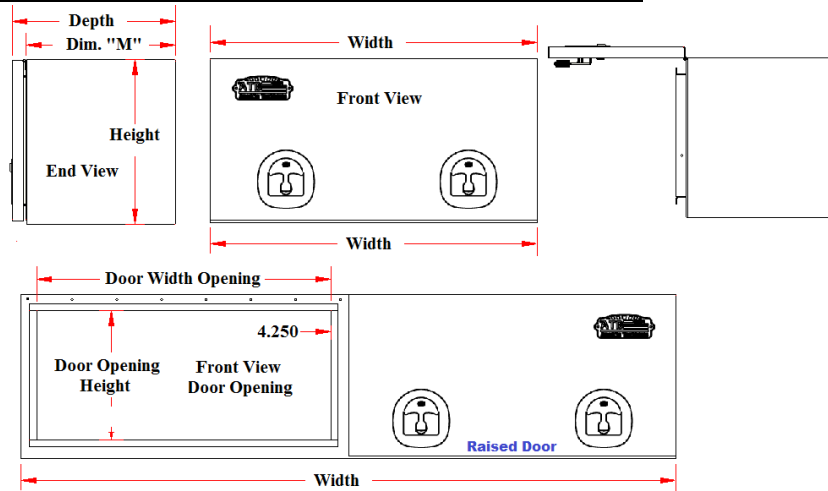
- An engineered aluminum or steel construction
- Fully seam welded on all seams and corners
- Stainless steel continuous hinge on full length of door
- Channel braced reinforced door with gas springs
- Zinc epoxy primer with MR powder baked topcoat finish
- Lockable SS Dolphin Tail HD adjustable T-handle latch
- Rain gutter and automotive type weather seal
- Mounting kit not included



Top Hinged Box



Aluminum Top Hinged with Storage Bins



Note: Box door is available in: Standard = Smooth (S) or for Diamond Tread (T) and Mirror (M) - change end of part number.

No.	Model Number	Material	Height (in.)	Depth (in.)	Width (in.)	Dim. "M" (in.)	Door Opening Height (in.)	Door Opening Width (in.)	Weight (lb.)
1.	A-SG41-161463ST-TT	.100 TP	16	14	63	12	12	59	56
2.	A-SG41-161472ST-TT	.100 TP	16	14	72	12	12	68	63
3.	A-SG41-161488DT-TT	.100 TP	16	14	88	12	12	47	74
4.	A-SG41-181663ST-TT	.100 TP	18	16	63	14	14	59	64
5.	A-SG41-181672ST-TT	.100 TP	18	16	72	14	14	68	72
6.	A-SG41-181688DT-TT	.100 TP	18	16	88	14	14	47	83
7.	A-SG41-181690DT-TT	.100 TP	18	16	90	14	14	41	85
8.	A-SG41-181696DT-TT	.100 TP	18	16	96	14	14	51	89
9.	A-SG41-211672ST-TT	.100 TP	21	16	72	14	17	68	78
10.	A-SG41-211684DT-TT	.100 TP	21	16	84	14	17	46	86
11.	A-SG41-211688DT-TT	.100 TP	21	16	88	14	17	47	90
12.	A-SG41-211696DT-TT	.100 TP	21	16	96	14	17	51	97
13.	A-SG41-241672ST-TT	.100 TP	24	16	72	14	20	68	84
14.	A-SG41-241690DT-TT	.100 TP	24	16	90	14	20	41	92
15.	A-SG41-241696DT-TT	.100 TP	24	16	96	14	20	51	98
16.	A-SG41-241872ST-TT	.100 TP	24	18	72	16	20	68	87
17.	A-SG41-241896DT-TT	.100 TP	24	18	96	16	20	51	104

Note: *Boxes are available in: Black (XB) and White (XW) Finish – add after part number.

SG – Service Utility Boxes – Aluminum, Steel or Stainless Steel - Single Side Open Door

Service utility boxes are heavy duty, high capacity and offer easy access to your equipment. Boxes can be mounted on truck, flatbed or trailer. These boxes are perfect for storing your equipment, tools and personal gear. Utility boxes are available in different sizes, and can be ordered custom size. All AMERICAN TRUCKBOXES boxes are designed and built to keep your equipment safe and secure.

Description

- An engineered aluminum or steel construction
- Fully seam welded on all seams and corners
- Stainless steel continuous hinge full length of door
- Channel braced reinforced door
- Zinc epoxy primer with MR powder baked topcoat finish
- Lockable SS Dolphin Tail HD adjustable T-handle latch
- 3-point rod system on wider boxes
- Aircraft-type nylon door cable
- Rain gutter and automotive type weather seal
- **Optional - gas spring**
- **Mounting kit not included**

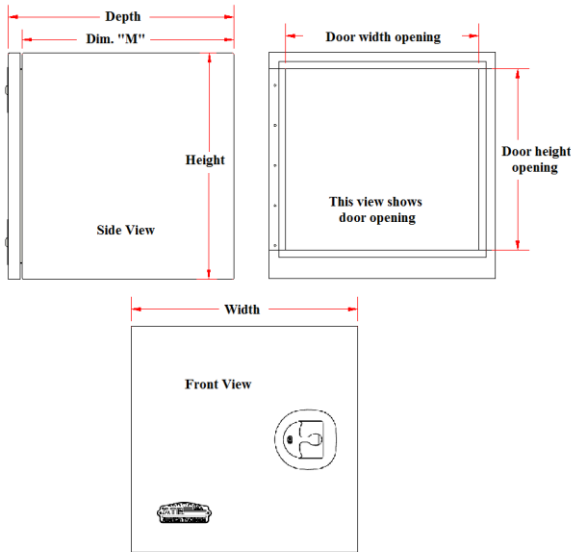


Steel



Smooth

Diamond Tread



Note: Box door is available in: Standard = Smooth (S) or for Diamond Tread (T) and Mirror (M) - change end of part number.

No.	Model Number	Material	Height (in.)	Depth (in.)	Width (in.)	Dim. "M" (in.)	Door Opening Height (in.)	Door Opening Width (in.)	Weight (lb.)
1.	A-SG41-181824SL-TT	.100 TP	18	18	24	16.250	14.375	20.375	32
2.	A-SG41-242424SL-TT	.100 TP	24	24	24	22.250	20.375	20.375	44
3.	A-SG41-242430SL-TT	.100 TP	24	24	30	22.250	20.375	26.375	50
4.	A-SG41-242436SL-TT	.100 TP	24	24	36	22.250	20.375	32.375	56
5.	A-SG41-181824SL-T	.090 Smooth/.100 TP	18	18	24	16.250	14.375	20.375	25
6.	A-SG41-242424SL-T	.090 Smooth/.100 TP	24	24	24	22.250	20.375	20.375	36
7.	A-SG41-242430SL-T	.090 Smooth/.100 TP	24	24	30	22.250	20.375	26.375	42
8.	A-SG41-242436SL-T	.090 Smooth/.100 TP	24	24	36	22.250	20.375	32.375	48
9.	S-SG41-181824SL-*	14 Gauge Steel	18	18	24	16.250	16.375	20.375	62
10.	S-SG41-242424SL-*	14 Gauge Steel	24	24	24	22.250	20.375	20.375	85
11.	S-SG41-242430SL-*	14 Gauge Steel	24	24	30	22.250	20.375	26.375	98
12.	S-SG41-242436SL-*	14 Gauge Steel	24	24	36	22.250	20.375	32.375	112

Note: *Boxes are available in: Black (XB) and White (XW) Finish – add after part number.

Add a S to the beginning of the part number for Stainless Steel

SG – Service Utility Boxes - Aluminum, Steel or Stainless Steel - Double Side Open Doors

Service utility boxes are heavy duty, high capacity and offer easy access to your equipment. Boxes can be mounted on truck, flatbed or trailer. These boxes are perfect for storing your equipment, tools and personal gear. Utility boxes are available in different sizes, and can be ordered custom size. All AMERICAN TRUCKBOXES boxes are designed and built to keep your equipment safe and secure.

Description

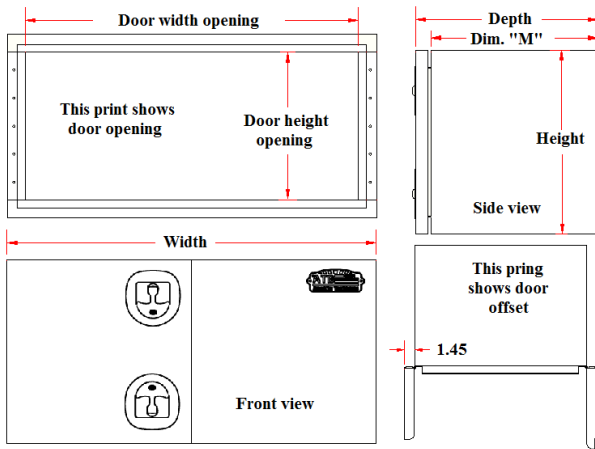
- An engineered aluminum or steel construction
- Fully seam welded on all seams and corners
- Stainless steel continuous hinge full length of door
- Channel braced reinforced door
- Zinc epoxy primer with MR powder baked topcoat finish
- Lockable SS Dolphin Tail HD adjustable T-handle latch
- 3-point rod system on wider boxes
- Aircraft-type nylon door cable
- Rain gutter and automotive type weather seal
- **Optional - gas spring on top hinged boxes**
- Mounting kit not included



Diamond Tread



Steel



Note: Box door is available in: Standard = Smooth (S) or for Diamond Tread (T) and Mirror (M) – change end

No.	Model Number	Material	Height (in.)	Depth (in.)	Width (in.)	Dim. "M" (in.)	Door Opening Height (in.)	Door Opening Width (in.)	Weight (lb.)
1.	A-SG41-181836DL-TT	.100 TP	18	18	36	16.250	14.375	32.375	42
2.	A-SG41-181848DL-TT	.100 TP	18	18	48	16.250	14.375	44.375	52
3.	A-SG41-181860DL-TT	.100 TP	18	18	60	16.250	14.375	56.375	62
4.	A-SG41-182436DL-TT	.100 TP	18	24	36	22.250	14.375	32.375	48
5.	A-SG41-182448DL-TT	.100 TP	18	24	48	22.250	14.375	44.375	62
6.	A-SG41-181836DL-T	.090 Smooth/.100 TP	18	18	36	16.250	14.375	32.375	36
7.	A-SG41-181848DL-T	.090 Smooth/.100 TP	18	18	48	16.250	14.375	44.375	44
8.	A-SG41-181860DL-T	.090 Smooth/.100 TP	18	18	60	16.250	14.375	56.375	52
9.	A-SG41-182436DL-T	.090 Smooth/.100 TP	18	24	36	22.250	14.375	32.375	40
10.	A-SG41-182448DL-T	.090 Smooth/.100 TP	18	24	48	22.250	14.375	44.375	50
11.	S-SG41-181836DL-*	14 Gauge Steel	18	18	36	16.250	14.375	32.375	82
12.	S-SG41-181848DL-*	14 Gauge Steel	18	18	48	16.250	14.375	44.375	102
13.	S-SG41-181860DL-*	14 Gauge Steel	18	18	60	16.250	14.375	56.375	124
14.	S-SG41-182436DL-*	14 Gauge Steel	18	24	36	22.250	14.375	32.375	96
15.	S-SG41-182448DL-*	14 Gauge Steel	18	24	48	22.250	14.375	44.375	120

Note: *Boxes are available in: Black (XB) and White (XW) Finish – add after part number.

Add a S to the beginning of the part number for Stainless Steel

SR – Service Utility Boxes – Aluminum, Steel or Stainless Steel - Single Drop Open Door

Service utility boxes are heavy duty, high capacity and offer easy access to your equipment. Boxes can be mounted on truck, flatbed or trailer. These boxes are perfect for storing your equipment, tools and personal gear. Utility boxes are available in different sizes, and can be ordered custom size. All AMERICAN TRUCKBOXES boxes are designed and built to keep your equipment safe and secure.

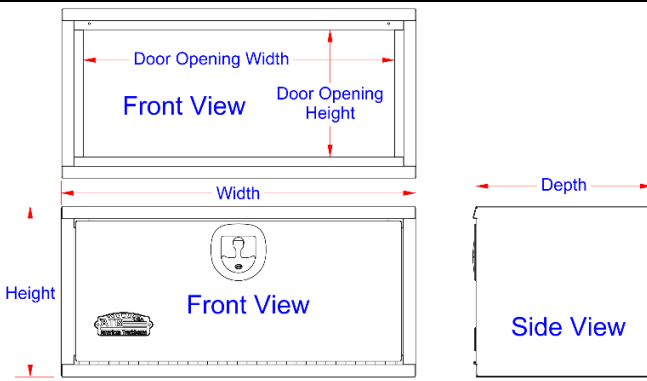
Description

- An engineered aluminum or steel construction
- Fully seam welded on all seams and corners
- Stainless steel continuous hinge full length of door
- Channel braced reinforced door
- Zinc epoxy primer with MR powder baked topcoat finish
- Lockable SS HD adjustable DT-T-handle 3-Point latch
- Aircraft-type HD nylon door cable
- Top rain gutter and automotive type weather seal
- Optional - gas spring on top hinged boxes
- Mounting kit not included

Smooth



Steel/Aluminum



Note: Box door is available in: Standard = Smooth (S) or for Diamond Tread (T) and Mirror (M) - change end of part number.

No.	Model Number	Material	Height (in.)	Depth (in.)	Width (in.)	Door Opening Height (in.)	Door Opening Width (in.)	Weight (lb.)
1.	A-SR41-141436SD-M	.090 Smooth/16g SS-M	14	14	36	9.50	31.50	33
2.	A-SR41-161636SD-M	.090 Smooth/16g SS-M	16	16	36	11.50	31.50	40
3.	A-SR41-181824SD-M	.090 Smooth/16g SS-M	18	18	24	13.50	19.50	35
4.	A-SR41-181836SD-M	.090 Smooth/16g SS-M	18	18	36	13.50	31.50	46
5.	A-SR41-181848SD-M	.090 Smooth/16g SS-M	18	18	48	13.50	43.50	58
6.	A-SR41-181860SD-M	.090 Smooth/16g SS-M	18	18	60	13.50	55.50	68
7.	A-SR41-141436SD-T	.090 Smooth/.100 Tread	14	14	36	9.50	31.50	26
8.	A-SR41-161636SD-T	.090 Smooth/.100 Tread	16	16	36	11.50	31.50	32
9.	A-SR41-181824SD-T	.090 Smooth/.100 Tread	18	18	24	13.50	19.50	28
10.	A-SR41-181836SD-T	.090 Smooth/.100 Tread	18	18	36	13.50	31.50	36
11.	A-SR41-181848SD-T	.090 Smooth/.100 Tread	18	18	48	13.50	43.50	44
12.	A-SR41-181860SD-T	.090 Smooth/.100 Tread	18	18	60	13.50	55.50	54
13.	S-SR41-141436SD-*	14 Gauge Steel	14	14	36	9.50	31.50	60
14.	S-SR41-161636SD-*	14 Gauge Steel	16	16	36	11.50	31.50	68
15.	S-SR41-181824SD-*	14 Gauge Steel	18	18	24	13.50	19.50	62
16.	S-SR41-181836SD-*	14 Gauge Steel	18	18	36	13.50	31.50	82
17.	S-SR41-181848SD-*	14 Gauge Steel	18	18	48	13.50	43.50	102
18.	S-SR41-181860SD-*	14 Gauge Steel	18	18	60	13.50	55.50	122

Note: *Boxes are available in: Black (XB) and White (XW) Finish – add after part number.

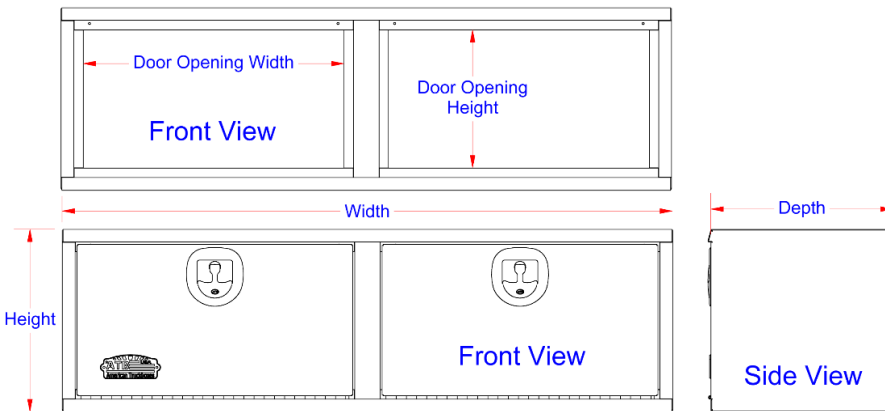
SR – Service Utility Boxes – Aluminum, Steel or Stainless Steel - Double Drop Open Doors

Service utility boxes are heavy duty, high capacity and offer easy access to your equipment. Boxes can be mounted on truck, flatbed or trailer. These boxes are perfect for storing your equipment, tools and personal gear. Utility boxes are available in different sizes, and can be ordered custom size. All AMERICAN TRUCKBOXES boxes are designed and built to keep your equipment safe and secure.



Description

- An engineered aluminum or steel construction
- Fully seam welded on all seams and corners
- Stainless steel continuous hinge on full length of door
- Channel braced reinforced door
- Zinc epoxy primer with MR powder baked topcoat finish
- Lockable SS HD adjustable DT-T-handle 3-Point latch
- Aircraft-type HD nylon door cable
- Rain gutter and automotive type weather seal
- Optional - gas spring on top hinged boxes
- Mounting kit not included



Note: Box door is available in: Standard = Smooth (S) or for Diamond Tread (T) and Mirror (M) - change end of part number.

No.	Model Number	Material	Height (in.)	Depth (in.)	Width (in.)	Door Opening Height (in.)	Door Opening Width (in.)	Weight (lb.)
1.	A-SR41-181463DD-M	.090 Smooth/16g SS-M	18	14	63	13.50	26.50	66
2.	A-SR41-181472DD-M	.090 Smooth/16g SS-M	18	14	72	13.50	31.50	72
3.	A-SR41-181490DD-M	.090 Smooth/16g SS-M	18	14	90	13.50	40.50	90
4.	A-SR41-241672DD-M	.090 Smooth/16g SS-M	24	16	72	19.50	31.50	92
5.	A-SR41-241690DD-M	.090 Smooth/16g SS-M	24	16	90	19.50	40.50	110
6.	A-SR41-181463DD-T	.090 Smooth/.100 TP	18	14	63	13.50	26.50	52
7.	A-SR41-181472DD-T	.090 Smooth/.100 TP	18	14	72	13.50	31.50	58
8.	A-SR41-181490DD-T	.090 Smooth/.100 TP	18	14	90	13.50	40.50	70
9.	A-SR41-211688DD-T	.090 Smooth/.100 TP	21	16	88	16.50	39.50	79
10.	A-SR41-211690DD-T	.090 Smooth/.100 TP	21	16	90	16.50	40.50	82
11.	A-SR41-241672DD-T	.090 Smooth/.100 TP	24	16	72	19.50	31.50	72
12.	A-SR41-241690DD-T	.090 Smooth/.100 TP	24	16	90	19.50	40.50	86
13.	S-SR41-181463DD-*	14 Gauge Steel	18	14	63	13.50	27.50	116
14.	S-SR41-181472DD-*	14 Gauge Steel	18	14	72	13.50	31.50	132
15.	S-SR41-181490DD-*	14 Gauge Steel	18	14	90	13.50	40.50	160
16.	S-SR41-241672DD-*	14 Gauge Steel	24	16	72	19.50	31.50	162
17.	S-SR41-241690DD-*	14 Gauge Steel	24	16	90	19.50	40.50	198

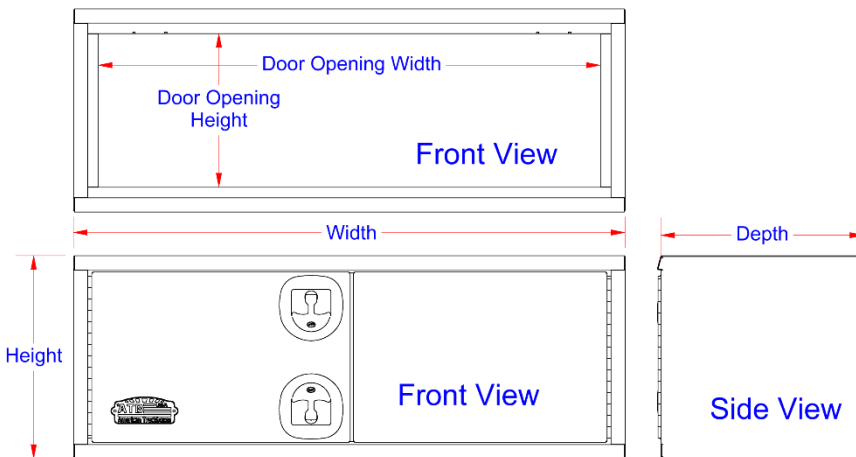
Note: *Boxes are available in: Black (XB) and White (XW) Finish – add after part number.

SR – Service Utility Boxes – Aluminum, Steel or Stainless Steel – Double Side Open Doors

Service utility boxes are heavy duty, high capacity and offer easy access to your equipment. Boxes can be mounted on truck, flatbed or trailer. These boxes are perfect for storing your equipment, tools and personal gear. Utility boxes are available in different sizes, and can be ordered custom size. All AMERICAN TRUCKBOXES boxes are designed and built to keep your equipment safe and secure.

Description

- An engineered aluminum or steel construction
- Fully seam welded on all seams and corners
- Stainless steel continuous hinge full length of door
- Channel braced reinforced door
- Zinc epoxy primer with MR powder baked topcoat finish
- Lockable SS Dolphin Tail HD adjustable T-handle latch
- Aircraft-type nylon door cable
- Rain gutter and automotive type weather seal
- Optional - gas spring on top hinged boxes
- Mounting kit not included



Note: Box door is available in: Standard = Smooth (S) or for Diamond Tread (T) and Mirror (M) - change end of part number.

No.	Model Number	Material	Height (in.)	Depth (in.)	Width (in.)	Door Opening Height (in.)	Door Opening Width (in.)	Weight (lb.)
1.	A-SR41-181836DL-TT	.100 TP	18	18	36	13.50	31.50	42
2.	A-SR41-181848DL-TT	.100 TP	18	18	48	13.50	43.50	52
3.	A-SR41-181860DL-TT	.100 TP	18	18	60	13.50	55.50	62
4.	A-SR41-182436DL-TT	.100 TP	18	24	36	13.50	31.50	48
5.	A-SR41-182448DL-TT	.100 TP	18	24	48	13.50	43.50	62
6.	A-SR41-181836DL-T	.090 Smooth/.100 TP	18	18	36	13.50	31.50	36
7.	A-SR41-181848DL-T	.090 Smooth/.100 TP	18	18	48	13.50	43.50	44
8.	A-SR41-181860DL-T	.090 Smooth/.100 TP	18	18	60	13.50	55.50	52
9.	A-SR41-182436DL-T	.090 Smooth/.100 TP	18	24	36	13.50	31.50	40
10.	A-SR41-182448DL-T	.090 Smooth/.100 TP	18	24	48	13.50	43.50	50
11.	S-SR41-181836DL-*	14 Gauge Steel	18	18	36	13.50	31.50	82
12.	S-SR41-181848DL-*	14 Gauge Steel	18	18	48	13.50	43.50	102
13.	S-SR41-181860DL-*	14 Gauge Steel	18	18	60	13.50	55.50	124
14.	S-SR41-182436DL-*	14 Gauge Steel	18	24	36	13.50	31.50	96
15.	S-SR41-182448DL-*	14 Gauge Steel	18	24	48	13.50	43.50	120

Note: *Boxes are available in: Black (XB) and White (XW) Finish – add after part number.

Add a S to the beginning of the part number for Stainless Steel

SRT – Service Utility Tank Storage Boxes - Steel - Single & Double Side Open Door(s)

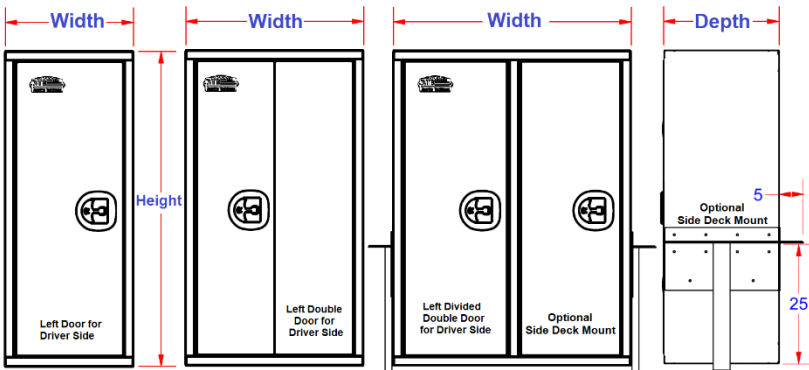
Service utility tank storage boxes are heavy duty and offer easy access to your tank or equipment. Boxes can be mounted on truck flatbed or trailer. These boxes are perfect for storing your tanks, equipment and tools. Tank storage service boxes are available in different sizes, and can be ordered custom size. All AMERICAN TRUCKBOXES boxes are designed and built to keep your equipment safe and secure.

Description

- An engineered steel construction
- Fully seam welded on all seams and corners
- Stainless steel continuous hinge full length of door
- Channel braced reinforced door with gas spring door supports
- Lockable SS Dolphin Tail HD adjustable T-handle latch 3-point
- Rain gutter and automotive type weather seal
- Zinc epoxy primer with MR powder baked topcoat finish
- Top & bottom tank saddles for positive tank security
- Heavy 1/8” (10g) thick reinforced floor for tanks
- Heavy duty drawer slides
- **Optional M - L-shape side deck mount available**
- Mounting kit not included



SRT Models



SRT Models

SRT Models with Drawers and Shelves

Note: *Boxes are available in: Black (XB) and White (XW) Finish – add after part number.

No.	Model Number	Material	Tanks Left-Qty	Shelves/ Drawers Right-Qty	Height (in.)	Depth (in.)	Width (in.)	Door Opening Height (in.)	Door Opening Width (in.)	Weight (lb.)
1.	S-SRT41-651624SL-*2	14g Steel	2T	N/A	65	16	24	60	19-1/2	169
2.	S-SRT41-651830SL-*2	14g Steel	2T	N/A	65	18	30	60	25-1/2	211
3.	S-SRT41-652036SL-*3	14g Steel	3T	N/A	65	20	36	60	31-1/2	258
4.	S-SRT41-652436SL-*3	14g Steel	3T	N/A	65	24	36	60	31-1/2	290
5.	S-SRT41-651624DL-*2	14g Steel	2T	N/A	65	16	24	60	19-1/2	172
6.	S-SRT41-651830DL-*2	14g Steel	2T	N/A	65	18	30	60	25-1/2	214
7.	S-SRT41-652036DL-*3	14g Steel	3T	N/A	65	20	36	60	31-1/2	262
8.	S-SRT41-652436DL-*3	14g Steel	3T	N/A	65	24	36	60	31-1/2	293
9.	S-SRT53M-652060DL-*239	12g Steel	2T	3S/9D	65	20	60	60	25	1070
10.	S-SRT53M-652460DL-*239	12g Steel	2T	3S/9D	65	24	60	60	25	1205
11.	S-SRT53M-652072DL-*339	12g Steel	3T	3S/9D	65	20	72	60	31	1180
12.	S-SRT53M-652472DL-*339	12g Steel	3T	3S/9D	65	24	72	60	31	1310

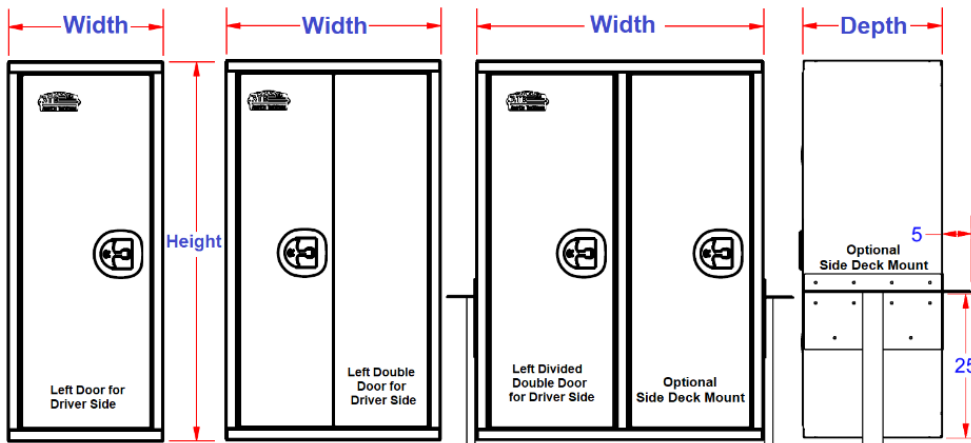
Note: Boxes are available in different configuration and custom sizes; call the factory for different sizes and options.

SRD – Service Utility Storage Boxes - Steel - Single & Double Side Open Door(s)

Service utility tank storage boxes are heavy duty and offer easy access to your tank or equipment. Boxes can be mounted on truck flatbed or trailer. These boxes are perfect for storing your tanks, equipment and tools. Tank storage service boxes are available in different sizes, and can be ordered custom size. All AMERICAN TRUCKBOXES boxes are designed and built to keep your equipment safe and secure.

Description

- An engineered steel construction
- Fully seam welded on all seams and corners
- Stainless steel continuous hinge full length of door
- Channel braced reinforced door with gas spring door supports
- Lockable SS Dolphin Tail HD adjustable T-handle latch 3-point
- Rain gutter and automotive type weather seal
- Zinc epoxy primer with MR powder baked topcoat finish
- Removeable divider in drawers
- Heavy adjustable shelves
- Heavy duty drawer slides
- L-shape side deck mount available
- Mounting kit included



Note: *Boxes are available in: Black (XB) and White (XW) Finish – add after part number.

No.	Model Number	Material	Shelves Left-Qty	Shelves/ Drawers Right-Qty	Height (in.)	Depth (in.)	Width (in.)	Door Opening Height (in.)	Door Opening Width (in.)	Weight (lb.)
1.	S-SRD53M-652024SL-*39	12g Steel	N/A	3S/9D	65	20	24	60	19	434
2.	S-SRD53M-652036SL-*39	12g Steel	N/A	3S/9D	65	20	36	60	31	650
3.	S-SRD53M-652048DL-*739	12g Steel	7S	3S/9D	65	20	48	60	19	890
4.	S-SRD53M-652060DL-*739	12g Steel	7S	3S/9D	65	20	60	60	25	1090
5.	S-SRD53M-652460DL-*739	12g Steel	7S	3S/9D	65	24	60	60	25	1230
6.	S-SRD53M-652072DL-*739	12g Steel	7S	3S/9D	65	20	72	60	31	1210
7.	S-SRD53M-652472DL-*739	12g Steel	7S	3S/9D	65	24	72	60	31	1340

Note: Boxes are available in different configuration and custom sizes; call the factory for different sizes and options.

AF - A-Frame Boxes - Aluminum & Steel - Single Top Open Lid

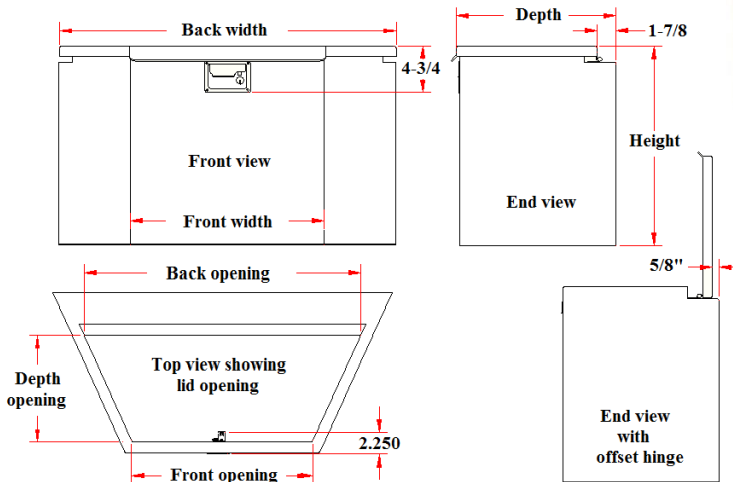
A-frame boxes are heavy duty, high capacity and offer easy access to your equipment. Boxes can be mounted on A-frame trailer or many other applications. These boxes are perfect for storing your equipment, tools and personal gear. A-frame boxes are available in different sizes, and can be ordered custom size. All AMERICAN TRUCKBOXES boxes are designed and built to keep your equipment safe and secure.

Description	
•	An engineered aluminum or steel construction
•	Fully seam welded on all seams and corners
•	Stainless steel continuous hinge on full length of lid
•	Recessed hinge system for flush mounting
•	Channel braced reinforced lid
•	Gas springs to “pop” and keep lid open
•	Zinc epoxy primer with MR powder baked topcoat finish
•	Lockable stainless steel adjustable latch
•	Rain gutter and automotive type weather seal
•	Automotive style latch with smooth rotary action
•	Mounting kit included – M3300F

Diamond Tread



Steel



No.	Model Number	Material	Height (in.)	Depth (in.)	Rear Width (in.)	Front Width (in.)	Lid Back Opening Width (in.)	Lid Front Opening Width (in.)	Weight (lb.)
1.	A-AF31-081635-TT	.063 TP	8	16	35	20	20-1/2	18-5/8	17
2.	A-AF31-141430-TT	.063 TP	14	14	30	15	15-1/2	13-5/8	17
3.	A-AF31-141635-TT	.063 TP	14	16	35	20	20-1/2	18-5/8	21
4.	A-AF31-201635-TT	.063 TP	20	16	35	20	20-1/2	18-5/8	23
5.	A-AF41-141430-TT	.100 TP	14	14	30	15	15-1/2	13-5/8	24
6.	A-AF41-141635-TT	.100 TP	14	16	35	20	20-1/2	18-5/8	30
7.	A-AF41-201635-TT	.100 TP	20	16	35	20	20-1/2	18-5/8	36
8.	A-AF41-241643-TT	.100 TP	24	16	43	28	20-1/2	26-5/8	42
9.	S-AF41-141430-*	14 Gauge Steel	14	14	30	15	15-1/2	13-5/8	52
10.	S-AF41-141635-*	14 Gauge Steel	14	16	35	20	20-1/2	18-5/8	64
11.	S-AF41-201635-*	14 Gauge Steel	20	16	35	20	20-1/2	18-5/8	75
12.	S-AF41-241635-*	14 Gauge Steel	24	16	35	20	20-1/2	18-5/8	84
13.	S-AF41-241643-*	14 Gauge Steel	24	16	43	28	20-1/2	26-5/8	105

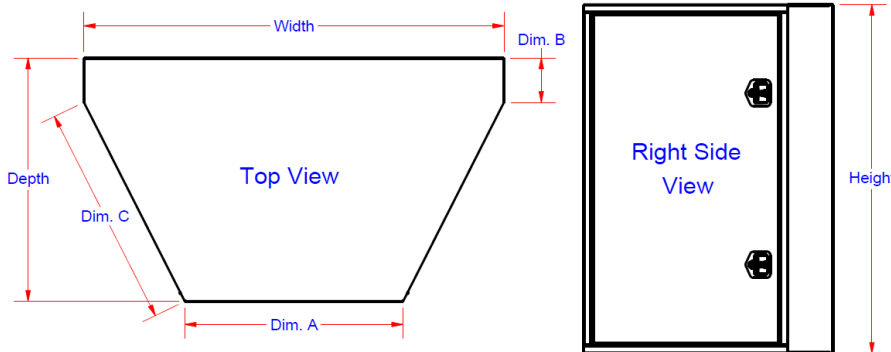
Note: *Boxes are available in: Black (XB) and White (XW) Finish – add after part number.

FS - Front Side A-Frame Boxes - Aluminum & Steel - Side Open Doors

Front side A-frame boxes are heavy duty, high capacity and offer easy access to your equipment. Boxes can be mounted on A-frame trailer or many other applications. These boxes are perfect for storing your equipment, tools and personal gear. A-frame boxes are available in different sizes, and can be ordered custom size. All AMERICAN TRUCKBOXES boxes are designed and built to keep your equipment safe and secure.

Description

- An engineered aluminum or steel construction
- Fully seam welded on all seams and corners
- Stainless steel continuous hinge on full length of lid
- Recessed hinge system for flush mounting
- Channel braced reinforced door with gas springs
- Zinc epoxy primer with MR powder baked topcoat finish
- Lockable stainless steel adjustable DT-T-Handle latch
- Rain gutter and automotive type weather seal
- Automotive style latch with smooth rotary action
- Adjustable shelf full height of box
- Mounting kit not included



No.	Model Number	Material	Height (in.)	Depth (in.)	Rear Width (in.)	Front Width "Dim. A" (in.)	Side Back "Dim. B" (in.)	Door Opening Width (in.)	Door Front Opening Height (in.)	Weight (lb.)
1.	A-FS51-241635-S	.125 Smooth	24	16	35	17-3/8	2	11-1/2	19	52
2.	A-FS51-362442-S	.125 Smooth	36	24	42	16-7/8	4	17-1/2	31	89
3.	A-FS51-483248-S	.125 Smooth	48	32	48	24-3/8	8	21-1/2	43	131
4.	A-FS51-624474-S	.125 Smooth	62	44	74	38-1/2	8	35.0	57	251
5.	S-FS41-241635-*	14 Gauge Steel	24	16	35	17-3/8	2	11-1/2	19	102
6.	S-FS41-362442-*	14 Gauge Steel	36	24	42	16-7/8	4	17-1/2	31	178
7.	S-FS41-483248-*	14 Gauge Steel	48	32	48	24-3/8	8	21-1/2	43	268
8.	S-FS41-624474-*	14 Gauge Steel	62	44	74	38-1/2	8	35.0	57	530

Note: *Boxes are available in: Black (XB) and White (XW) Finish – add after part number.

GB - Generator Boxes - Aluminum Single Top Open Lid

Generator boxes are super heavy duty and offer easy access to your equipment. Boxes can be mounted on top or on the side of your truck or trailer. These boxes are designed to be used with a generator. Boxes are available in different sizes, and can be ordered custom size. All AMERICAN TRUCKBOXES boxes are designed and built to keep your equipment safe and secure.

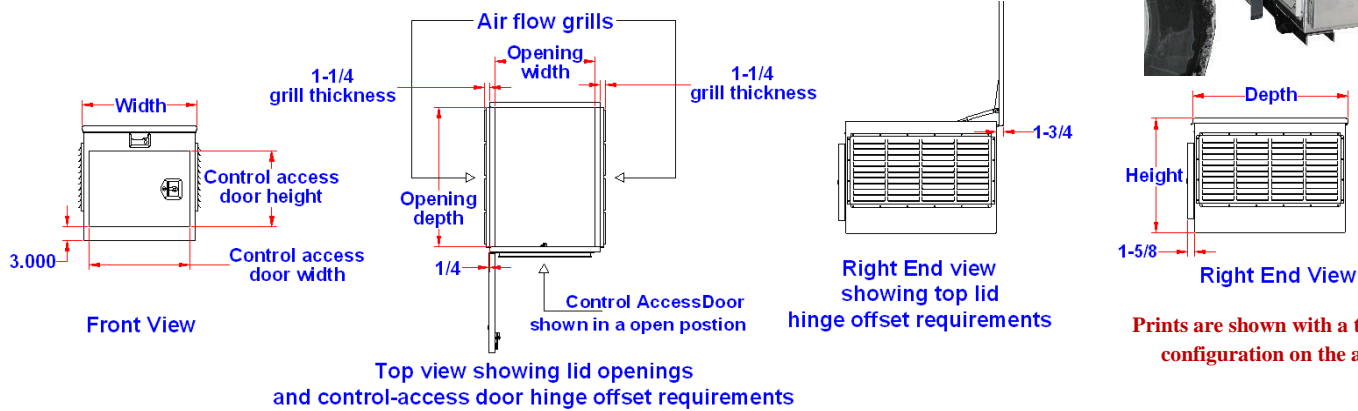
Description

- An engineered aluminum .125 smooth / .100 tread construction
- Fully seam welded on all seams and corners
- Stainless steel continuous hinge on full length of lid/door
- Gas Springs to “pop” and keep lid open.
- Channel braced reinforced lid
- Lockable stainless steel latch
- Adjustable lock striker for positive weather seal
- Durable stainless steel intake and exhaust grill – Left-Right-Back
- Front excess panel for convenient access – optional front grill available
- Automotive style latch with smooth rotary action
- Mounting kit not included - M3200D

Aluminum Grill Covers Comes Standard with Box



Front Door Optional Grill Available



Please Note: A minimum of “5” inch distance of space from air grill, is required on the full face of the air intake and exhaust grill for proper air movement.

No.	Model Number	Height (in.)	Depth (in.)	Width (in.)	Generator Model	Lid Opening Depth (in.)	Lid Opening Width (in.)	Access Door Height (in)	Access Door Width (in)	Weight (lb.)
1.	A-GB51-182416-T	18	24	16	Honda EU1000i	20-3/4	12-3/4	10	12	60
2.	A-GB51-201624-T	20	16	24	Yamaha EF1000i/EF2000i	12-3/4	20-3/4	12	20	65
3.	A-GB51-202226-T	20	22	26	Yamaha EF2400i/EF2800i/EF2600 Champion 2000wi	18-3/4	22-3/4	12	22	72
4.	A-GB51-202618-T	20	26	18	Honda EU2000i	22-3/4	14-3/4	12	14	68
5.	A-GB51-223020-T	22	30	20	Honda EU3000i	26-3/4	16-3/4	14	16	80
6.	A-GB51-242432-T	24	24	32	Champion 3100wi/3400wi Yamaha 3000is	20-3/4	28-3/4	16	28	95
7.	A-GB51-242436-T	24	24	36	4000 Watt	20-3/4	32-3/4	16	32	108
8.	A-GB51-243224-T	24	32	24	Honda EU3000iS-WH4500	28-3/4	20-3/4	16	20	98
9.	A-GB51-263430-T	26	34	30	EG4000-EG6500	30-3/4	26-3/4	18	26	122
10.	A-GB51-283636-T	28	36	36	6500 Watt	32-3/4	32-3/4	20	32	152
11.	A-GB51-303036-T	30	30	36	Yamaha EF4500i/EF6300i	26-3/4	32-3/4	22	32	158
12.	A-GB51-324034-T	32	40	34	Honda EU7000iS	36-3/4	30-3/4	24	30	164
13.	A-GB51-324834-T	32	48	34	Honda EB4000-EB5000 EM4000S-EM6500S EB6500	44-3/4	30-3/4	24	30	180
14.	A-GB51-343436-T	34	34	36	Yamaha EF5500D/EF7200D	30-3/4	32-3/4	26	32	186
15.	A-GB51-363640-T	36	36	40	Yamaha EF12000D	32-3/4	36-3/4	28	36	196
16.	A-GB51-406234-T	40	62	34	Honda EB10000	58-3/4	30-3/4	32	30	234

Note: Add I after 51 for optional front louvered grill. - Boxes are available in powder coated black and white, add “b” for black and “w” for white after part number.

GB - Generator Boxes - Aluminum Single Side Door

Generator boxes are super heavy duty and offer easy access to your equipment. Boxes can be mounted on top or on the side of your truck or trailer. These boxes are designed to be used with a generator. Boxes are available in different sizes, and can be ordered custom size. All AMERICAN TRUCKBOXES boxes are designed and built to keep your equipment safe and secure.

Description

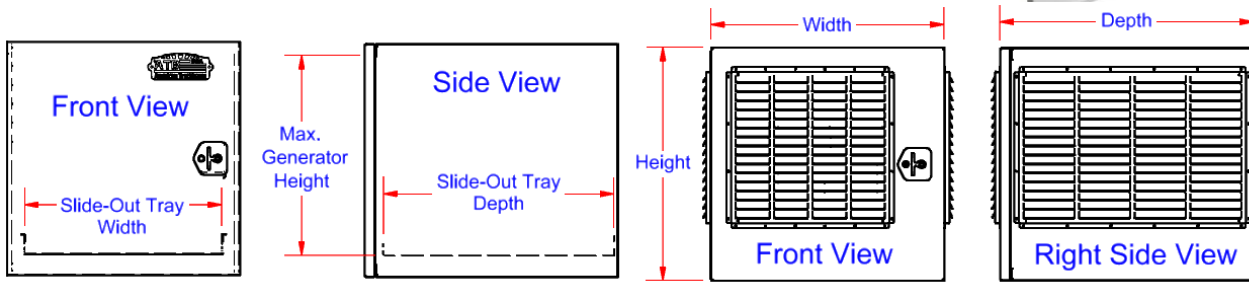
- An engineered aluminum .125 smooth finish
- Fully seam welded on all seams and corners
- Stainless steel continuous hinge on full length of door
- Heavy duty 500 lbs. drawer slides
- Drawer slide-out with lock-in/lock-out slides for easy service
- Lockable stainless-steel latch
- Adjustable lock striker for positive weather seal
- Durable stainless-steel intake and exhaust grill – Left-Right-Back
- Optional durable stainless steel front intake grill
- Front excess for convenient service
- Automotive style latch with smooth rotary action
- Box can be order without grills – GB53
- Mounting kit not included



Picture Shown with Front Grill which is optional.



Aluminum Grill Covers Comes Standard with Box



Prints are shown with a through flow air configuration on the air-flow grills

Please Note: A minimum of "5" inch distance of space from air grill, is required on the full face of the air intake and exhaust grill for proper air movement.

No.	Model Number	Height (in.)	Depth (in.)	Width (in.)	Generator Model	Door Opening Tray Height (in.)	Door Opening Width (in.)	Tray Depth (in)	Tray Width (in)	Weight (lb.)
1.	A-GB52-222424L-S	22	24	24	Honda EU1000i Yamaha EF1000i/EF2000i Champion 2000wi	18-1/2	20-1/2	22	15-1/2	76
2.	A-GB52-242826L-S	24	28	26	Champion 3500 Watt Yamaha EF2600	20-1/2	22-1/2	26	17-1/2	79
3.	A-GB52-242620L-S	24	26	20	Honda EU2000i	20-1/2	16-1/2	24	11-1/2	74
4.	A-GB52-242426L-S	24	24	26	Yamaha EF2400i/EP2800i	20-1/2	22-1/2	22	17-1/2	76
5.	A-GB52-242430L-S	24	24	30	Champion 3100wi/3500wi	20-1/2	26-1/2	22	21-1/2	78
6.	A-GB52-242436L-S	24	24	36	4000 Watt	20-1/2	32-1/2	22	27-1/2	92
7.	A-GB52-263028L-S	26	30	28	Honda EU3000i Yamaha EF3000i Champion 3400wi	22-1/2	24-1/2	28	19-1/2	94
8.	A-GB52-283228L-S	28	32	28	Honda EU3000iS	24-1/2	24-1/2	30	19-1/2	108
9.	A-GB52-323434L-S	32	34	34	Honda EG4000/EG6500 Yamaha EF4500i/EF6300i	28-1/2	30-1/2	32	25-1/2	138
10.	A-GB52-323640L-S	32	36	40	6500 Watt	28-1/2	36-1/2	34	31-1/2	168
11.	A-GB52-363240L-S	36	32	40	Yamaha EF5500d/EF7200d	32-1/2	36-1/2	30	31-1/2	168
12.	A-GB52-364038L-S	36	40	38	Honda EU7000iS	32-1/2	34-1/2	38	29-1/2	182
13.	A-GB52-364838L-S	36	48	38	Honda EB4000-EB5000 EM4000S-EM6500S EB6500	32-1/2	34-1/2	46	29-1/2	204
14.	A-GB52-383640L-S	38	36	40	Yamaha EF12000d	34-1/2	36-1/2	34	31-1/2	182
15.	A-GB52-446238L-S	44	62	38	Honda EB10000	40-1/2	34-1/2	60	29-1/2	254

Note: Add I after 52 for optional front louvered grill. - Boxes are available in powder coated black and white, add "b" for black and "w" for white after part number.

TS – Auxiliary Fuel Tanks - Steel or Aluminum

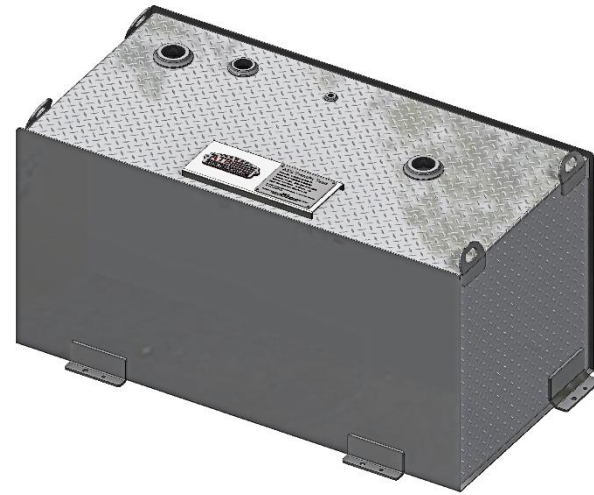
Tanks are heavy duty, and offer auxiliary supply for water, diesel, oil and/or biofuels. Tanks can be mounted on, truck, flatbed and trailer. **It is the user's responsibility to comply with local, state and federal requirements pertaining to safe transportation, loading and discharging of tank contents. These tanks are not intended to be used for gasoline or cannot be used to transfer gasoline to another vehicle. ATB Secure & Trusted Design.**

Description

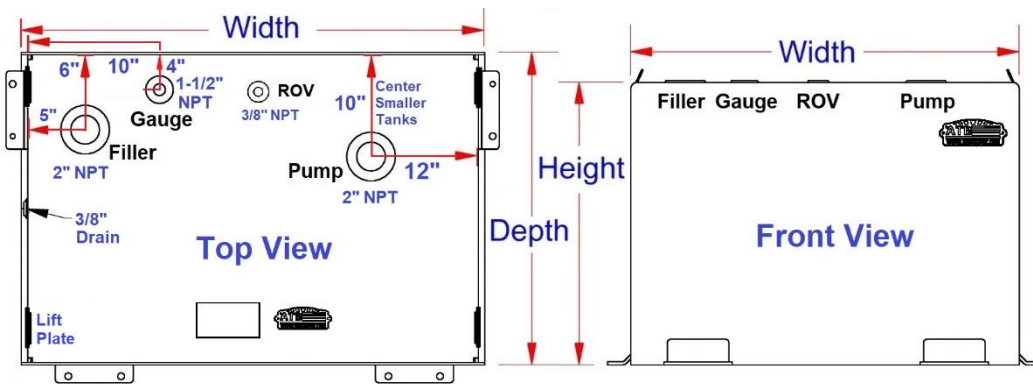
- An engineered high strength steel or aluminum construction
- Fully seam welded on all seams and corners
- Built-in baffle(s) to reduce sloshing in larger tanks
- 2" female pipe tread couplings - inside reinforced
- 1-1/2" top fitting for sensor and 3/8" ROV/bottom drain
- Pressure tested for leaks
- Double Coated - Zinc epoxy primer & MR powder baked topcoat
- Mounting bracket tabs to secure tank
- Tanks to be used with diesel fuel only – Use only vented filler cap
- Mounting kit included - M3700 Series



TFC21-AU-A



Aluminum Tank



Steel Tank

Tanks should be mounted to ATB mounting installation guidelines. Failure to properly mount the tank will void warranty.

Note: *Tanks are available in multiple colors: Black (B) and White (W) Finish.

No.	Model Number	Material	Height (in.)	Depth (in.)	Width (in.)	Mounting Kit	Capacity (Gal.)	Weight (lb.)
1.	A-TS5-181426N-T2	.125 Smooth/.125 Tread	18	14	26	M3702	25	38
2.	A-TS5-182036N-T2	.125 Smooth/.125 Tread	18	20	36	M3702	50	60
3.	A-TS5-181654S-T2	.125 Smooth/.125 Tread	18	16	54	M3702	60	78
4.	A-TS5-182154D-T2	.125 Smooth/.125 Tread	18	21	54	M3705	80	98
5.	A-TS5-242445D-T2	.125 Smooth/.125 Tread	24	24	45	M3705	102	106
6.	A-TS5-261254D-T2	.125 Smooth/.125 Tread	26	12	54	M3705	65	84
7.	A-TS6-202454D-T2	.190 Smooth/.190 Tread	20	24	54	M3705	102	166
8.	A-TS6-242445D-T2	.190 Smooth/.190 Tread	24	24	45	M3705	102	154
9.	S-TS4-181426N-*2	14 Gauge Steel	18	14	26	M3702	25	68
10.	S-TS4-182036N-*2	14 Gauge Steel	18	20	36	M3702	50	106
11.	S-TS4-181654S-*2	14 Gauge Steel	18	16	54	M3702	60	140
12.	S-TS4-182154D-*2	14 Gauge Steel	18	21	54	M3705	80	174
13.	S-TS4-242445D-*2	14 Gauge Steel	24	24	45	M3705	102	184
14.	S-TS5-261254D-*2	14 Gauge Steel	26	12	54	M3705	65	140
15.	S-TS5-202454D-*2	12 Gauge Steel	20	24	54	M3705	102	274
16.	S-TS5-242445D-*2	12 Gauge Steel	24	24	45	M3705	102	254

Note: Tanks are available in different configuration and custom sizes; call the factory for different sizes and options.

TL – Tank L-Shape - Steel or Aluminum

Tanks are heavy duty, and offer auxiliary supply for water, diesel, oil and/or biofuels. Tanks can be mounted on or in truck box, flatbed and trailer. **It is the user's responsibility to comply with local, state and federal requirements pertaining to safe transportation, loading and discharging of tank contents. These tanks are not intended to be used for gasoline or cannot be used to transfer gasoline to another vehicle. ATB Secure & Trusted Design.**

Description

- An engineered steel or aluminum construction
- Fully seam welded on all seams and corners
- Built-in baffles to reduce sloshing
- 2" female pipe tread couplings - inside reinforced
- 1-1/2 top fitting for sensor and 3/8" rollover valve/bottom drain
- Designed to work with 20" to 28" cross boxes or chest boxes
- Pressure tested for leaks
- Double Coated - Zinc epoxy primer & MR powder baked topcoat
- Mounting bracket tabs to secure tank
- Tanks to be used with diesel fuel only – Use only vented filler cap
- Mounting kit included - M3700 Series



TL41 & TL51 Tank

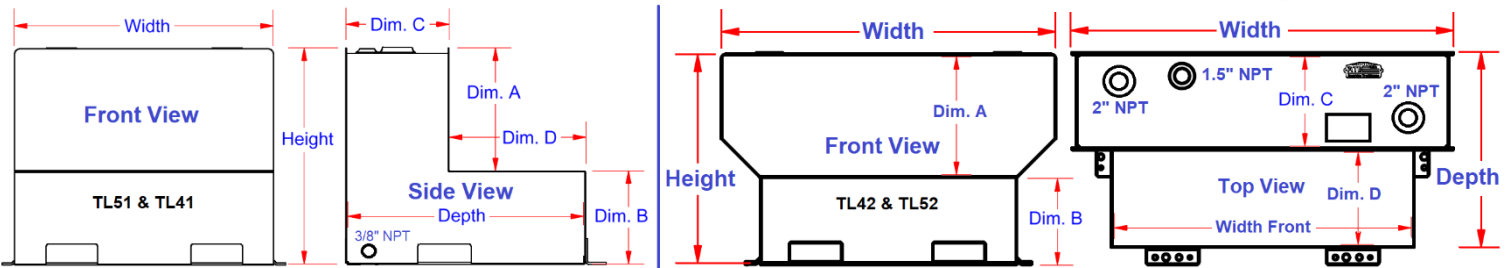


TFC21-AU-A



TL42 & TL52 Tank

Tanks should be mounted to ATB mounting installation guideline. Failure to properly



mount tank will void warranty.

Note: *Boxes are available in: Black (XB) and White (XW) Finish – add after part number.

No.	Model Number	Material	Height (in.)	Depth (in.)	Width (in.)	Height A (in.)	Height B (in.)	Depth C (in.)	Depth D (in.)	Pickup Box	Mounting Kit	Capacity (Gallons)	Weight (lb.)
1.	A-TL51-203148S-*2	.125 Alum	20	31	48	10	10	11	20	Any	M3705	78	92
2.	A-TL51-243148S-*2	.125 Alum	24	31	48	14	10	11	20	Any	M3705	86	97
3.	A-TL51-243154D-*2	.125 Alum	24	31	54	14	10	11	20	8'	M3705	98	108
4.	A-TL51-243554D-*2	.125 Alum	24	35	54	14	10	11	24	8'	M3705	110	115
5.	A-TL52-243158D-*2	.125 Alum	24	31	58-49	14	10	11	20	6'6-1/2/8'	M3705	94	108
6.	A-TL52-243558D-*2	.125 Alum	24	35	58-49	14	10	11	24	6-1/2/8'	M3705	102	112
7.	A-TL52-243958D-*2	.125 Alum	24	39	58-49	14	10	11	28	6-1/2/8'	M3705	110	120
8.	A-TL52-263758D-*2	.125 Alum	26	37	58-49	16	8	13	24	6-1/2/8'	M3705	102	117
9.	A-TL52-264158D-*2	.125 Alum	26	41	58-49	16	8	13	28	6-1/2/8'	M3705	110	125
10.	S-TL41-203148S-*2	14g Steel	20	31	48	10	10	11	20	Any	M3705	78	164
11.	S-TL41-243148S-*2	14g Steel	24	31	48	14	10	11	20	Any	M3705	86	174
12.	S-TL41-243154D-*2	14g Steel	24	31	54	14	10	11	20	8'	M3705	98	190
13.	S-TL41-243554D-*2	14g Steel	24	35	54	14	10	11	24	8'	M3705	110	202
14.	S-TL42-243158D-*2	14g Steel	24	31	58-49	14	10	11	20	6'6-1/2/8'	M3705	94	190
15.	S-TL42-243558D-*2	14g Steel	24	35	58-49	14	10	11	24	6-1/2/8'	M3705	102	200
16.	S-TL42-243958D-*2	14g Steel	24	39	58-49	14	10	11	28	6-1/2/8'	M3705	110	210
17.	S-TL42-263758D-*2	14g Steel	26	37	58-49	16	8	13	24	6-1/2/8'	M3705	102	206
18.	S-TL42-264158D-*2	14g Steel	26	41	58-49	16	8	13	28	6-1/2/8'	M3705	110	218

Note: Tanks are available in different configuration and custom sizes; call the factory for different sizes and options.

TT – Tank - Chest Combo Boxes - Steel or Aluminum

Tanks are heavy duty, and offer auxiliary supply for water, diesel, oil and/or biofuels. Tank chest can be mounted on or in truck box, flatbed and trailer. It is the user's responsibility to comply with local, state and federal requirements pertaining to safe transportation, loading and discharging of tank contents. These tanks are not intended to be used for gasoline or cannot be used to transfer gasoline to another vehicle. ATB Secure & Trusted Design.



TFC21-AU-A

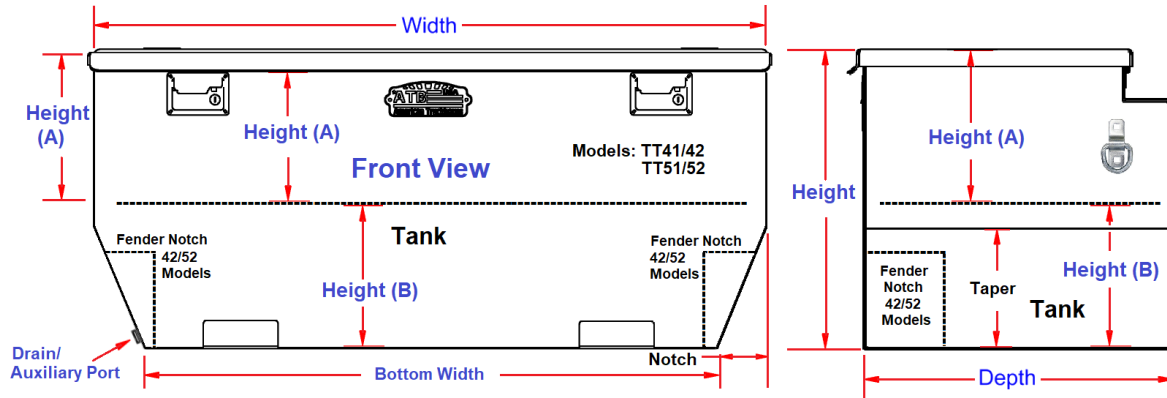


A-TT51 or S-TT41 Tank



A-TT52 or S-TT42 Tank

Description	
• An engineered steel or aluminum construction	
• Fully seam welded on all seams and corners	
• Built-in baffle(s) to reduce sloshing on larger tanks	
• 2” female pipe tread couplings – inside reinforced	
• 1-1/2 top fitting for sensor and 3/8” bottom drain	
• Pressure tested for leaks	
• Double Coated - Zinc epoxy primer & MR powder baked topcoat	
• Sides tapered and notch deeper models to fit most truck beds	
• Mounting bracket tabs to secure tank	
• Tanks to be used with diesel fuel only – Use only vented filler cap	
• Mounting kit included - M3700 series	



Note: *Boxes are available in: Black (XB) and White (XW) Finish – add after part number.

No.	Model Number	Material	Height (in.)	Depth (in.)	Width (in.)	Height A (in.)	Height B (in.)	Depth A (in.)	Baffles	Fender Notched	Pickup Box	Mounting Kit	Cap. (Gals)	Weight (lb.)
1.	A-TT51-191758-TT	.125 Alum	19	17	58	6	13	N/A	1	No	6.5'	M3702	45	120
2.	A-TT51-202058-TT	.125 Alum	20	20	58	6	14	N/A	1	No	6.5'	M3705	58	136
3.	A-TT51-202458-TT	.125 Alum	20	24	58	6	14	N/A	2	No	8'	M3705	68	148
4.	S-TT41-192058-*	14g Steel	19	20	58	6	13	N/A	1	No	6.5'	M3702	44	242
5.	S-TT41-192458-*	14g Steel	19	24	58	6	13	N/A	1	No	8'	M3702	48	262
6.	A-TT52-202458-TT	.125 Alum	20	24	58	6	14	N/A	2	Yes	6.5'	M3705	66	152
7.	A-TT52-203062-TT	.125 Alum	20	30	62	6	14	N/A	2	Yes	8'	M3705	104	210
8.	S-TT42-192058-*	14g Steel	19	20	58	6	13	N/A	1	Yes	6'	M3702	50	246
9.	S-TT42-192458-*	14g Steel	19	24	58	6	13	N/A	2	Yes	6.5'	M3705	62	266

Note: Tanks are available in different configuration and custom sizes; call the factory for different sizes and options.

Tanks should be mounted to ATB mounting installation guideline. Failure to properly mount tank will void warranty.

TT – L-Tank - Chest Combo Boxes - Steel or Aluminum

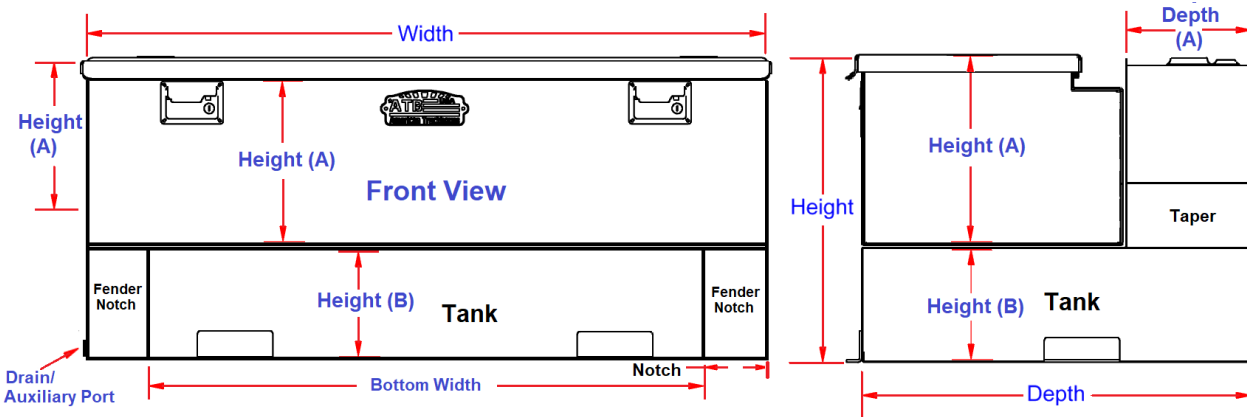
Tanks are heavy duty, and offer auxiliary supply for water, diesel, oil and/or biofuels. Tank chest tanks can be mounted on or in truck box, flatbed and trailer. **It is the user's responsibility to comply with local, state and federal requirements pertaining to safe transportation, loading and discharging of tank contents.** These tanks are not intended to be used for gasoline or cannot be used to transfer gasoline to another vehicle. ATB Secure & Trusted Design.



TFC21-AU-A



Description
• An engineered steel or aluminum construction
• Fully seam welded on all seams and corners
• Built-in baffle(s) to reduce sloshing on larger tanks
• 2” female pipe tread couplings – inside reinforced
• 1-1/2 top fitting for sensor and 3/8” bottom drain
• Pressure tested for leaks
• Double Coated - Zinc epoxy primer & MR powder baked topcoat
• Sides tapered and notch deeper models to fit most truck beds
• Mounting bracket tabs to secure tank
• Tanks to be used with diesel fuel only – Use only vented filler cap
• Mounting kit included - M3700 series



Note: *Boxes are available in: Black (XB) and White (XW) Finish – add after part number.

No.	Model Number	Material	Height (in.)	Depth (in.)	Width (in.)	Height A (in.)	Height B (in.)	Depth A (in.)	Baffles	Fender Notched	Pickup Box	Mounting Kit	Cap. (Gals)	Weight (lb.)
1.	A-TT55-163148-TT	.125 Alum	16	31	48	8	8	11	2	No	8'	M3705	64	148
2.	A-TT55-243148-TT	.125 Alum	24	31	48	12	12	11	2	No	8'	M3705	95	190
3.	A-TT56-203158-TT	.125 Alum	20	31	58-48	10	10	12	2	Yes	6.5'	M3705	94	189
4.	A-TT56-243158-TT	.125 Alum	24	31	58-48	12	12	12	2	Yes	6.5'	M3705	112	212
5.	S-TT45-163148-*	14g Steel	16	31	48	8	8	11	2	No	8'	M3705	64	274
6.	S-TT45-243148-*	14g Steel	24	31	48	12	12	11	2	No	8'	M3705	96	346

Note: Tanks are available in different configuration and custom sizes; call the factory for different sizes and options.

Tanks should be mounted to ATB mounting installation guideline. Failure to properly mount tank will void warranty.

LG – Low Gullwing Cross Boxes – (EZ-Grab (Low Profile)) – Aluminum - Double Lids

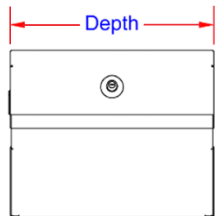
Low gullwing EZ-Grab cross boxes are heavy duty, high capacity, low profile and offer easy access from either side of the truck with two independent lids. Boxes can be used separately or in combination with EZ-Grab side boxes. Cross boxes come in different sizes and with slanted sides and lids to match your trucks style. All AMERICAN TRUCKBOXES boxes are designed and built to keep your tools safe and secure.

Description

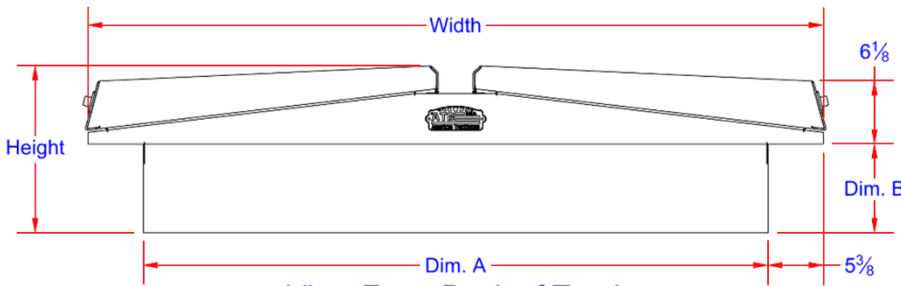
- An engineered aluminum construction.
- Stainless steel continuous hinge on full length of lid.
- Fully seam welded on all seams and corners
- Channel brace, reinforcement on lid.
- Gas springs to “pop” and keep lid open.
- Push-in lockable stainless-steel latches with adjustable lock striker
- Adjustable lock striker for positive weather seal.
- Reinforced bottom plate.
- Professional sliding large tray with adjustable dividers
- Removable dividers on outer compartment.
- Fully concealed rain gutter, with automotive type weather seal.
- **Optional drawers, heavy duty slides and adjustable dividers**
- Mounting kit included – M3500R or M3500RR Drawer Box



Pro-Sliding Tray



View From Side of Truck



View From Back of Truck



Powder Coated Black

With Option Drawer(s)



No.	Model Number	Material	Height (in.)	Depth (in.)	Width (in.)	Dim. A (in.)	Dim. B (in.)	Drawers	Weight (lb.)
1.	A-LG4-162062-T*	.090 smooth/.100 TP	16	20	62	51.00	8-3/4	No	78
2.	A-LG4-162072-T*	.090 smooth/.100 TP	16	20	72	61.00	8-3/4	No	86
3.	A-LG4-162472-T*	.090 smooth/.100 TP	16	24	72	61.00	8-3/4	No	94
4.	A-LG4-162872-T*	.090 smooth/.100 TP	16	28	72	61.00	8-3/4	No	102
5.	A-LG4-162072-T1*	.090 smooth/.100 TP	16-1/2	20	72	61.00	9-1/4	Yes/1	108
6.	A-LG4-202072-T2*	.090 smooth/.100 TP	20-1/4	20	72	61.00	12-3/4	Yes/2	138
7.	A-LG4-202472-T2*	.090 smooth/.100 TP	20-1/4	24	72	61.00	12-3/4	Yes/2	154
8.	A-LG4-202872-T2*	.090 smooth/.100 TP	20-1/4	28	72	61.00	15-3/4	Yes/2	174

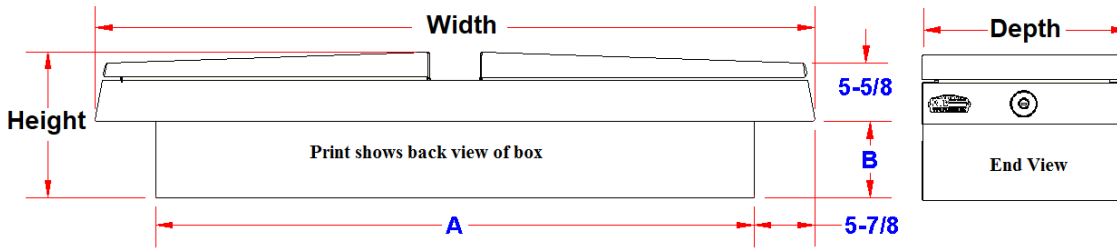
Note: *Boxes are available in: Black (BX) and White (WX) Finish – add after part number.

HG – High Gullwing Cross Boxes - (High Profile) Aluminum & Steel - Double Lids

High gullwing cross boxes are heavy duty, high capacity, high profile and offer easy access from side of your truck. Boxes are mounted behind cab. These boxes are perfect for storing your equipment, tools and personal gear. Cross boxes are available in different sizes, and can be ordered custom size. All AMERICAN TRUCKBOXES boxes are designed and built to keep your equipment safe and secure.

Description

- An engineered aluminum or steel construction
- Fully seam welded on all seams and corners
- Stainless steel continuous hinge full length of door
- Channel braced reinforced lid & reinforced bottom plate
- Zinc epoxy primer with MR powder baked topcoat finish
- Gas springs to “pop” and keep lid open
- Push-in lockable stainless-steel latches with adjustable lock striker
- Professional sliding large tray with adjustable dividers
- Fully concealed rain gutter, with automotive type weather seal.
- Automotive style latch with smooth rotary action
- Mounting kit included – M3500R



No.	Model Number	Material	Height (in.)	Depth (in.)	Width (in.)	Dim. A (in.)	Dim. B (in.)	Weight (lb.)
1.	A-HG3-162062-TT*	.063/.100 TP	16	20	62	50-1/8	9-1/2	68
2.	A-HG3-162072-TT*	.063/.100 TP	16	20	72	60-1/8	9-1/2	74
3.	A-HG4-162072-TT*	.100 TP	16	20	72	60-1/4	9-1/2	84
4.	A-HG4-162472-TT*	.100 TP	16	24	72	60-1/4	9-1/2	92
5.	A-HG4-162872-TT*	.100 TP	16	28	72	60-1/4	9-1/2	100
6.	A-HG4-182472-TT*	.100 TP	18	24	72	60-1/4	11-1/2	104
7.	S-HG3-162062-*	16 Gauge Steel	16	20	62	50	9-1/2	134
8.	S-HG3-162072-*	16 Gauge Steel	16	20	72	60	9-1/2	148
9.	S-HG3-162472-*	16 Gauge Steel	16	24	72	60	9-1/2	165

Note: *Boxes are available in: Black (XB) and White (XW) Finish – add after part number.

XC – High Cross Saddle Boxes - (High Profile) Aluminum & Steel – Single Lid

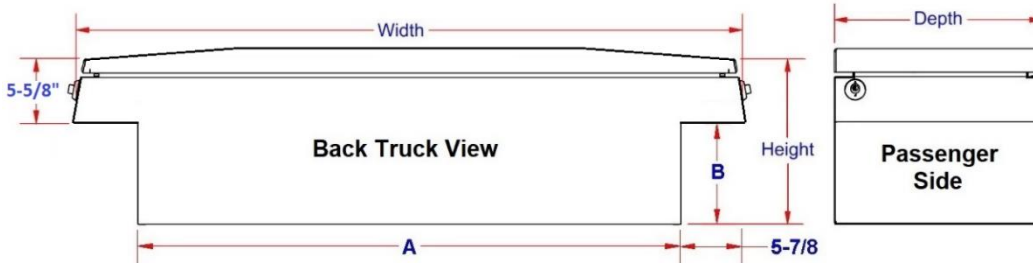
High cross saddle boxes are heavy duty, high capacity, high profile and offer easy access from side of your truck. Boxes are mounted behind cab. These boxes are perfect for storing your equipment, tools and personal gear. Cross boxes are available in different sizes, and can be ordered custom size. All AMERICAN TRUCKBOXES boxes are designed and built to keep your equipment safe and secure.

Description

- An engineered aluminum or steel construction
- Fully seam welded on all seams and corners
- Stainless steel continuous hinge full length of door
- Channel braced reinforced lid & reinforced bottom plate
- Zinc epoxy primer with MR powder baked topcoat finish
- Gas springs to “pop” and keep lid open
- Lockable push button lock & adjustable lock striker
- Professional sliding large tray with adjustable dividers
- Fully concealed rain gutter, with automotive type weather seal.
- Automotive style latch with smooth rotary action
- Mounting kit included – M3500R



Powder Coated
BX-Black



Pro-Sliding Tray

No.	Model Number	Material	Height (in.)	Depth (in.)	Width (in.)	Dim. A (in.)	Dim. B (in.)	Weight (lb.)
1.	A-XC3-162062-TT*	.063/.100 TP	16	20	62	50-1/8	10-1/4	70
2.	A-XC3-162072-TT*	.063/.100 TP	16	20	72	60-1/8	10-1/4	82
3.	A-XC4-162072-TT*	.100 TP	16	20	72	60-1/4	10-1/4	92
4.	A-XC4-162472-TT*	.100 TP	16	24	72	60-1/4	10-1/4	102
5.	A-XC4-162872-TT*	.100 TP	16	28	72	60-1/4	10-1/4	112
6.	A-XC4-182472-TT*	.100 TP	18	24	72	60-1/4	12-1/4	108
7.	S-XC3-162062-*	16 Gauge Steel	16	20	62	50-1/8	10-1/4	128
8.	S-XC3-162072-*	16 Gauge Steel	16	20	72	60-1/8	10-1/4	148
9.	S-XC3-162472-*	16 Gauge Steel	16	24	72	60-1/8	10-1/4	164
10.	S-XC3-162872-*	16 Gauge Steel	16	28	72	60-1/8	10-1/4	180

Note: *Boxes are available in: Black (BX) and White (WX) Finish – add after part number.

HC – High Cross Saddle Boxes - (High Profile) Aluminum & Steel – Single Lid

High cross saddle boxes are heavy duty, high capacity, high profile and offer easy access from side of your truck. Boxes are mounted behind cab. These boxes are perfect for storing your equipment, tools and personal gear. Cross boxes are available in different sizes, and can be ordered custom size. All AMERICAN TRUCKBOXES boxes are designed and built to keep your equipment safe and secure.

Description

- An engineered aluminum or steel construction
- Fully seam welded on all seams and corners
- Stainless steel continuous hinge full length of door
- Channel braced reinforced lid & reinforced bottom plate
- Zinc epoxy primer with MR powder baked topcoat finish
- Gas springs to “pop” and keep lid open
- Lockable push button lock & adjustable lock striker
- Professional sliding large tray with adjustable dividers
- Fully concealed rain gutter, with automotive type weather seal.
- Automotive style latch with smooth rotary action
- Mounting kit included – M3500R



Diamond TP



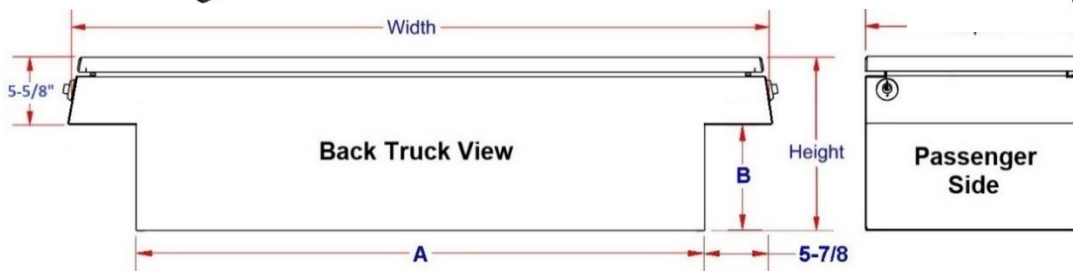
Pro-Sliding Tray



Powder Coated WX-White



Powder Coated BX-Black



No.	Model Number	Material	Height (in.)	Depth (in.)	Width (in.)	Dim. A (in.)	Dim. B (in.)	Weight (lb.)
1.	A-HC3-162062-TT*	.063/.100 TP	16	20	62	50-1/8	10-1/4	70
2.	A-HC3-162072-TT*	.063/.100 TP	16	20	72	60-1/8	10-1/4	82
3.	A-HC4-162072-TT*	.100 TP	16	20	72	60-1/4	10-1/4	92
4.	A-HC4-162472-TT*	.100 TP	16	24	72	60-1/4	10-1/4	102
5.	A-HC4-162872-TT*	.100 TP	16	28	72	60-1/4	10-1/4	112
6.	A-HC4-182472-TT*	.100 TP	18	24	72	60-1/4	12-1/4	108
7.	S-HC3-162062-*	16 Gauge Steel	16	20	62	50-1/8	10-1/4	128
8.	S-HC3-162072-*	16 Gauge Steel	16	20	72	60-1/8	10-1/4	148
9.	S-HC3-162472-*	16 Gauge Steel	16	24	72	60-1/8	10-1/4	164

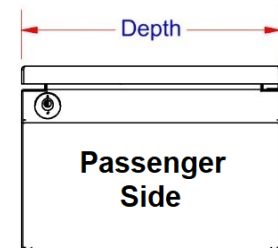
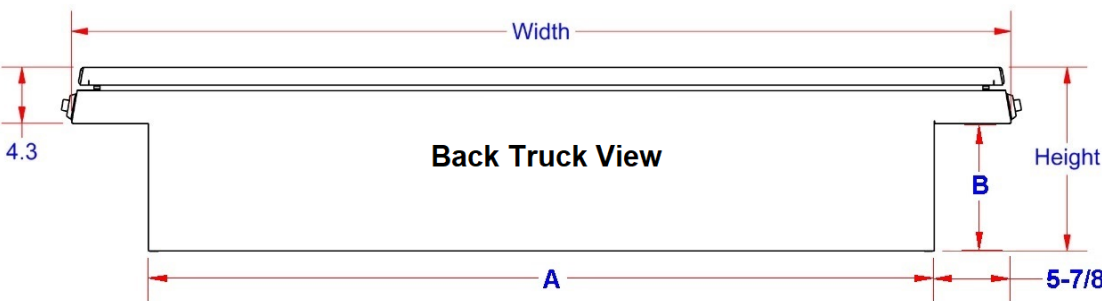
Note: *Boxes are available in: Black (BX) and White (WX) Finish – add after part number.

MC – Medium Cross Saddle Boxes - (Medium Profile) - Aluminum & Steel – Single Lid

Medium cross saddle boxes are heavy duty, medium capacity, medium profile for great looks and offer easy access from side of your truck. Boxes are mounted behind cab. These boxes are perfect for storing your equipment, tools and personal gear. Cross boxes are available in different sizes and can be ordered custom size. All AMERICAN TRUCKBOXES boxes are designed and built to keep your equipment safe and secure.

Description

- An engineered aluminum or steel construction
- Fully seam welded on all seams and corners
- Stainless steel continuous hinge full length of door
- Channel braced reinforced lid & reinforced bottom plate
- Gas springs to “pop” and keep lid open
- Zinc epoxy primer with MR powder baked topcoat finish
- Lockable push button lock & adjustable lock striker
- Automotive style latch with smooth rotary action
- Professional sliding large tray with adjustable dividers
- Fully concealed rain gutter, with automotive type weather seal.
- Mounting kit included – M3500R



Pro-Sliding Tray

No.	Model Number	Material	Height (in.)	Depth (in.)	Width (in.)	Dim. A (in.)	Dim. B (in.)	Weight (lb.)
1.	A-MC3-162062-TT*	.063/.100 TP	16	20	62	51.00	11-3/4	74
2.	A-MC3-162072-TT*	.063/.100 TP	16	20	72	61.00	11-3/4	82
3.	A-MC4-162072-TT*	.100 TP	16	20	72	61.00	11-3/4	92
4.	A-MC4-162472-TT*	.100 TP	16	24	72	61.00	11-3/4	102
5.	S-MC3-162072-*	16 Gauge Steel	16	20	72	61.00	11-3/4	154
6.	S-MC3-162472-*	16 Gauge Steel	16	24	72	61.00	11-3/4	170

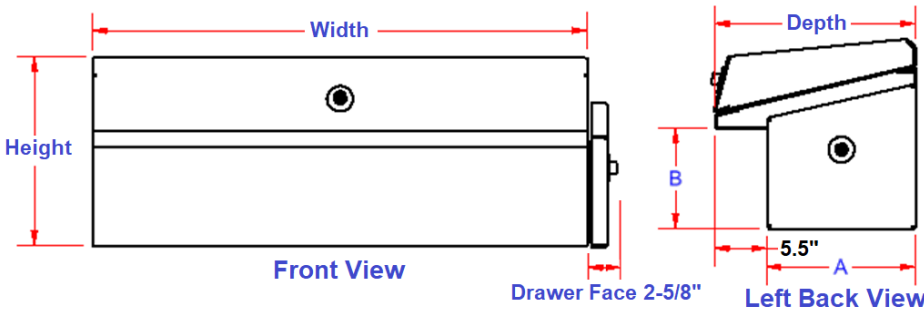
Note: *Boxes are available in: Black (XB) and White (XW) Finish – add after part number.

LS – Low Side Boxes – (EZ-Grab (Low Profile)) – Aluminum - Single Lid

Low Side (EZ-grab) side boxes are heavy duty, high capacity, high profile and offer easy access from either side of the truck. Boxes can be used separately or in combination with LG EZ-Grab cross boxes. Side boxes come in different sizes and with slanted side and lid to match your trucks style. All AMERICAN TRUCKBOXES boxes are designed and built to keep your tools safe and secure.



- | Description | |
|-------------|---|
| • | An engineered aluminum construction. |
| • | Stainless steel continuous hinge on full length of lid. |
| • | Fully seam welded on all seams and corners |
| • | Channel brace, reinforcement on lid. |
| • | Gas springs to “pop” and keep lid open. |
| • | Lockable push button lock & adjustable lock striker |
| • | Adjustable lock striker for positive weather seal. |
| • | Professional sliding large tray with adjustable dividers |
| • | Removable dividers on outer compartment. |
| • | Fully concealed rain gutter, with automotive type weather seal. |
| • | Option drawers, heavy duty slides and adjustable dividers. |
| • | Mounting kit included – M3530R |



No.	Model Number	Material	Height (in.)	Depth (in.)	Width (in.)	Dim. A (in.)	Dim. B (in.)	Weight (lb.)	Weight Drawer (lb.)
1.	A-LS4-161336-T*	.090 Smooth/.100 TP	16	13	36	7-5/8	8-7/16	48	N/A
2.	A-LS4-161340-T*	.090 Smooth/.100 TP	16	13	40	7-5/8	8-7/16	52	N/A
3.	A-LS4-161348-T*	.090 Smooth/.100 TP	16	13	48	7-5/8	8-7/16	58	N/A
4.	A-LS4-161354-T*	.090 Smooth/.100 TP	16	13	54	7-5/8	8-7/16	65	N/A
5.	A-LS4-161360-T*	.090 Smooth/.100 TP	16	13	60	7-5/8	8-7/16	68	N/A
6.	A-LS4-161370-T*	.090 Smooth/.100 TP	16	13	70	7-5/8	8-7/16	76	N/A
7.	A-LS4-161387-T*	.090 Smooth/.100 TP	16	13	87	7-5/8	8-7/16	89	N/A
8.	A-LS4-161736-T*	.090 Smooth/.100 TP	16	17	36	11-1/8	8-7/16	59	N/A
9.	A-LS4-161740-T*	.090 Smooth/.100 TP	16	17	40	11-1/8	8-7/16	62	N/A
10.	A-LS4-161744-T*	.090 Smooth/.100 TP	16	17	44	11-1/8	8-7/16	66	N/A
11.	A-LS4-161748-T*	.090 Smooth/.100 TP	16	17	48	11-1/8	8-7/16	69	N/A
12.	A-LS4-161754-T*	.090 Smooth/.100 TP	16	17	54	11-1/8	8-7/16	75	N/A
Boxes without Drawers and with Drawers									
13.	A-LS4*-161752-T*	.090 Smooth/.100 TP	16	17	52	11-1/8	8-7/16	72	32”D - 88
14.	A-LS4*-161756-T*	.090 Smooth/.100 TP	16	17	56	11-1/8	8-7/16	77	36”D - 93
15.	A-LS4*-161760-T*	.090 Smooth/.100 TP	16	17	60	11-1/8	8-7/16	80	36”D - 98
16.	A-LS4*-161765-T*	.090 Smooth/.100 TP	16	17	65	11-1/8	8-7/16	84	36”D - 106
17.	A-LS4*-161770-T*	.090 Smooth/.100 TP	16	17	70	11-1/8	8-7/16	88	42”D - 120
18.	A-LS4*-161787-T*	.090 Smooth/.100 TP	16	17	87	11-1/8	8-7/16	98	48”D - 156

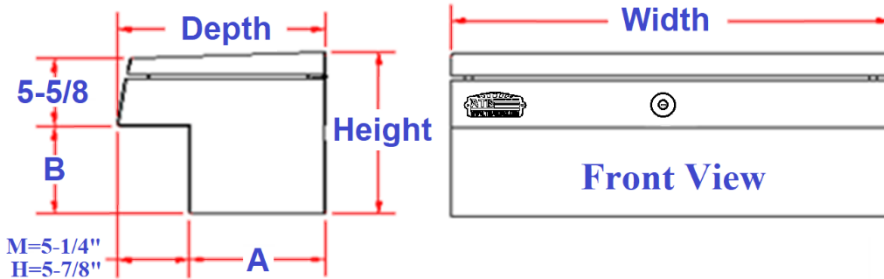
Note: *Add slide length to part number. Boxes are available in: Black (XB) and White (XW) Finish – add after part number.

HS – High Side Boxes - (High Profile) Aluminum High & Medium Capacity - Single Lid

High side boxes are heavy duty, high & low capacity, high profile and offer easy access from either side of the truck. Boxes can be used separately or in combination with HG & HC cross boxes. Side boxes come in different sizes and with slanted side and lid to match your trucks style. All AMERICAN TRUCKBOXES boxes are designed and built to keep your tools safe and secure.

Description

- An engineered aluminum construction.
- Stainless steel continuous hinge on full length of lid.
- Fully seam welded on all seams and corners
- Channel brace, reinforcement on lid.
- Gas springs to “pop” and keep lid open.
- Lockable push button lock & adjustable lock striker
- Professional sliding large tray with adjustable dividers
- Removable dividers on outer compartment.
- Fully concealed rain gutter, with automotive type weather seal.
- Steel sliding tray with removable dividers
- Mounting kit included – M3530R



No.	Model Number	Material	Height (in.)	Depth (in.)	Width (in.)	Dim. A (in.)	Dim. B (in.)	Weight (lb.)
1.	A-HS3-141340-TT*	.063/.100 TP	14	13	36	7-3/4	7-3/8	38
2.	A-HS3-141348-TT*	.063/.100 TP	14	13	48	7-3/4	7-3/8	44
3.	A-HS3-141354-TT*	.063/.100 TP	14	13	54	7-3/4	7-3/8	48
4.	A-HS3-141360-TT*	.063/.100 TP	14	13	60	7-3/4	7-3/8	52
5.	A-HS3-141370-TT*	.063/.100 TP	14	13	70	7-3/4	7-3/8	70
6.	A-HS3-141387-TT*	.063/.100 TP	14	13	87	7-3/4	7-3/8	80
7.	A-HS3-141740-TT*	.063/.100 TP	14	17	36	11-1/8	7-3/8	45
8.	A-HS3-141748-TT*	.063/.100 TP	14	17	48	11-1/8	7-3/8	52
9.	A-HS3-141754-TT*	.063/.100 TP	14	17	54	11-1/8	7-3/8	55
10.	A-HS3-141760-TT*	.063/.100 TP	14	17	60	11-1/8	7-3/8	60
11.	A-HS4-141736-TT*	.100 TP	14	17	36	11-1/8	7-3/8	54
12.	A-HS4-141748-TT*	.100 TP	14	17	48	11-1/8	7-3/8	62
13.	A-HS4-141754-TT*	.100 TP	14	17	54	11-1/8	7-3/8	67
14.	A-HS4-141760-TT*	.100 TP	14	17	60	11-1/8	7-3/8	74
15.	A-HS4-141770-TT*	.100 TP	14	17	70	11-1/8	7-3/8	94
16.	A-HS4-141787-TT*	.100 TP	14	17	87	11-1/8	7-3/8	108

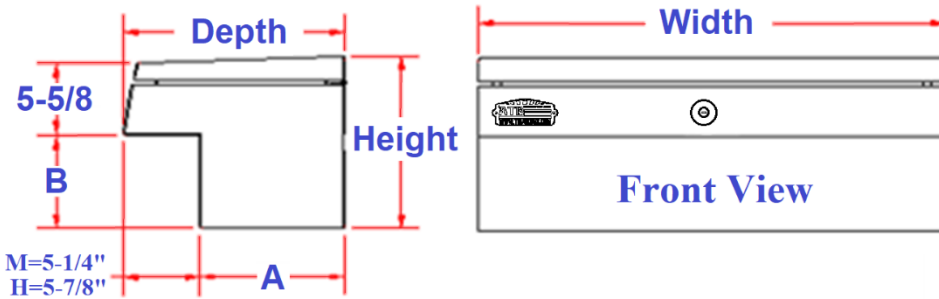
Note: *Boxes are available in: Black (XB) and White (XW) Finish – add after part number.

HS – High Side Boxes - (High Profile) Steel High & Medium Capacity - Single Lid

High side boxes are heavy duty, high & low capacity, high profile and offer easy access from either side of the truck. Boxes can be used separately or in combination with HG & HC Cross Boxes. Side boxes come in different sizes and with slanted side and lid to match your trucks style. All AMERICAN TRUCKBOXES boxes are designed and built to keep your tools safe and secure.

Description

- An engineered steel construction.
- Stainless steel continuous hinge on full length of lid.
- Fully seam welded on all seams and corners
- Channel brace, reinforcement on lid.
- Zinc epoxy primer with MR powder baked topcoat finish
- Gas springs to “pop” and keep lid open.
- Lockable push button lock & adjustable lock striker
- Adjustable lock striker for positive weather seal.
- Professional sliding large tray with adjustable dividers
- Removable dividers on outer compartment.
- Fully concealed rain gutter, with automotive type weather seal.
- Steel sliding tray with removable dividers
- Mounting kit included – M3530R



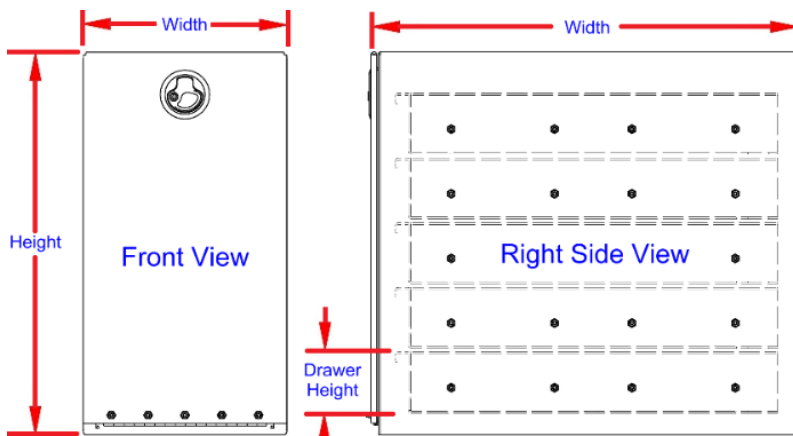
No.	Model Number	Material	Height (in.)	Depth (in.)	Width (in.)	Dim. A (in.)	Dim. B (in.)	Weight (lb.)
1.	S-HS3-141340-*	16-gauge steel	14	13	40	7-3/4	7-1/2	65
2.	S-HS3-141348-*	16-gauge steel	14	13	48	7-3/4	7-1/2	75
3.	S-HS3-141354-*	16-gauge steel	14	13	54	7-3/4	7-1/2	82
4.	S-HS3-141360-*	16-gauge steel	14	13	60	7-3/4	7-1/2	90
5.	S-HS3-141370-*	16-gauge steel	14	13	70	7-3/4	7-1/2	113
6.	S-HS3-141387-*	16-gauge steel	14	13	87	7-3/4	7-1/2	130
7.	S-HS3-141740-*	16-gauge steel	14	17	40	11-1/8	7-1/2	81
8.	S-HS3-141748-*	16-gauge steel	14	17	48	11-1/8	7-1/2	93
9.	S-HS3-141754-*	16-gauge steel	14	17	54	11-1/8	7-1/2	101
10.	S-HS3-141760-*	16-gauge steel	14	17	60	11-1/8	7-1/2	110
11.	S-HS3-141770-*	16-gauge steel	14	17	70	11-1/8	7-1/2	135
12.	S-HS3-141787-*	16-gauge steel	14	17	87	11-1/8	7-1/2	160

Note: *Boxes are available in: Black (XB) and White (XW) Finish – add after part number.

FE - Fender End Gate Boxes- Steel or Aluminum

Fender boxes are ultimate storage solution for your pickup truck under the tarp applications. Boxes can be mounted in truck bed behind fender. These boxes are perfect for storing your equipment, tool. Fender boxes come in different sizes and can be ordered custom sizes. All AMERICAN TRUCKBOXES boxes are designed and built to keep your tools safe and secure.

Description
• An engineered steel or aluminum construction
• Zinc epoxy primer with MR powder baked topcoat finish
• Lockable pull handle slam latch
• Automotive weather seal
• Stainless steel hinge
• Hemmed adjustable dividers
• Heavy-duty slides
• Mounting kit included - M3200D



Note: *Boxes are available in: Black (XB) and White (XW) Finish – add after part number.

No.	Model Number	Material	Height (in.)	Depth (in.)	Width (in.)	Drawers	Drawers Size	Fits Box	Weight (lb.)
1.	A-FE41-16188-S4	.090 Smooth	16	18	8	4	4=3"	6'- 6.5'	38
2.	A-FE41-19188-S4	.090 Smooth	19	18	8	4	1-2=3" x 3-4=4.5"	6'- 6.5'	40
3.	A-FE41-19188-S5	.090 Smooth	19	18	8	5	1-2=2" x 3-5=3.5"	6'- 6.5'	45
4.	A-FE41-19218-S4	.090 Smooth	19	21	8	4	4=4"	6' & 8'	48
5.	A-FE41-19218-S5	.090 Smooth	19	21	8	5	1-2=2" x 3-5=3.5"	6' & 8'	50
6.	A-FE41-19248-S5	.090 Smooth	19	24	8	5	1-2=2" x 3-5=3.5"	8'	58
7.	S-FE31-19188-*4	16 Gauge Steel	19	18	8	4	4=4"	6'	44
8.	S-FE31-19188-*5	16 Gauge Steel	19	18	8	5	1-2=2" x 3-5=3.5"	6'	50
9.	S-FE31-19218-*5	16 Gauge Steel	19	21	8	5	1-2=2" x 3-5=3.5"	8'	55

Note: Measure your truck to make sure box will fit mounting area. Boxes are available in different configuration and custom sizes.

FC- Fender Chest Boxes - Steel or Aluminum

Fender boxes are ultimate storage solution for your pickup truck under the tarp applications; heavy duty and offer easy access to your equipment and tools. Boxes can be mounted in truck bed and over the fender. These boxes are perfect for storing your equipment, tools and personal gear. Fender boxes are available in different sizes and can be ordered custom size. All AMERICAN TRUCKBOXES boxes are designed and built to keep your equipment safe and secure.

Description

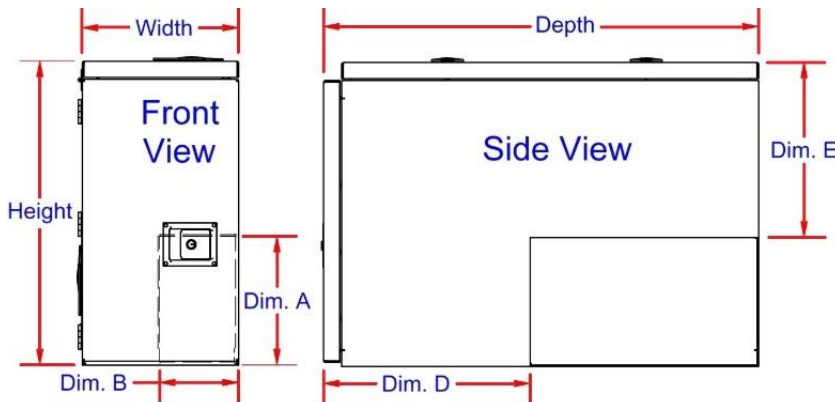
- An engineered aluminum construction
- Powder coated baked-on finish on steel boxes
- Stainless Steel hinge on full length of door/lid
- Lockable SS Dolphin Tail HD adjustable T-handle latch
- Hemmed adjustable dividers
- Automotive weather seal.
- Heavy duty slides
- Mounting kit included - M3200D



FC41 Box



FC42 Box No Drawers



FC44 Box

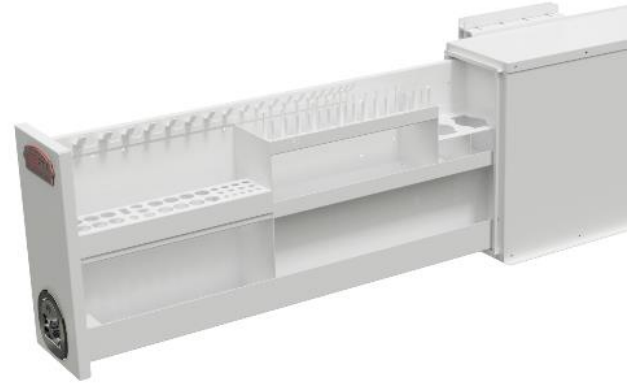
Note: Boxes are available in: Black (XB) and White (XW) Finish – add after part number.
***Add L-Left (driver) or R-Right (passenger) Drawer Configuration.**

No.	Model Number	Material	Height (in.)	Depth (in.)	Width (in.)	Height E (in.)	Depth D (in.)	Drawers	Drawers Size	Fits Box	Weight (lb.)
1.	A-FC41-19469*-S	.090 Smooth	19	46	9	9-1/2	19	N/A	N/A	6'	30
2.	A-FC41-194611*-S	.090 Smooth	19	46	11	9-1/2	19	N/A	N/A	6'	33
3.	A-FC42-19469*-S	.090 Smooth	19	46	9	9-1/2	19	N/A	Compartment	6.5' - 8'	32
4.	A-FC42-194611*-S	.090 Smooth	19	46	11	9-1/2	19	N/A	Compartment	6.5' - 8'	35
5.	A-FC42-19609*-S	.090 Smooth	19	60	9	9-1/2	19	N/A	Compartment	6.5' - 8'	38
6.	A-FC42-196011*-S	.090 Smooth	19	60	11	9-1/2	19	N/A	Compartment	6.5' - 8'	42
7.	A-FC44-19469*-S2	.090 Smooth	19	46	9	9-1/2	19	2	1-2=4"	6.5' - 8'	46
8.	A-FC44-194611*-S2	.090 Smooth	19	46	11	9-1/2	19	2	1-2=4"	6.5' - 8'	52
9.	A-FC44-19609*-S2	.090 Smooth	19	60	9	9-1/2	19	2	1-2=4"	6.5' - 8'	54
10.	A-FC44-196011*-S2	.090 Smooth	19	60	11	9-1/2	19	2	1-2=4"	6.5' - 8'	60

Note: Measure your truck to make sure box will fits mounting area. Boxes are available in different configuration and custom sizes.

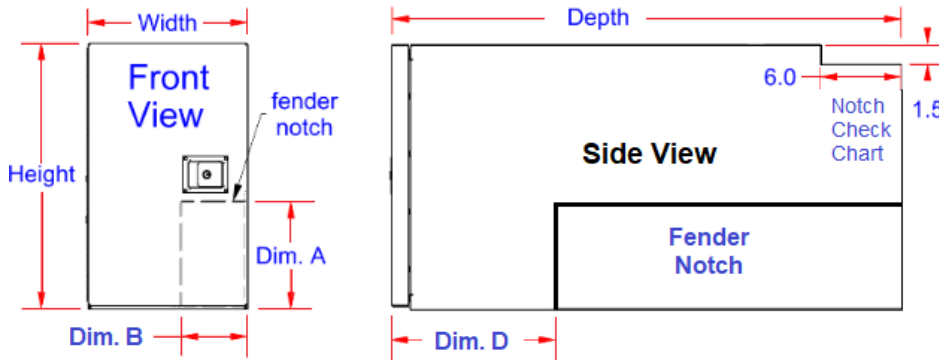
DF-O – Drawer Fender Boxes - Steel or Aluminum

Drawer fender boxes are ultimate storage solution for your pickup truck under the tarp applications; heavy duty, high capacity and offer easy access to your equipment and tools. Boxes can be mounted in truck bed over the fenders. These boxes are perfect for storing your equipment, tools and personal gear. Drawer fender boxes are available in custom size. All AMERICAN TRUCKBOXES boxes are designed and built to keep your equipment safe and secure.



Description

- An engineered aluminum & steel construction
- Optional - Powder coat finish steel boxes
- Stainless Steel hinge on full length of door/lid
- Lockable stainless-steel pull and/or DT-T-handle latch
- Automotive weather seal
- Fit under truck tonneau or box cover
- Pro-Tool organized on pull out drawer
- Back compartment on longer boxes
- Heavy duty smooth action slides
- Mounting kit included - M3200D



Note: *Add L-Left (driver) or R-Right (passenger) Drawer configuration.

No.	Model Number	Material	Height (in.)	Depth (in.)	Width (in.)	Dim. D (in.)	Drawer/Depth	Back Compartment	Back Notch	Fits Box	Weight (lb.)
1.	A-DF410-20189*-S1	.90 Smooth	20	18	9	18	1 Side-W/Org.	N/A	No	6' - 8'	36
2.	A-DF410-20219*-S1	.90 Smooth	20	21	9	18	1 Side-W/Org.	N/A	No	6.5' - 8'	40
3.	A-DF420-20469*-S2	.90 Smooth	20	46	9	19	1 Side-W/Org.	N/A	No	6' - 8'	76
4.	A-DF420-20549*N-S2	.90 Smooth	20	54	9	19	1 Side-W/Org.	N/A	Yes	6' - 8'	84
5.	A-DF420-20649*N-S2	.90 Smooth	20	64	9	19	1 Side-W/Org.	N/A	Yes	6' - 8'	94
6.	A-DF420-20749*CN-S2	.90 Smooth	20	74	9	19	1 Side-W/Org.	Top	Yes	6.5' - 8'	106
7.	A-DF420-207412*CN-S2	.90 Smooth	20	74	12	19	1 Side-W/Org.	Top	Yes	6.5' - 8'	124

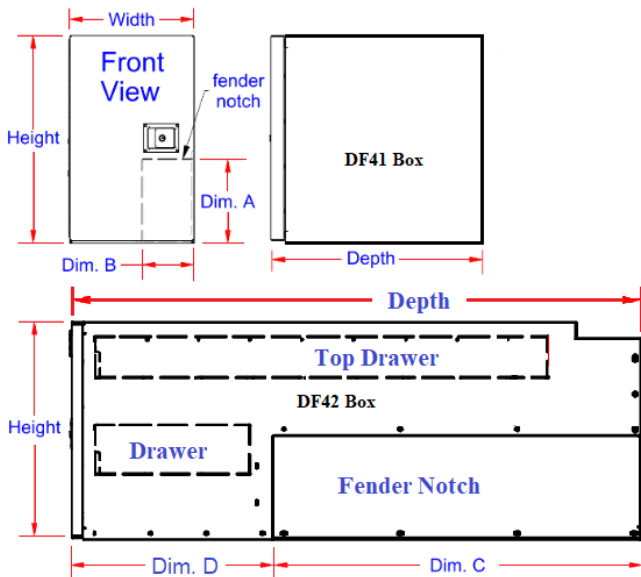
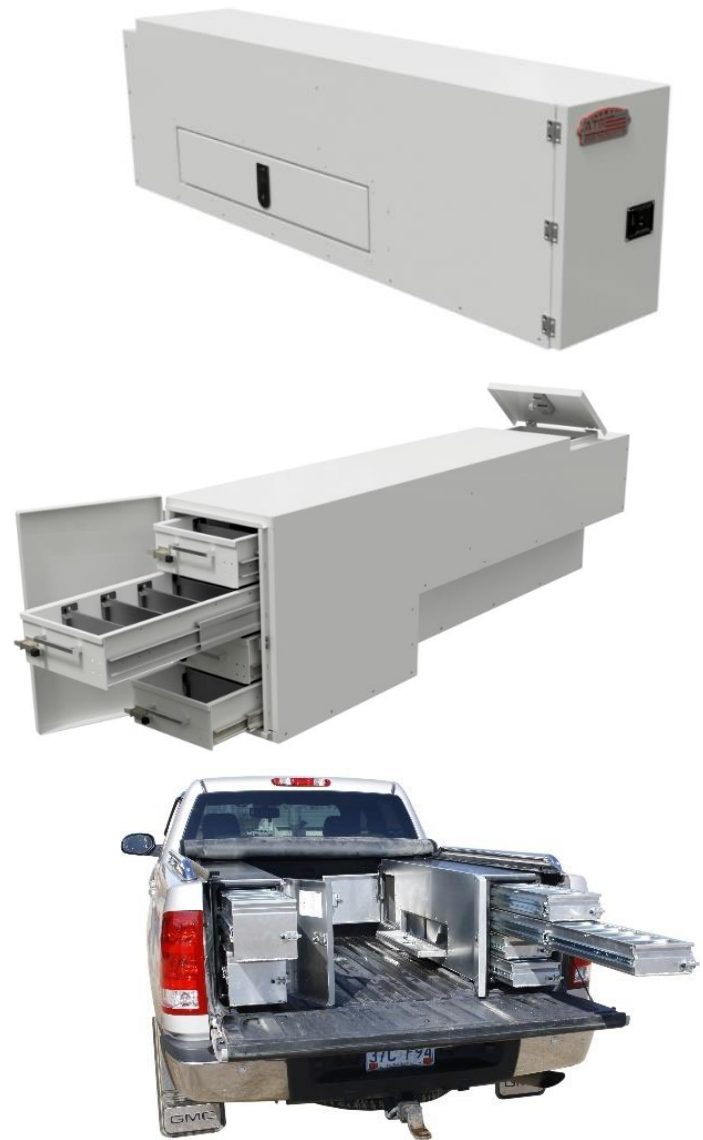
Note: Boxes are available in: Black (XB) and White (XW) Finish – add after part number.

DF – Drawer Fender Boxes - Steel or Aluminum

Drawer fender boxes are the ultimate storage solution for your pickup truck under the tarp applications; heavy duty, high capacity and offer easy access to your equipment and tools. Boxes can be mounted in truck bed over the fenders. These boxes are perfect for storing your equipment, tools and personal gear. Drawer fender boxes are available in custom size. All AMERICAN TRUCKBOXES boxes are designed and built to keep your equipment safe and secure.

Description

- An engineered aluminum & steel construction
- Optional - Powder coat finish steel boxes
- Stainless Steel hinge on full length of door/lid
- Lockable stainless-steel pull and/or DT-T-handle latch
- Automotive weather seal
- Fit under truck tonneau or box cover
- Removable dividers for organizing
- Back compartment on longer boxes
- Heavy duty smooth action slides
- Mounting kit included - M3200D



Note: *Add L-Left (driver) or R-Right (passenger) Drawer configuration.

No.	Model Number	Material	Height (in.)	Depth (in.)	Width (in.)	Dim. D (in.)	Drawer/Depth	Back Compart	Back Notch	Fits Box	Weight (lb.)
1.	A-DF41-201812*-S4	.90 Smooth	20	18	12	18	1-4=14"	N/A	No	6'- 8'	40
2.	A-DF41-202112*-S4	.90 Smooth	20	21	12	21	1-4=18"	N/A	No	6.5'- 8'	46
3.	A-DF42-204612*C-S3	.90 Smooth	20	46	12	19	1-41" x 2-3=14"	Side	No	6'- 8'	86
4.	A-DF42-204612*C-S4	.90 Smooth	20	46	12	19	1-2=41" x 3-4=14"	Side	No	6'- 8'	112
5.	A-DF42-206412*CN-S3	.90 Smooth	20	64	12	19	1-53" x 2-3=16"	Side	Yes	6'- 8'	122
6.	A-DF42-206412*CN-S4	.90 Smooth	20	64	12	19	1-2=53" x 3-4=16"	Side	Yes	6'- 8'	158
7.	A-DF42-207412*CN-S3	.90 Smooth	20	74	12	19	1-54" x 2=16"	Top/Side	Yes	6.5'- 8'	160
8.	A-DF42-207412*CN-S4	.90 Smooth	20	74	12	19	1-2=54" x 3-4=16"	Top/Side	Yes	6.5'- 8'	214
9.	S-DF31-201812*-W4	16g Steel	20	18	12	N/A	1-4=14"	N/A	No	6'- 8'	52
10.	S-DF31-202112*-W4	16g Steel	20	21	12	N/A	1-4=18"	N/A	No	6.5'- 8'	60
11.	S-DF32-204612*C-W4	16g Steel	20	46	12	19	1-2=41" x 3-4=16"	Side	No	6.0'- 8'	174
12.	S-DF32-206412*CN-W4	16g Steel	20	64	12	19	1-2=53" x 3-4=16"	Side	Yes	6.5'- 8'	230
13.	S-DF32-207412*CN-W4	16g Steel	20	74	12	19	1-2=54" x 3-4=16"	Top/Side	Yes	6.5'- 8'	294

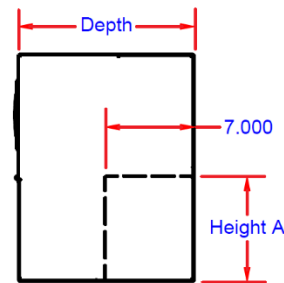
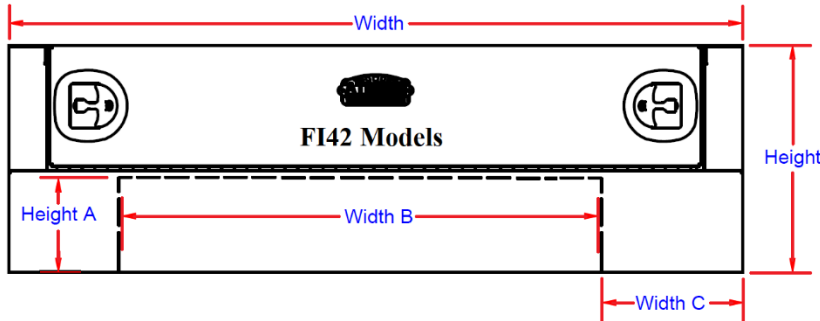
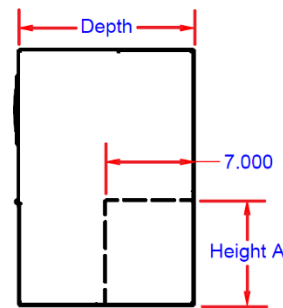
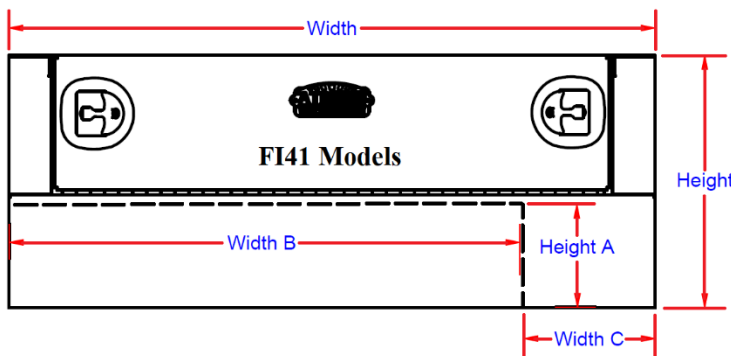
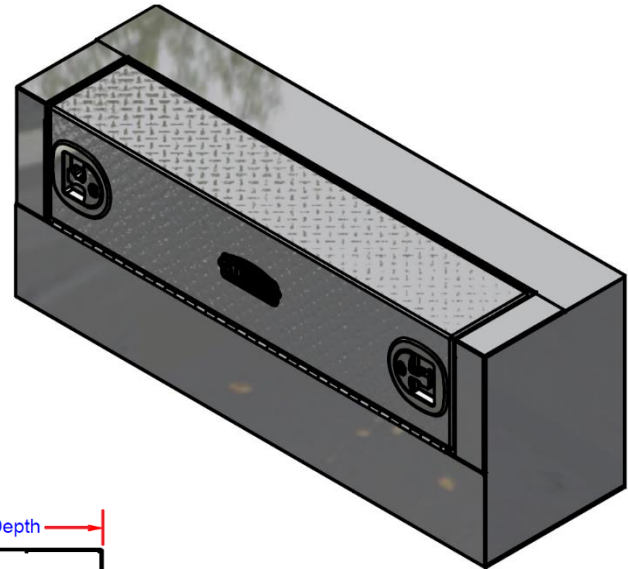
Note: Boxes are available in: Black (XB) and White (XW) Finish – add after part number.

FI - Fender Inside Boxes- Aluminum

Fender inside boxes are a ultimate storage solution for your pickup truck under the tarp applications. Boxes can be mounted in truck bed, inside and over fender, cuddling the fender. These boxes are perfect for storing your equipment, tool and gear. Fender boxes come in different sizes and can be ordered custom sizes. All AMERICAN TRUCKBOXES boxes are designed and built to keep your tools safe and secure.

Description

- An engineered aluminum construction
- Optional zinc epoxy primer with MR powder baked topcoat finish
- Lockable stainless-steel DT-T-Handle Lock
- Automotive weather seal
- Stainless steel hinge
- Mounting kit included - M3200D



Note: Boxes are available in: Black (XB) and White (XW) Finish – add after part number.

*Add a L-for Left Side of Truck Box (Driver Side) and a R-for Right Side of Truck Box (Passenger Side).

No.	Model Number	Material	Height (in.)	Depth (in.)	Width (in.)	Height A (in.)	Width B (in.)	Width C (in.)	Fits Box	Weight (lb.)
1.	A-FI41-181046D*-T	.090 Smooth/.100 TP	18	10	46	8.25	36	10	6'	36
2.	A-FI41-181246D*-T	.090 Smooth/.100 TP	18	12	46	8.25	36	10	6'	40
3.	A-FI41-181446D*-T	.090 Smooth/.100 TP	18	14	46	8.25	36	10	6'	42
4.	A-FI42-181058D*-T	.090 Smooth/.100 TP	18	10	58	8.25	36	14	6.5'	44
5.	A-FI42-181258D*-T	.090 Smooth/.100 TP	18	12	58	8.25	36	14	6.5'	48
6.	A-FI42-181458D*-T	.090 Smooth/.100 TP	18	14	58	8.25	36	14	6.5'	50
7.	A-FI42-181076D*-T	.090 Smooth/.100 TP	18	10	76	8.25	36	20	8'	56
8.	A-FI42-181276D*-T	.090 Smooth/.100 TP	18	12	76	8.25	36	20	8'	60
9.	A-FI42-181476D*-T	.090 Smooth/.100 TP	18	14	76	8.25	36	20	8'	63

Note: Measure your truck to make sure box will fit mounting area. Boxes are available in different configuration and custom sizes.

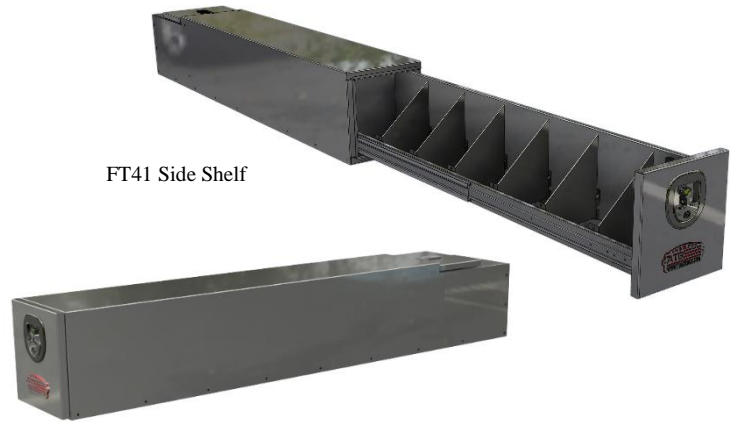
FT- Fender Top Drawer Boxes - Aluminum

Fender top drawer boxes are ultimate storage solution for your pickup truck under the tarp applications; heavy duty and offer easy access to your equipment and tools. Boxes can be mounted in truck bed over the fender. These boxes are perfect for storing your equipment, tools and personal gear. Fender boxes are available in different sizes and can be ordered custom size. All AMERICAN TRUCKBOXES boxes are designed and built to keep your equipment safe and secure.

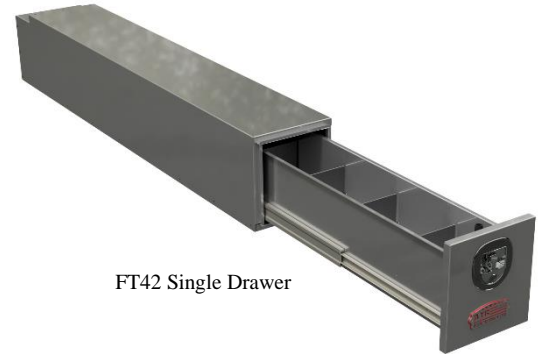
Description

- An engineered aluminum construction
- Stainless Steel hinge on full length of door/Lid
- Lockable SS Dolphin Tail HD adjustable T-handle latch
- Hemmed adjustable dividers
- Automotive weather seal.
- Heavy duty slides
- Mounting kit not included - Bottom leg support use M3810P

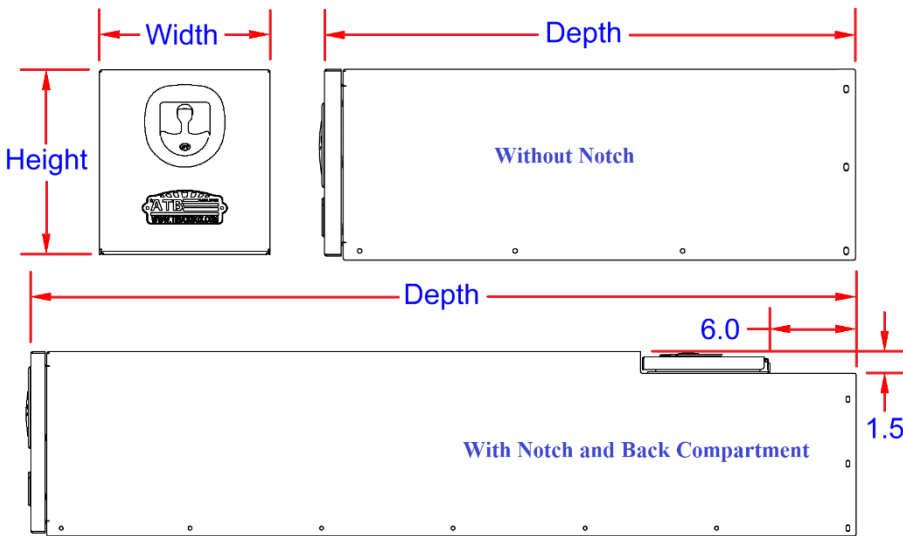
FT41 Side Shelf



FT42 Single Drawer



FT42 Double Drawer



Note: *Add L-Left (driver) or R-Right (passenger) Drawer Configuration.

No.	Model Number	Material	Height (in.)	Depth (in.)	Width (in.)	Back Compartment	Back Notch	Drawers	Fits Box	Weight (lb.)
1.	A-FT41-12528*-S1	.090 Smooth/.100 TP	12	52	8	N/A	N/A	1 Side Shelf	All	89
2.	A-FT41-12648*-S1	.090 Smooth/.100 TP	12	64	8	N/A	N/A	1 Side Shelf	6'- 8"	118
3.	A-FT41-12708*CN-S1	.090 Smooth/.100 TP	12	70	8	Top	Yes/Top	1 Side Shelf	6.5'	128
4.	A-FT41-12768*CN-S1	.090 Smooth/.100 TP	12	76	8	Top	Yes/Top	1 Side Shelf	6.5'-8'	132
5.	A-FT41-135210*-S1	.090 Smooth/.100 TP	13	52	10	N/A	N/A	1 Side Shelf	All	98
6.	A-FT41-136410*-S1	.090 Smooth/.100 TP	13	64	10	N/A	N/A	1 Side Shelf	6'	130
7.	A-FT41-137010*CN-S1	.090 Smooth/.100 TP	13	70	10	Top	Yes/Top	1 Side Shelf	6.5'	138
8.	A-FT41-137510*CN-S1	.090 Smooth/.100 TP	13	76	10	Top	Yes/Top	1 Side Shelf	6.5'-8'	143
9.	A-FT42-135212-S1	.090 Smooth/.100 TP	13	52	12	N/A	N/A	1	All	110
10.	A-FT42-136412-S1	.090 Smooth/.100 TP	13	64	12	N/A	N/A	1	6'	145
11.	A-FT42-137012CN-S1	.090 Smooth/.100 TP	13	70	12	Top	Yes/Top	1	6.5'	156
12.	A-FT42-137612CN-S1	.090 Smooth/.100 TP	13	76	12	Top	Yes/Top	1	6.5'-8'	162
13.	A-FT42-135212-S2	.090 Smooth/.100 TP	13	52	12	N/A	N/A	2	All	150
14.	A-FT42-136412-S2	.090 Smooth/.100 TP	13	64	12	N/A	N/A	2	6'	195
15.	A-FT42-137012CN-S2	.090 Smooth/.100 TP	13	70	12	Top	Yes/Top	2	6.5'	206
16.	A-FT42-137612CN-S2	.090 Smooth/.100 TP	13	76	12	Top	Yes/Top	2	6.5'-8'	232

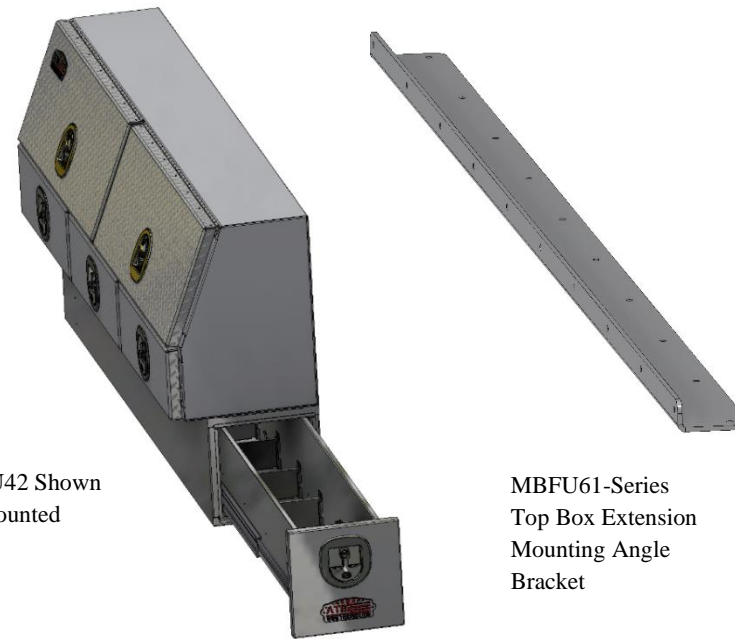
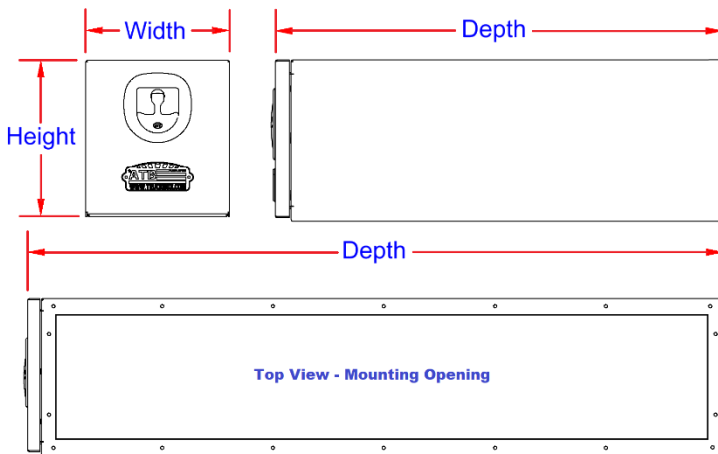
Note: Measure your truck to make sure box will fits mounting area. Boxes are available in different configuration and custom sizes.

FU- Fender Under Mount Drawer Boxes - Aluminum

Fender under box mount drawer boxes are ultimate storage solution for your pickup truck in box above fender applications. Boxes are heavy duty and offer easy access to your equipment and tools. Boxes can be mounted in truck bed over the fender and under top side boxes. These boxes are perfect for storing your equipment, tools and personal gear. Fender boxes are available in different sizes and can be ordered custom size. All AMERICAN TRUCKBOXES boxes are designed and built to keep your equipment safe and secure.

Description

- An engineered aluminum construction
- Inserts for Mounting full length of box
- Lockable SS Dolphin Tail HD adjustable T-handle latch
- Hemmed adjustable dividers
- Automotive weather seal.
- Heavy duty slides
- Mounting bolts included – Bottom leg support use M3810P



FU42 Shown Mounted

MBFU61-Series Top Box Extension Mounting Angle Bracket



M3810P Bottom Leg Support

No.	Model Number	Material	Height (in.)	Depth (in.)	Width (in.)	Back Compart.	Back Notch	Drawers	Fits Box	Weight (lb.)
1.	A-FU42-124812-S1	.090 Smooth/.100 TP	12	48	12	N/A	N/A	1	All	96
2.	A-FU42-126012-S1	.090 Smooth/.100 TP	12	60	12	N/A	N/A	1	6'	125
3.	A-FU42-127212-S1	.090 Smooth/.100 TP	12	72	12	N/A	N/A	1	6.5'	148
4.	A-FU42-127612-S1	.090 Smooth/.100 TP	12	76	12	N/A	N/A	1	6.5'-8'	158
5.	A-FU42-128812-S1	.090 Smooth/.100 TP	12	88	12	N/A	N/A	1	6.5'-8'	180

Note: Measure your truck to make sure the box will fit the mounting area. Boxes are available in different configuration and custom sizes.

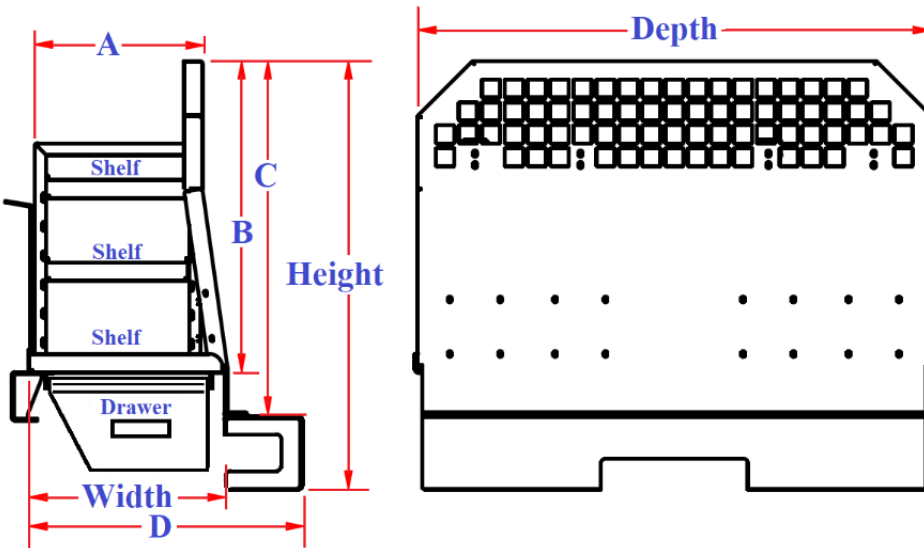
PC – Pickup Back Seat Cargo Storage Shelf & Drawers- Aluminum

Pickup Tool Cargo Storage units are the ultimate storage solution for in-cab or in-Vehicle back seat storage. Mounted inside truck cab backseat. These shelves are perfect for storing your equipment, tools, and personal gear.

Description
• An engineered aluminum construction
• Edge seal around openings
• Heavy duty rack (2" x 2" holes)
• Adjustable shelves & optional drawers
• Optional powder baked topcoat finish
• Fire extinguisher mount and opening
• Reflector box mounting space
• Mounting kit included



Shown with Drawers



Note: *Boxes are available in: Black (XB) and White (XW) Finish – add after part number.

No.	Model Number	Material	Height (in.)	Depth (in.)	Width (in.)	Shelves Drawer	Drawer Height	Top Shelf (W)	Fits Truck	Weight (lb.)
1.	A-PC61-C-475722-S3	.125/.190/.250 Smooth	47	57	22	3 Shelves None	N/A	15"	Chevy 1500/2500 2019-2024 Double Cab	224
2.	A-PC61-C-475731-S3	.125/.190/.250 Smooth	47	57	31	3 Shelves None	N/A	25"	Chevy 1500/2500 2019-2024 Crew Cab	275
3.	A-PC61-C-475722-S32	.125/.190/.250 Smooth	47	57	22	3 Shelves 2 Drawers	9"	15"	Chevy 1500/2500 2019-2024 Double Cab	270
4.	A-PC61-C-475731-S32	.125/.190/.250 Smooth	47	57	31	3 Shelves 2 Drawers	9"	25"	Chevy 1500/2500 2019-2024 Crew Cab	325
5.	A-PC61-F-455720-S3	.125/.190/.250 Smooth	45	57	20	3 Shelves None	N/A	14"	Ford F150/F250 2017-2024 Super Cab	192
6.	A-PC61-F-455732-S3	.125/.190/.250 Smooth	45	57	32	3 Shelves None	N/A	26"	Ford F150/F250 2017-2024 Crew Cab	278
7.	A-PC61-F-455720-S32	.125/.190/.250 Smooth	45	57	20	3 Shelves 2 Drawers	7"	14"	Ford F150/F250 2017-2024 Super Cab	235
8.	A-PC61-F-455732-S32	.125/.190/.250 Smooth	45	57	32	3 Shelves 2 Drawers	7"	26"	Ford F150/F250 2017-2024 Crew Cab	330

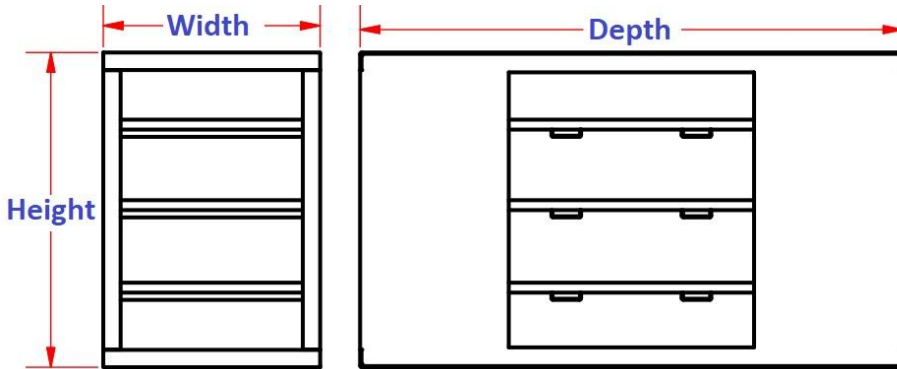
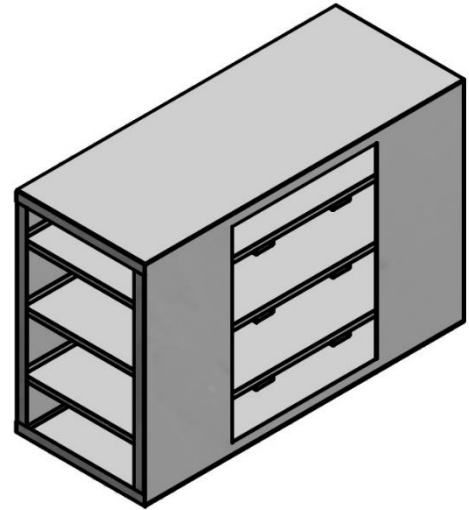
Note: Measure your truck to make sure storage unit will fit the mounting area. Units are available in different configuration and custom sizes.

PT – Pickup Back Seat Storage Shelf & Drawers- Aluminum

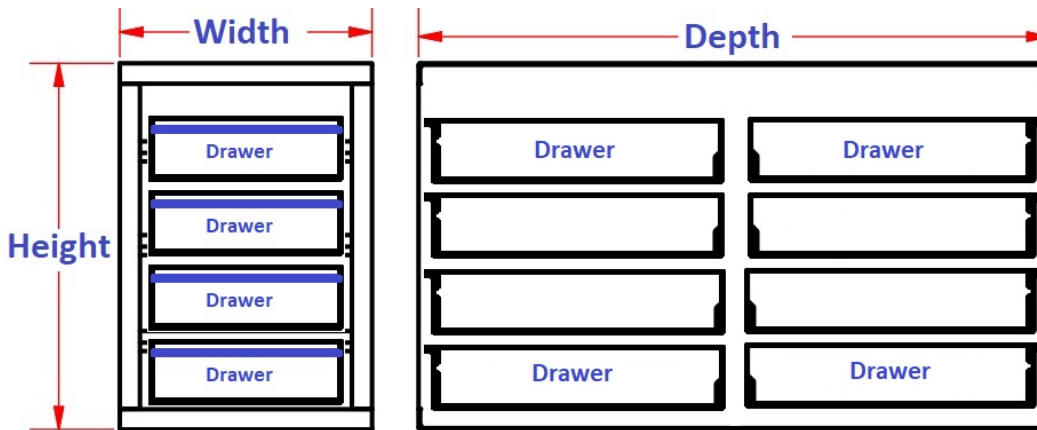
Pickup Tool Storage units are ultimate storage solution for in-cab or in-Vehicle back seat storage. Mounted inside truck cab backseat. These shelves are perfect for storing your equipment, tools, and personal gear.

Description

- An engineered aluminum construction
- Edge seal around opening
- Heavy duty shelves & drawers
- Optional powder baked topcoat finish
- Mounting kit included - M3200D



A-PT Models



A-PT Models with Drawers

No.	Model Number	Material	Height (in.)	Depth (in.)	Width (in.)	Drawer/ Shelves	Drawer Height	Side Opening	Fits Truck	Weight (lb.)
1.	A-PT41-245522-S2	.090 Smooth	24	55	22	None/2	N/A	22" X 24"	Crew Cab	58
2.	A-PT41-305522-S3	.090 Smooth	30	55	22	None/3	N/A	28" X 24"	Crew Cab	78
3.	A-PT41-365522-S3	.090 Smooth	36	55	22	None/3	N/A	34" X 24"	F250 Crew Cab	84
4.	A-PT51-365522-S3	.125 Smooth	36	55	22	None/3	N/A	34" X 24"	F250 Crew Cab	116
5.	A-PT41-245522-S42	.090 Smooth	24	55	22	4=26"	4.0"	N/A	Crew Cab	148
6.	A-PT41-305522-S63	.090 Smooth	30	55	22	6=26"	4.0"	N/A	Crew Cab	180
7.	A-PT41-365522-S83	.090 Smooth	36	55	22	8=26"	4.0"	N/A	F250 Crew Cab	220
8.	A-PT51-365522-S83	.125 Smooth	36	55	22	8=26"	4.0"	N/A	F250 Crew Cab	280

Note: Measure your truck to make sure storage unit will fit mounting area. Boxes are available in different configuration and custom sizes.

FG - Door Frame Kits (External) - Aluminum & Steel - Drop or Bottom Open Door

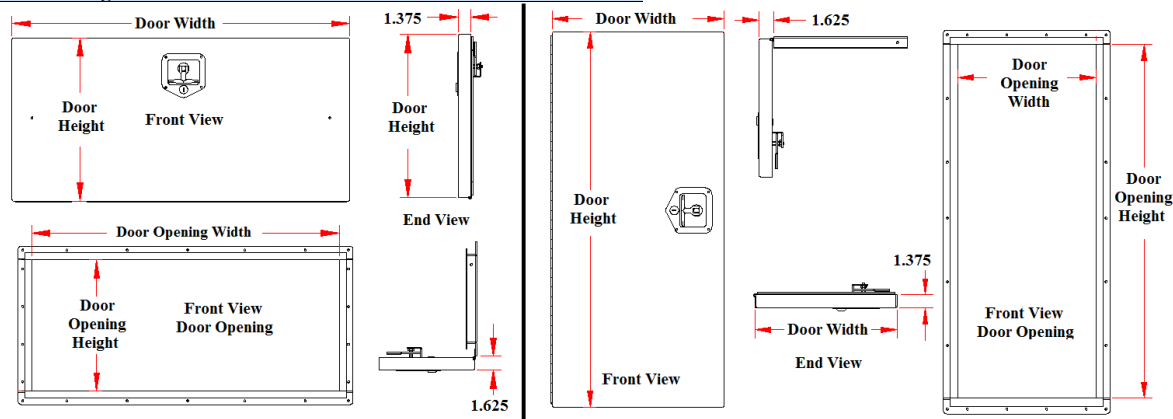
Frame kits are heavy duty and offer a great way to access service areas and where an access door is needed. Frame kits can be mounted on any flat surface or many other applications. Frame kits are available in different sizes, and can be ordered custom size. All AMERICAN TRUCKBOXES frame kits are designed and built to keep your equipment safe and secure.

Description

- An engineered aluminum or steel construction
- Fully seam welded on all seams and corners
- Stainless steel continuous hinge full length of door
- Lockable stainless-steel T-Handle Lock - Adjustable lock striker
- Easy bolts to any flat surface
- Zinc epoxy primer with MR powder baked topcoat finish
- Fully concealed rain gutter and automotive type weather seal
- Optional gas spring on top hinged and side open boxes
- Mounting bolts & nuts included



Note: Door frame kits less than 38 inches width come standard with one lock only, unless otherwise specified.



No.	Model Number	Material	Height (in.)	Width (in.)	Door Opening Height (in.)	Door Opening Width (in.)	Cut Mount Height (in.)	Cut Mount Width (in.)	Weight (lbs)
1.	A-FG5-2020D-S	.125 Smooth	20	20	17	17	18.5	18.5	9
2.	A-FG5-2024D-S	.125 Smooth	20	24	17	21	18.5	22.5	11
3.	A-FG5-2030D-S	.125 Smooth	20	30	17	27	18.5	28.5	12
4.	A-FG5-2436D-S	.125 Smooth	24	36	21	33	22.5	34.5	16
5.	A-FG5-2448D-S	.125 Smooth	24	48	21	45	22.5	46.5	21
6.	S-FG4-2020D-*	14g. Steel	20	20	17	17	18.5	18.5	18
7.	S-FG4-2024D-*	14g. Steel	20	24	17	21	18.5	22.5	21
8.	S-FG4-2030D-*	14g. Steel	20	30	17	27	18.5	28.5	25
9.	S-FG4-2436D-*	14g. Steel	24	36	21	33	22.5	34.5	33
10.	S-FG4-2448D-*	14g. Steel	24	48	21	45	22.5	46.5	42
11.	A-FG5-2020L-S	.125 Smooth	20	20	17	17	18.5	18.5	9
12.	A-FG5-2420L-S	.125 Smooth	24	20	21	17	18.5	18.5	11
13.	A-FG5-3020L-S	.125 Smooth	30	20	27	17	18.5	18.5	12
14.	A-FG5-3624L-S	.125 Smooth	36	24	33	21	34.5	22.5	16
15.	A-FG5-4824L-S	.125 Smooth	48	24	45	21	46.5	22.5	21
16.	S-FG4-2020L-*	14g. Steel	20	20	17	17	18.5	18.5	18
17.	S-FG4-2420L-*	14g. Steel	24	20	21	17	22.5	18.5	21
18.	S-FG4-3020L-*	14g. Steel	30	20	27	17	28.5	18.5	25
19.	S-FG4-3624L-*	14g. Steel	36	24	33	21	34.5	22.5	33
20.	S-FG4-4824L-*	14g. Steel	48	24	45	21	46.5	22.5	42

FR - Door Frame Recessed Kits (Flush) - Aluminum & Steel – Side Open Door

Frame kits are heavy duty and offer a great way to access service areas and where an access door is needed. Frame kits can be mounted on any flat service or many other applications. Frame kits are available in different sizes, and can be ordered custom size. All AMERICAN TRUCKBOXES frame kits are designed and built to keep your equipment safe and secure.

Description

- An engineered aluminum or steel construction
- Fully seam welded on all seams and corners
- Stainless steel continuous hinge full length of door
- Lockable stainless-steel T-Handle Lock - Adjustable lock striker
- Easy bolts to any flat surface
- Zinc epoxy primer with MR powder baked topcoat finish
- Fully concealed rain gutter and automotive type weather seal
- Optional gas spring on top hinged and side open boxes
- Mounting bolts & nuts included

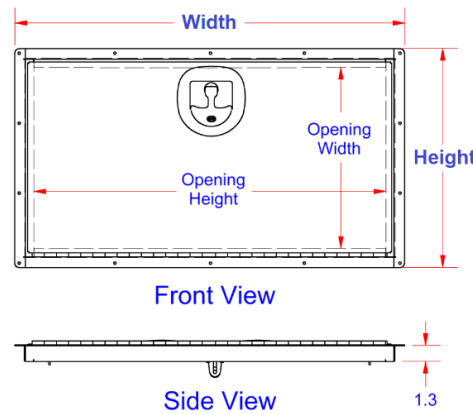
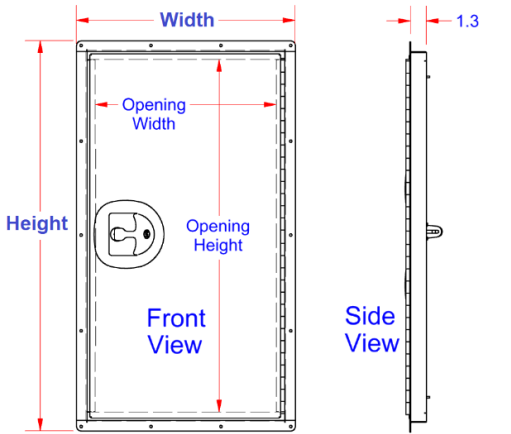


Drop Open



Side Open

Note: Door frame kits less than 38 inches width come standard with one lock only, unless otherwise specified.



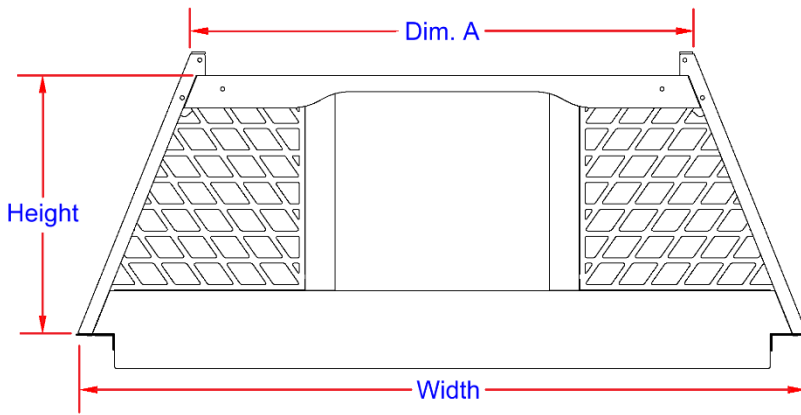
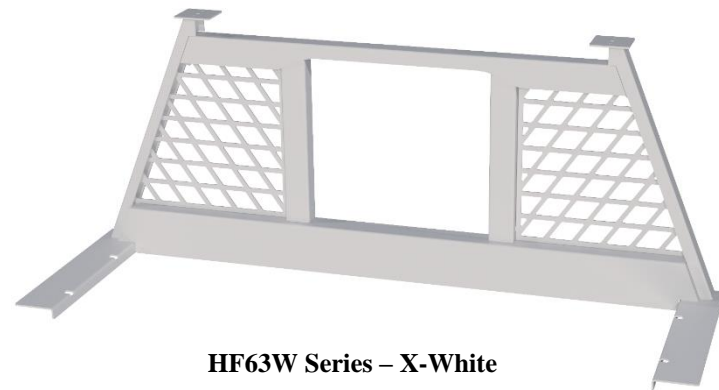
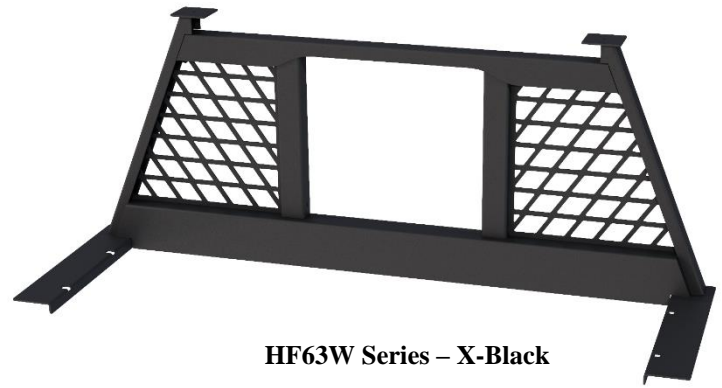
No.	Model Number	Material	Height (in.)	Width (in.)	Door Opening Height (in.)	Door Opening Width (in.)	Cut Mount Height (in.)	Cut Mount Width (in.)	Weight (lbs)
1.	A-FR5-2020D-S	.125 Smooth	20	20	16.9	16.9	18.5	18.5	9
2.	A-FR5-2024D-S	.125 Smooth	20	24	16.9	20.9	18.5	22.5	11
3.	A-FR5-2030D-S	.125 Smooth	20	30	16.9	26.9	18.5	28.5	12
4.	A-FR5-2436D-S	.125 Smooth	24	36	20.9	32.9	22.5	34.5	16
5.	A-FR5-2448D-S	.125 Smooth	24	48	20.9	44.9	22.5	46.5	21
6.	S-FR4-2020D-*	14g. Steel	20	20	16.9	16.9	18.5	18.5	18
7.	S-FR4-2024D-*	14g. Steel	20	24	16.9	20.9	18.5	22.5	21
8.	S-FR4-2030D-*	14g. Steel	20	30	16.9	26.9	18.5	28.5	25
9.	S-FR4-2436D-*	14g. Steel	24	36	20.9	32.9	22.5	34.5	33
10.	S-FR4-2448D-*	14g. Steel	24	48	20.9	44.9	22.5	46.5	42
11.	A-FR5-2020L-S	.125 Smooth	20	20	16.9	16.9	18.5	18.5	9
12.	A-FR5-2420L-S	.125 Smooth	24	20	20.9	16.9	18.5	18.5	11
13.	A-FR5-3020L-S	.125 Smooth	30	20	26.9	16.9	18.5	18.5	12
14.	A-FR5-3624L-S	.125 Smooth	36	24	32.9	20.9	34.5	22.5	16
15.	A-FR5-4824L-S	.125 Smooth	48	24	44.9	20.9	46.5	22.5	21
16.	S-FR4-2020L-*	14g. Steel	20	20	16.9	16.9	18.5	18.5	18
17.	S-FR4-2420L-*	14g. Steel	24	20	20.9	16.9	22.5	18.5	21
18.	S-FR4-3020L-*	14g. Steel	30	20	26.9	16.9	28.5	18.5	25
19.	S-FR4-3624L-*	14g. Steel	36	24	32.9	20.9	34.5	22.5	33
20.	S-FR4-4824L-*	14g. Steel	48	24	44.9	20.9	46.5	22.5	42

HF – Pickup Rack – Aluminum & Steel

Racks are heavy duty and offer a great way to make your truck look great and help protect your truck cab and rear-view window. Racks can be used for many different applications like mounting, strobe lights, work lights and a ladder rack and/or pipe rack. Racks are available in different sizes and can be ordered custom size. All AMERICAN TRUCKBOXES racks are designed and built to a quality you respect.

Description

- An engineered aluminum or steel construction
- Fully seam welded on all seams and corners
- Aluminum and/or powder coated finish
- Optional LED lights
- LED Strobe Light Holders – Optional Center LED Strobe Mount
- Easy mountable
- Use in Combination with ATB Cross and Saddle Cross Boxes
- Mounting kit included



No.	Model Number	Material (gauge)	Height (in.)	Depth (in.)	Width (in.)	Dim. A	Dim. B	Screen	Window	Model	Weight (lb.)		
Aluminum Racks													
1.	A-HF61W-2470-S	.190	24	3	70	46-3/4	60.00	None	Yes	K1500	32		
	A-HF62N-2470-S							Yes-Full	No			F150	36
	A-HF63W-2470-S							Yes	Yes				48
2.	A-HF61W-2672-S	.190	26	3	72	48-3/4	62.00	None	Yes	K1500	34		
	A-HF62N-2672-S							Yes-Full	No			F150	42
	A-HF63W-2672-S							Yes	Yes			1500	56
3.	A-HF61W-2674-S	.190	26	3	74	50-3/4	64.00	None	Yes	F350	40		
	A-HF62N-2674-S							Yes-Full	No				52
	A-HF63W-2674-S							Yes	Yes				68
Steel Racks													
4.	S-HF51W-2470-S	14g-10g	24	3	70	46-3/4	60.00	None	Yes	K1500	54		
	S-HF52N-2470-S							Yes-Full	No			F150	68
	S-HF53W-2470-S							Yes	Yes				84
5.	S-HF51W-2672-S	14g-10g	26	3	72	48-3/4	62.00	None	Yes	K1500	60		
	S-HF52N-2672-S							Yes-Full	No			F150	90
	S-HF53W-2672-S							Yes	Yes			1500	98
6.	S-HF51W-2674-S	14g-10g	26	3	74	50-3/4	64.00	None	Yes	F350	72		
	S-HF52N-2674-S							Yes-Full	No				94
	S-HF53W-2674-S							Yes	Yes				114

Note: Boxes are available in: Black (XB) and White (XW) Finish – add after part number.

Racks are available in different configuration and custom sizes; call the factory for different sizes and options.

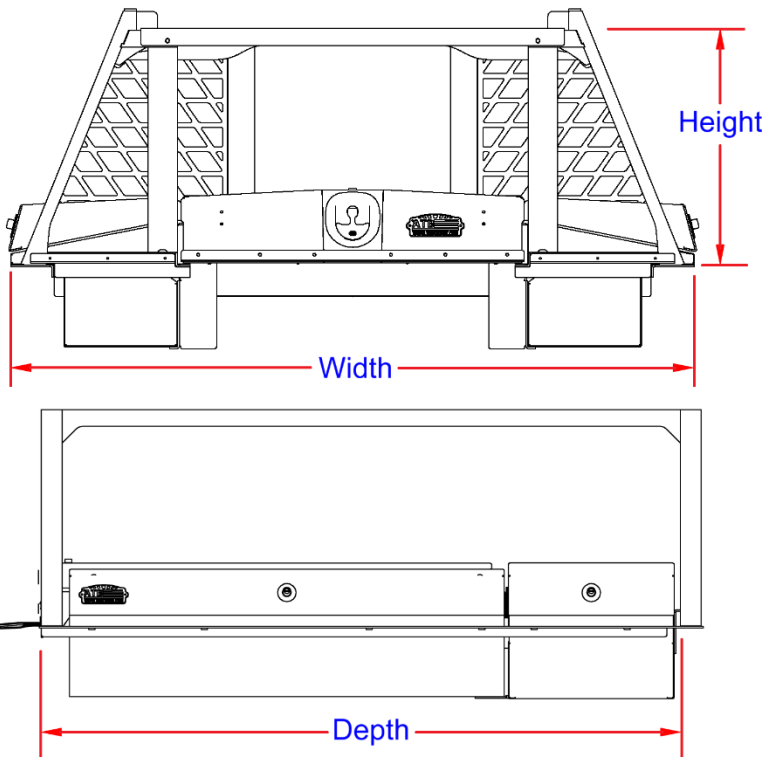
SP – Service-Pack for Pickups - Aluminum

Service-Packs are heavy duty and offer a great way to make your truck full-service vehicle and help protect your tools. Service-Pack can be used for many different applications, like electrical, plumbing, construction tools and parts. Service-Packs are available in different configuration and can be ordered custom setup. All AMERICAN TRUCKBOXES service-packs are designed and built to a quality you respect.

Description

- An engineered aluminum construction
- Fully seam welded on all seams and corners
- Plain, mirror or powder coated finish
- EZ-grab design for easy reaching for your tools
- Heavy duty automotive secure locks to protect your tools
- Fully concealed rain gutters and automotive type weather seal
- Easy mountable
- Service body replacement – huge saving benefit
- Professional sliding large tray with adjustable dividers
- Optional - Top ladder rotational rack optional
- Optional - LED lights – TLED-SP Kits

Mounting kit included



No.	Model Number	Style	Rack	Height (in.)	Depth (in.)	Width (in.)	Side Boxes	Cross Box	Screen/Window	Box (Ft)	Weight (lb.)
1.	A-SP51R-246770-TB	Lite-XS	Front & Back	24	67	70	Yes	No	Yes	5.5'	308
2.	A-SP52R-246770-TB	Pro-XS	Front & Back	24	67	70	Yes	20" Yes	Yes	5.5'	354
3.	A-SP51R-247670-TB	Lite-XM	Front & Back	24	76	70	Yes	No	Yes	6.5'	338
4.	A-SP51R-247970-TB	Lite-XM	Front & Back	24	79	70	Yes	No	Yes	6.75'	348
5.	A-SP52R-247670-TB	Pro-XM	Front & Back	24	76	70	Yes	20" Yes	Yes	6.5'	380
6.	A-SP52R-247970-TB	Pro-XM	Front & Back	24	79	70	Yes	20" Yes	Yes	6.75'	390
7.	A-SP51R-249570-TB	Lite-XL	Front & Back	24	95	70	Yes	No	Yes	8'	398
8.	A-SP53R-249570-TB	Pro-XL	Front & Back	24	95	70	Yes	24" Yes	Yes	8'	450
9.	A-SP54R-249570-TB	Pro-XL	Front & Back	24	95	70	Yes	28" Yes	Yes	8'	458

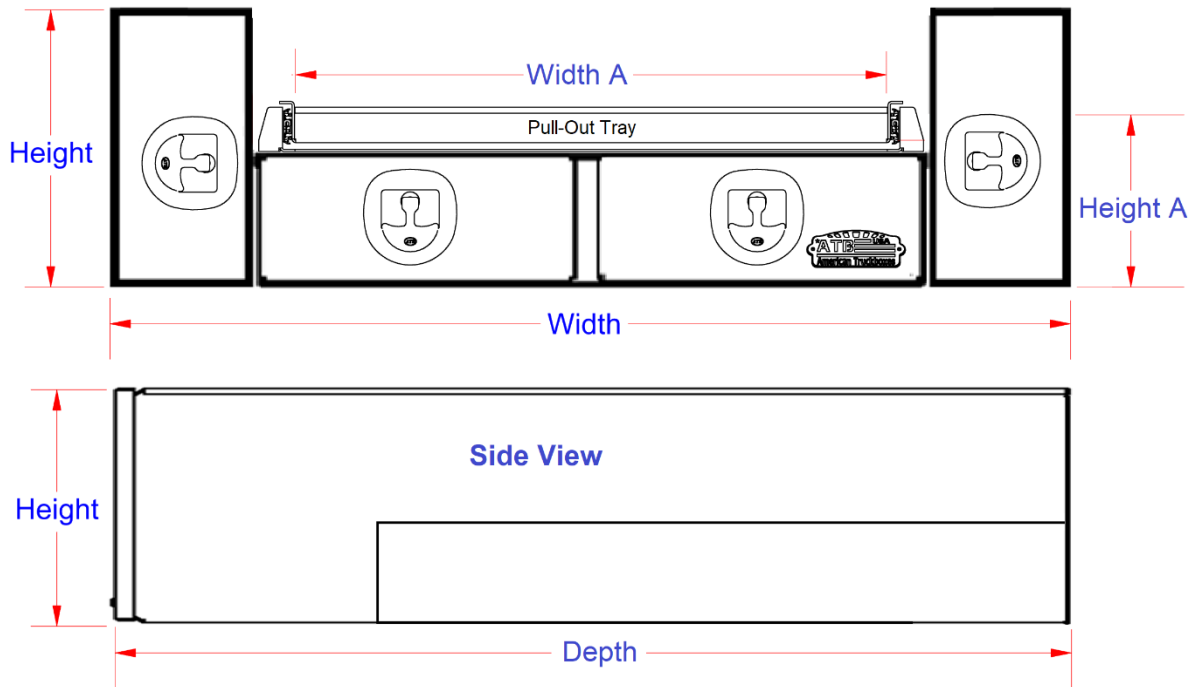
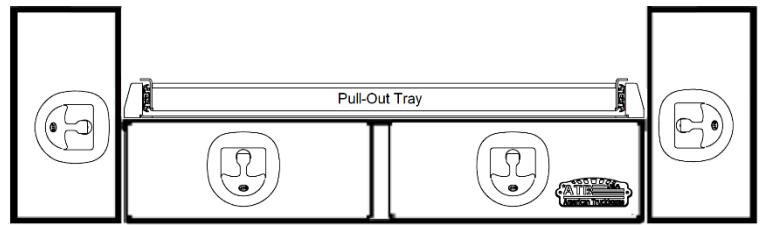
Note: Service-Packs are available in different configuration and custom sizes; call the factory for different sizes and options.

BS – Bed-Pack Complete Service Pack – Aluminum – Single and Double Pull-Out Drawer(s)

Bed-Pack Service Pack units are heavy duty and offer easy to access your equipment and tools. Bed-Pack units are designed to be mounted inside truck box. These boxes are perfect for storing your equipment, tools and personal gear. Bed-pack units are available in different sizes and can be ordered custom size. All AMERICAN TRUCKBOXES boxes are designed and built to keep your equipment safe and secure.

Description

- An engineered aluminum construction – Optional powder coat
- Fully seam welded on all seams and corners
- Channel braced reinforced top and bottom
- Lockable SS Dolphin Tail HD adjustable T-handle latch
- Automotive type weather seal
- Heavy duty drawer slides (300-450 lb.) smooth rolling action
- Drawers dividers removable for organization
- Optional Top Slide-Out Tray - (BT Series)
- Optional mounting end gate cross foot channel - M7001FC
- Mounting kit available



The BS Bed-Pack Complete Service Pack is a service pack to lift into truck bed.

No.	Model Number	Material	Height (in.)	Depth (in.)	Width (in.)	Tray Height Height A (in.)	Tray Width Width A (in.)	Drawer Cap (lbs.)	Weight (lb.)
1.	A-BS51-206460D-T	.125 Smooth/.125 TP	20	64	60	12.0	39"	450 each	385
2.	A-BS51-207660D-T	.125 Smooth/.125 TP	20	76	60	120	39"	450 each	425
3.	A-BS51-209460D-T	.125Smooth/.125 TP	20	94	60	12.0	39"	450 each	500

Note: Width or size of Service Pack may vary due to make of truck.

CE – Complete Service Enclosure-Packs – Aluminum – Single and Double Pull-Out Drawer(s)

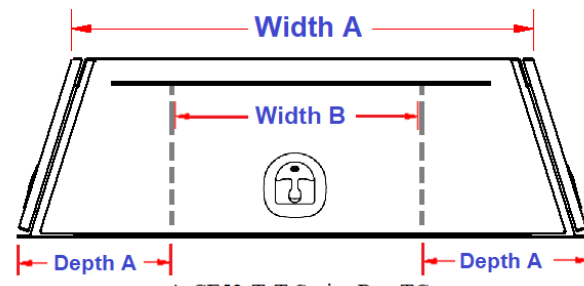
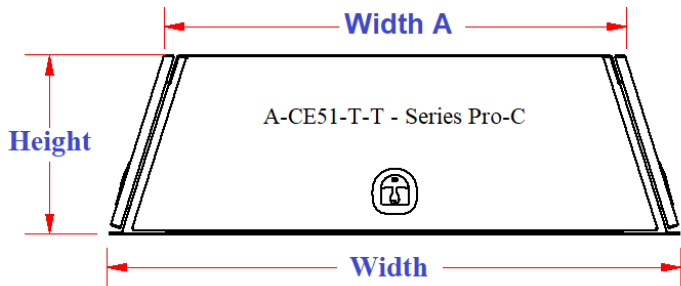
Complete service enclosure-pack boxes are heavy duty and offer easy to access your equipment and tools. Boxes can be mounted in truck box, on flatbeds or trailers. These boxes are perfect for storing your equipment, tools and personal gear. Enclosure-pack boxes are available in different sizes and can be ordered custom size. All AMERICAN TRUCKBOXES boxes are designed and built to keep your equipment safe and secure.

Description

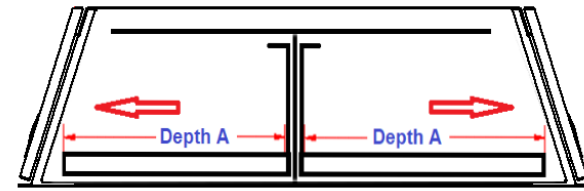
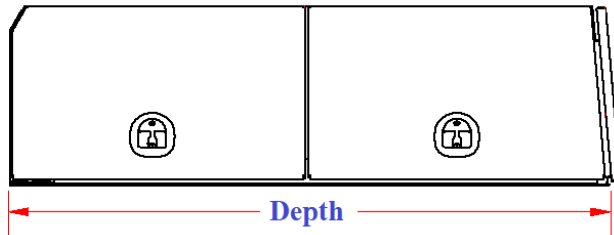
- An engineered aluminum construction
- Fully seam welded on all seams and corners
- Channel braced reinforced heavy-duty structure
- Lockable SS Dolphin Tail HD adjustable T-handle latch
- Automotive type weather seal
- HD drawer slides (500 lb.) – A-CE56 & CE58 Models
- Top Rack – Add R to Model Number
- Drawer dividers removable for organization
- Top Slide-Out Tray – A-CE54 Models
- Mounting kit not included



A-CE51 Series Pro-T



A-CE54-T-T1 Series Pro-TC Add Back Pullout Shelf



A-CE56-T-T2 Series Pro-TX

No.	Model Number	Material	Height (in.)	Depth (in.)	Width (in.)	Width A (in.)	Side Comp. Depth A (in.)	Center Comp. Width A (in.)	Drawer Width (in.)	Truck Box Length (Feet)	Weight (lb.)
1.	A-CE51-227071ST-S	.125S/.125TP	22	70	71	54	N/A	N/A	N/A	6	214
2.	A-CE51-228271ST-S	.125S/.125TP	22	82	71	54	N/A	N/A	N/A	6-1/2	232
3.	A-CE51-2210171DT-S	.125S/.125TP	22	101	71	54	N/A	N/A	N/A	8	288
4.	A-CE52-227071ST-S	.125S/.125TP	22	70	71	54	16	N/A	N/A	6	285
5.	A-CE52-228271ST-S	.125S/.125TP	22	82	71	54	16	N/A	N/A	6-1/2	305
6.	A-CE52-2210171DT-S	.125S/.125TP	22	101	71	54	16	N/A	N/A	8	380
7.	A-CE54-227071ST-S1	.125S/.125TP	22	70	71	54	16	39	32	6	355
8.	A-CE54-228271ST-S1	.125S/.125TP	22	82	71	54	16	39	32	6-1/2	390
9.	A-CE54-2210171DT-S1	.125S/.125TP	22	101	71	54	16	39	32	8	468
10.	A-CE56-227071DT-S2	.125S/.125TP	22	70	71	54	N/A	N/A	2 = 32x22	6	356
11.	A-CE56-228271DT-S2	.125S/.125TP	22	82	71	54	N/A	N/A	2 = 32x33	6-1/2	392
12.	A-CE58-2210171DT-S22	.125S/.125TP	22	101	71	54	16	N/A	2 = 32x42	8	472

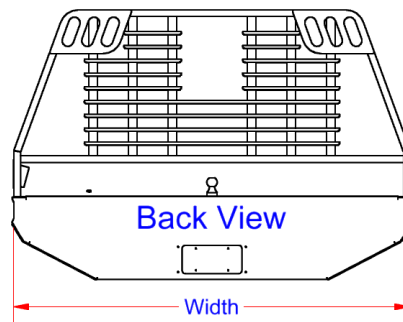
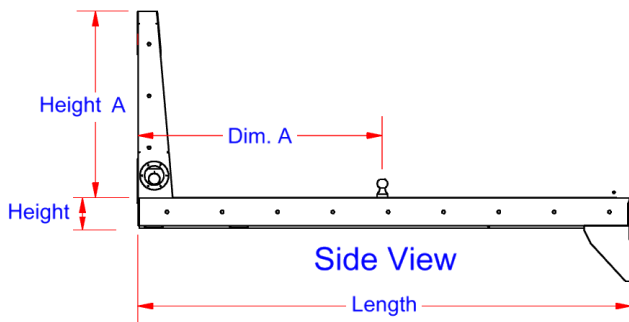
Note: Boxes are available in: Black (XB) and White (XW) Finish – add after part number.

FB - Flat Bed - Aluminum

Flat Beds are heavy duty and offer a great way to transfer your products and makes your truck a heavy-duty working truck. Flat beds are available in different sizes, and can be ordered custom size. It is the user's responsibility to comply with local, state and federal requirements pertaining to mounting and/or installing this flat bed. All AMERICAN TRUCKBOXES flat beds are designed and built to a quality you respect.

Description

- An engineered aluminum construction
- Welded bed and bolted rack
- Headache rack heavy duty
- Apitong wood Floor or Aluminum Diamond Tread
- LED lights
- Rack work light
- Optional - fifth wheel ball
- Optional - end gate
- Mounting kit not included



Deck Finish:

- P = Apitong
- O = Oak
- A = Smooth Aluminum Plate
- T = Diamond Tread Plate

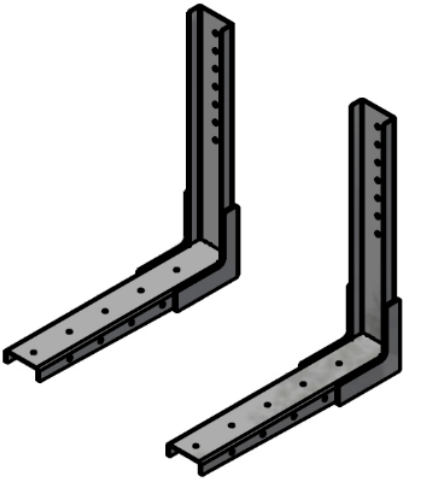
No.	Model Number	Material (gauge)	Height (in.)	Length (in.)	Width (in.)	Rack Height A (in.)	Floor Type	Truck	Truck Box Length (Feet)	Weight (lb.)
1.	A-FB81-68282-PA	3/16" - 1/4"	6	82	82	38	Apitong	150	6	325
2.	A-FB81-68882-PA	3/16" - 1/4"	6	88	82	38	Apitong	150	6-1/2	346
3.	A-FB81-69682-PA	3/16" - 1/4"	6	96	82	38	Apitong	150	6-1/2	365
4.	A-FB81-68286-PA	3/16" - 1/4"	6	82	86	40	Apitong	250	6 24" Bed Pak	312
5.	A-FB81-68886-PA	3/16" - 1/4"	6	88	86	40	Apitong	250	6-1/2	368
6.	A-FB81-610686-PA	3/16" - 1/4"	6	106	86	40	Apitong	250 350	8	390
7.	A-FB81-611686-PA	3/16" - 1/4"	6	116	86	40	Apitong	250 350	8	420
8.	A-FB81-69296-PA	3/16" - 1/4"	6	92	96	40	Apitong	350 Dually	8 24" Bed Pak	402
9.	A-FB81-611696-PA	3/16" - 1/4"	6	116	96	40	Apitong	350 Dually	8	440

Note: Flat Beds are available in different configuration and custom sizes; call the factory for different sizes and options.

M2000 Series = Steel L-Shape Fixed Brackets for C-Frame Application.

Fixed L-shape mounting brackets are super heavy duty, and mounted to C-frame or I-frame applications. All ATB mounting kits are designed and built to keep your boxes safe and secure.

Description							
• An engineered .125, .187 & .250 steel							
• Zinc epoxy primer with MR powder baked topcoat finish ensures years dependability							
• Welded angled cross support or angle support							
• Predrilled hole for easy mounting							
No.	Part Number	Application	Material Gauge	Brackets Qty.	Height Depth	Weight Per Set	Load Rating
1.	M2050C	C-Frame	1/8	2	20" x 20"	26 lbs.	300 lbs. Max
2.	M2060C	C-Frame	3/16	2	20" x 24"	34 lbs.	500 lbs. Max
3.	C2060C-3	C-Frame	3/16	3	20" x 24"	52 lbs.	500 lbs. Max
4.	M2070C	C-Frame	3/16	2	24" x 24"	36 lbs.	500 lbs. Max
5.	M2070C-3	C-Frame	3/16	3	24" x 24"	54 lbs.	500 lbs. Max
6.	M2100C	C-Frame	3/16	2	28" x 25"	42 lbs.	500 lbs. Max
7.	M2100C-3	C-Frame	3/16	3	28" x 25"	64 lbs.	500 lbs. Max
8.	M2104C	C-Frame	3/16	2	28" x 28"	46 lbs.	500 lbs. Max
9.	M2104C-3	C-Frame	3/16	3	28" x 28"	70 lbs.	500 lbs. Max
10.	M2120C	C-Frame	¼	2	28" x 25"	54 lbs.	700 lbs. Max
11.	M2120C-3	C-Frame	¼	3	28" x 25"	82 lbs.	700 lbs. Max
12.	M2124C	C-Frame	¼	2	28" x 28"	62 lbs.	700 lbs. Max
13.	M2124C-3	C-Frame	¼	3	28" x 28"	94 lbs.	700 lbs. Max
14.	M2130C	C-Frame	¼	2	36" x 34"	72 lbs.	700 lbs. Max
15.	M2130C-3	C-Frame	¼	3	36" x 34"	110 lbs.	700 lbs. Max
16.	M2100I	I-Frame	3/16	2	28" x 25"	44 lbs.	700 lbs. Max
17.	M2120I	I-Frame	¼	2	28" x 25"	56 lbs.	700 lbs. Max
18.	M2130I	I-Frame	¼	2	36" x 34"	76 lbs.	700 lbs. Max



M2---C-G

L-Brackets Brackets - Without Angled Support							
19.	M2052C-G	C-Frame	3/16	2	20" x 20"	31 lbs.	250 lbs. Max
20.	M2060C-G	C-Frame	3/16	2	20" x 24"	35 lbs.	250 lbs. Max
21.	M2070C-G	C-Frame	3/16	2	24" x 24"	37 lbs.	250 lbs. Max
22.	M2100C-G	C-Frame	3/16	2	28" x 25"	44 lbs.	250 lbs. Max
23.	M2106C-G	C-Frame	3/16	2	32" x 30"	58 lbs.	250 lbs. Max
24.	M2120C-G	C-Frame	¼	2	28" x 25"	56 lbs.	350 lbs. Max
25.	M2126C-G	C-Frame	¼	2	32" x 30"	72 lbs.	350 lbs. Max

L-CB Series = Steel Cross Beams for M2100 Series Brackets.

Cross beams are super heavy duty, and mounted between the 2100 series L-brackets. Cross beam supports the bottom of box when heavy objects are loaded into box. All ATB mounting kits are designed and built to keep your boxes safe and secure.

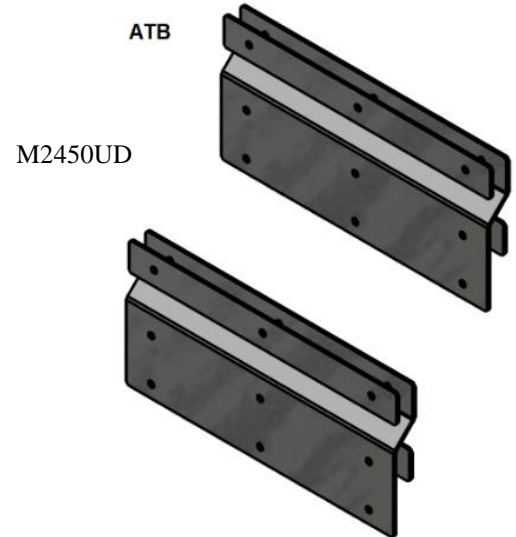
Description					
• An engineered 1.5" x 3.0" .187 (3/16g) steel					
• Zinc epoxy primer with MR powder baked topcoat finish ensures years dependability					
• An engineered 1.5" x 3.0" .250 (1/4g) aluminum					
• Predrilled ½" holes for easy mounting					
No.	Part Number	Application	Length	Weight	Load Rating
1.	L-CB24A	Alum Under Box	24" – 16 5/8"	2.2 lbs.	500 lbs. Max
2.	L-CB30A	Alum Under Box	30" – 22-5/8"	2.8 lbs.	500 lbs. Max
3.	L-CB36A	Alum Under Box	36" – 28-5/8"	3.5 lbs.	500 lbs. Max
4.	L-CB48A	Alum Under Box	48" – 40-5/8"	4.8 lbs.	500 lbs. Max
5.	L-CB60A	Alum Under Box	60" – 52-5/8"	6.4 lbs.	500 lbs. Max
6.	L-CB72A	Alum Under Box	72" – 64-5/8"	7.8 lbs.	500 lbs. Max
7.	L-CB24S	Steel Under Box	24" – 16 5/8"	4.8 lbs.	500 lbs. Max
8.	L-CB30S	Steel Under Box	30" – 22-5/8"	6.0 lbs.	500 lbs. Max
9.	L-CB36S	Steel Under Box	36" – 28-5/8"	7.5 lbs.	500 lbs. Max
10.	L-CB48S	Steel Under Box	48" – 40-5/8"	10.5 lbs.	500 lbs. Max
11.	L-CB60S	Steel Under Box	60" – 52-5/8"	14.0 lbs.	500 lbs. Max
12.	L-CB72S	Steel Under Box	72" – 64-5/8"	17.0 lbs.	500 lbs. Max



M2450D Series = Aluminum Underbody Top Mount Application

Adjustable under deck top mount brackets are heavy duty, and mounted to box and under van cross beam applications. All ATB mounting kits are designed and built to keep your boxes safe and secure. (See Mounting Kit Installation Sheet for more information)

Description					
• An engineered .190 (7g) Aluminum Construction					
• Predrilled holes adjustable for easy mounting					
No.	Part Number	Application	Height Width	Weight Per Set	Load Rating
1.	M2450UD-6-18B	Under Deck	6"x 15.5"	13 lbs.	250 lbs. Max
2.	M2450UD-6-20B	Under Deck	6"x 17.5"	14 lbs.	250 lbs. Max
3.	M2450UD-6-22B	Under Deck	6"x 19.5"	15 lbs.	250 lbs. Max
4.	M2450UD-6-24B	Under Deck	6"x 21.5"	16 lbs.	250 lbs. Max
5.	M2450UD-12-18B	Under Deck	12"x 15.5"	20 lbs.	250 lbs. Max
6.	M2450UD-12-20B	Under Deck	12"x 17.5"	12 lbs.	250 lbs. Max
7.	M2450UD-12-22B	Under Deck	12"x 19.5"	24 lbs.	250 lbs. Max
8.	M2450UD-12-24B	Under Deck	12"x 21.5"	26 lbs.	250 lbs. Max



M3200 Series = Top & Deck Mount Application

Top deck mount brackets are used for mounting boxes to a deck or flat surface. All ATB mounting kits are designed and built to keep your boxes safe and secure.

Description

- Fasteners and Rubber
- Requires drilling on box and mounting surface

Part No.	Part Number	Box Series	Bolt Size	Weight Per Set	Load Rating
1.	M3200D	SG - SR	5/16"	2 lbs.	Bolt-N/A
2.	M3200D-DU2	DU41-DU42	5/16"	4 lbs.	Bolt-N/A
3.	M3200D-DU3	DU41-DU42	5/16"	6 lbs.	Bolt-N/A
4.	M3250A-6	AF-SF-GB	5/16"	4 lbs.	Bolt-N/A



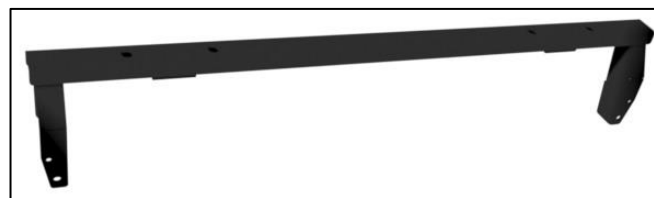
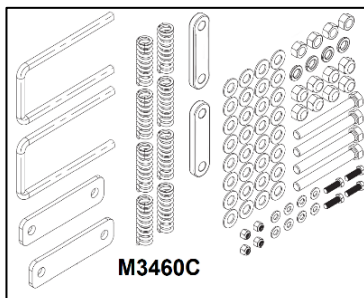
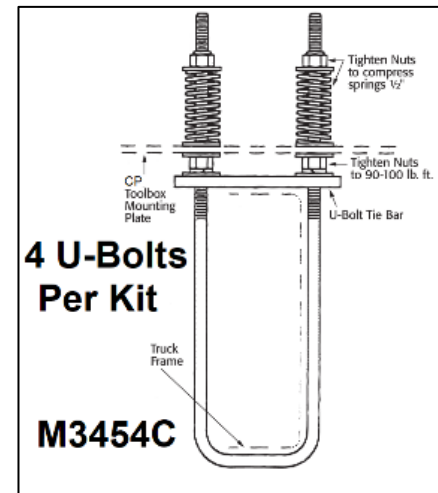
M3400 Series = Frame Mount Application.

Frame mount brackets are used to mount boxes to frame on truck. All ATB mounting kits are designed and built to keep your boxes safe and secure.

Description

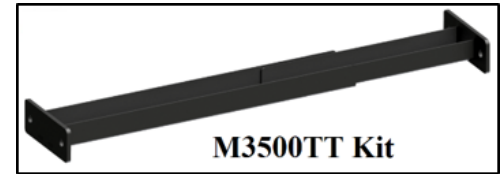
- Steel construction
- Zinc epoxy primer with MR powder baked topcoat finish
- U-Bolt system requires no drilling to frame

Part No.	Part Number	Description/Box	Bolt Size	Weight Per Set	Load Rating
1.	M3450C	4=U-Bolts, Washer - Nuts - Rubber - 3-5/8"CC x 14-1/4" ID	5/8"	12 lbs.	U-Bolt-N/A
2.	M3452C	4=U-Bolts, Washer - Nuts - Rubber - Plates 3-5/8"CC x 14-1/4" ID	5/8"	18 lbs.	U-Bolt-N/A
3.	M3454C	CP Boxes - U-Bolt Mount Kit W/Springs 4-1/4"CC x 15-3/8" ID - CP Boxes	5/8"	28 lbs.	U-Bolt-NA
4.	M3460C	CP Boxes - U-Bolt Mount Kit 4-1/4"CC x 15-3/8" ID - CP Boxes (Ford F350-F450-F550 2017 Plus)	3/8" 5/8"	20 lbs.	U-Bolt-NA
5.	M3460-250-52B	CP Cross-Pack Mounting Adapter Brackets (Ford F350-F450-F550 2017 Plus)	3/8" 5/8"	55 lbs.	Bracket N/A



M3500 Series = Top Side Rail Mount Application.

Top side rail mount brackets are used to mount boxes to top rail of a pickup truck. All ATB mounting kits are designed and built to keep your boxes safe and secure.



Description

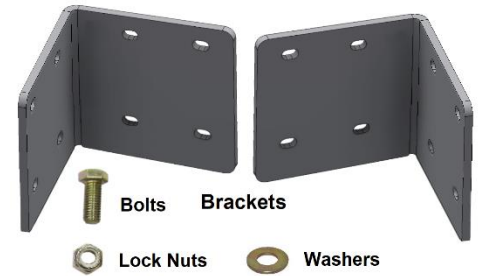
- Steel powder coated
- Requires drilling on box and mounting surface

Part No.	Part Number	Box Series	Bolt Size	Weight Per Set	Load Rating
1.	M3500T	CU41	5/16"	3 lbs.	Bolt-N/A
2.	M3500TT	CU41	5/16"	12 lbs.	Bolt-N/A
3.	M3550RK	Side Boxes	3/8"	14 lbs.	Bolt-N/A
4.	M3590CS-A	Side Boxes	1/4"	2 lbs.	Bolt-N/A
5.	M3590CS-S	Side Boxes	1/4"	3 lbs.	Bolt-N/A



M3550RK

M3590CS



M3800 Series = Top Side Rail Mount Application.

Top side rail mount support brackets are used to support rail mounted boxes under the box in a pickup truck bed or box. All ATB mounting kits are designed and built to keep your boxes safe and secure.

Description

- Steel powder coated
- Requires drilling on box and mounting surface

Part No.	Part Number	Box Series	Height (in.)	Bolt Size	Weight Per Set	Load Rating
1.	M3810P	FT-FU	6-1/2 to 8-1/2	5/16"	3 lbs.	300
2.	M3815P	FT-FU	8 to 12	5/16"	5 lbs.	300
3.	M3820P	DU-SU-TU SG-SR	12 to 24	5/16"	8 lbs.	300



HSS & HSH Series = Steel Swivel Hooks and Hanger.

HSS & HSH series swivel hooks and hanger are heavy duty and are mounted inside box. Hooks can welded or bolted to box, and can be ordered in different size to fit many applications. All ATB hooks are designed and built to keep your tools and equipment safe and organized.

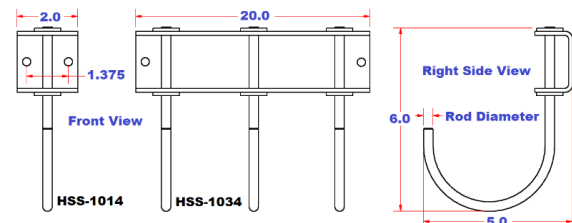
Description

- Steel construction with Powder Coat Finish

Part No.	Part Number	Application	Mounting Bolt Size	Rod Dia.	Weight Lbs.	Load Rating
1.	HSS-1014-B	Side Bolt-On	1/4"	5/16"	.6	35
2.	HSS-1016-B	Side Bolt-On	5/16"	3/8"	.7	55
3.	HSS-1018-B	Side Bolt-On	3/8"	1/2"	1.0	75
4.	HSS-1024-B	Side Bolt-On	5/16"	5/16"	1.3	35
5.	HSS-1034-B	Side Bolt-On	5/16"	5/16"	2.0	35
6.	HSH-1050SW	Side Bolt-On	1/4"	Steel	1.5	55
7.	HSH-1050SS	Side Bolt-On	1/4"	SS	1.5	55



HSH-1050



OT Series = Open Top Trays - Aluminum or Steel.

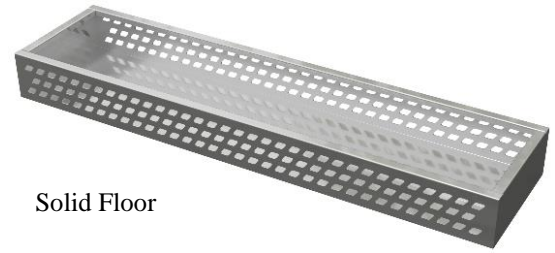
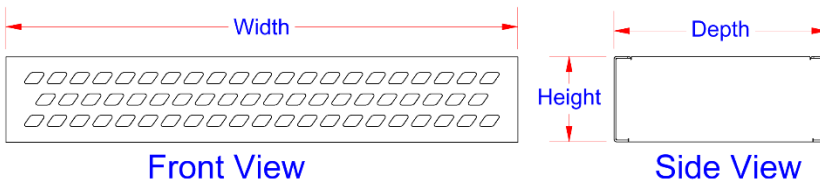
Open top trays are heavy duty and mounted on top of aluminum or steel boxes to store and haul shovels, spades, pipe or other tools. Trays have Tri-Rect drain holes and can be ordered in any size to fit any box. All ATB trays are designed and built to keep your equipment organized.

Description

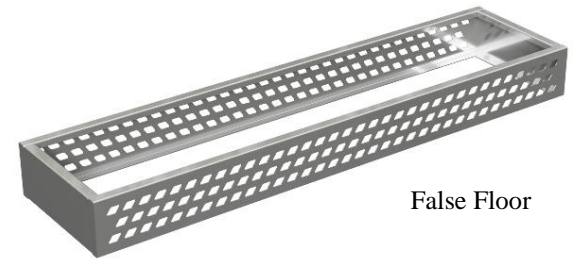
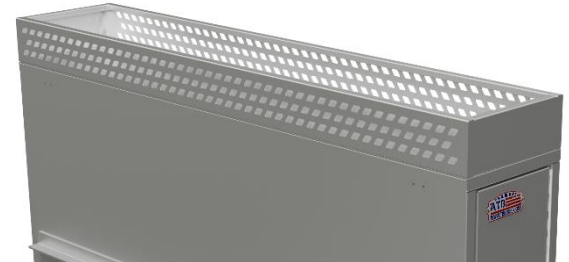
• 10 gauge aluminum construction

• 14 gauge steel construction with Powder Coat Finish

Part No.	Number	Application	Material	Floor	Load Rating
1.	A-OT51-S	Top Bolt-on or Weld-On	1/8" Aluminum (10 Gauge)	Solid	N/A
2.	A-OT51-F	Top Bolt-on or Weld-On	1/8" Aluminum (10 Gauge)	None/False	N/A
3.	S-OT41-S	Top Bolt-on or Weld-On	14 Gauge Steel	Solid	N/A



Solid Floor



False Floor

LV Series = Louvers – Steel or Stainless Steel

LV series louvers are heavy duty and offer a great way for airflow or vent your box. Louvers can be ordered in most any size to fit most openings. All AMERICAN TRUCKBOXES louvers are designed and come with a quality design.

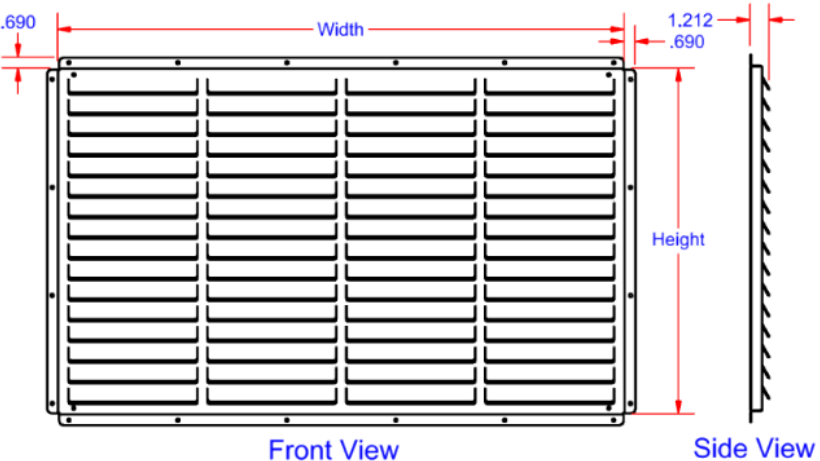
Description

• 16 gauge steel powder coated or stainless steel construction

• Bolt-on or weld-on (3/16" Mounting Holes)

No.	Part Number	Height	Depth	Width	Weight
1.	S-LV3-1212-G	12	1.25	12	4.5
2.	S-LV3-2424-G	24	1.25	24	13.6
3.	S-LV3-2430-G	24	1.25	30	16.5
4.	S-LV3-3024-G	30	1.25	24	16.5
5.	S-LV3-3636-G	36	1.25	36	27.8

Note: Add a S to the beginning of the part number for Stainless Steel



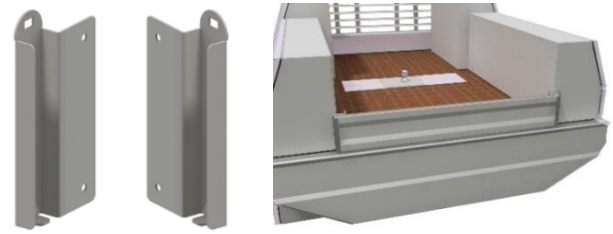
EG Series = End Gate and Side Mount Bracket.

End gate and side mount brackets are used to make an end gate between your boxes on your flat bed. ATB Secure & Trusted Design.

Description

- Stainless steel and/or aluminum
- Requires drilling box or sides
- Optional – custom laser cut your name

No.	Part Number	Tank Series	Bolt Size	Spec.	Weight Lbs.
1.	A-EG61-L-HW	3/16g Aluminum	1/4"	Drop-In	Varies
2.	A-EG62-L-HW	3/16g Aluminum	1/4"	Drop-Open	Varies
3.	SSEGB5-L	10g Stainless Steel	3/8"	Bolt-On	2.0
4.	SSEGB5-R	10g Stainless Steel	3/8"	Bolt-On	2.0
5.	M7000FC	10g Aluminum	1/4"	Bolt-On	6.0



Left - Right



M7000FC



A-EG61



A-EG62

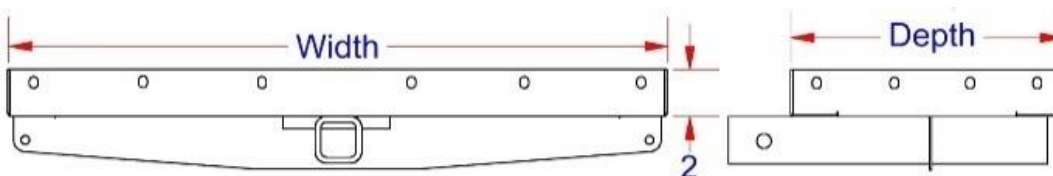
VH Series = Vehicle Hitch Hauler.

VH hitch hauler baskets are used to haul cargo, tool boxes & generator boxes. Custom sizes available. ATB Secure & Trusted Design.

Description

- Steel heavy duty construction – 1/4" T & 10g/7g – Powder Coated Finish

No.	Part Number	Application	Bolt Size	Load Rating	Weight Lbs.
1.	S-VH61-22436-W	2" Hitch Mount	1/2"	500 lbs.	52
2.	S-VH61-23042-W	2" Hitch Mount	1/2"	500 lbs.	66
3.	S-VH71-22436-W	2" Hitch Mount	1/2"	750 lbs.	74
4.	S-VH71-23042-W	2" Hitch Mount	1/2"	750 lbs.	88



TY Series = Steel & Aluminum Trays for Cross & Side Boxes.

Trays are Professional, HD and are installed inside cross, side or chest boxes. Trays offer a great way to store tools, parts or personal belongings. Trays come with adjustable dividers and partitions to organize your tools. All AMERICAN TRUCKBOXES tray are designed and built to keep your tools organized.

Description

• 16 gauge steel powder coated & .090 Aluminum construction

No.	Part Number	Height	Depth	Width	Weight	Load-R
Fits Steel & Aluminum Cross Boxes: LG-HG-HC-MC						
1.	A-TY41-31725-20	3	17	25	10	75
2.	A-TY41-32125-24	3	21	25	12	75
3.	A-TY41-32525-28	3	25	25	14	75



TY41 Tray

Cross Box Tray

Fits Steel & Aluminum Side Boxes: HS & LS

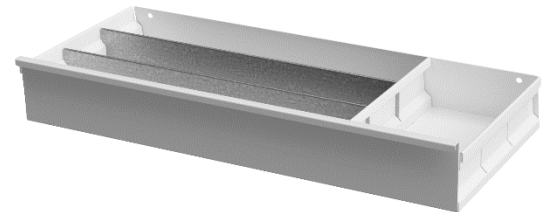
4.	S-TY32-3725-13	3	7	25	8	75
5.	S-TY32-31125-17	3	11	25	10	75

Fits Top Chest Boxes: ATC41, ATC51, STC41 & STC51

6.	S-TY35-3825-18	3	Varies	25	12	100
----	----------------	---	--------	----	----	-----

Fits Top Chest (Offset) Boxes: TC52 & TC42

7.	S-TY36-31225-18	3	Varies	25	9	100
----	-----------------	---	--------	----	---	-----



Side Box Tray

TY32 Tray



TY35 Tray



TY36 Tray

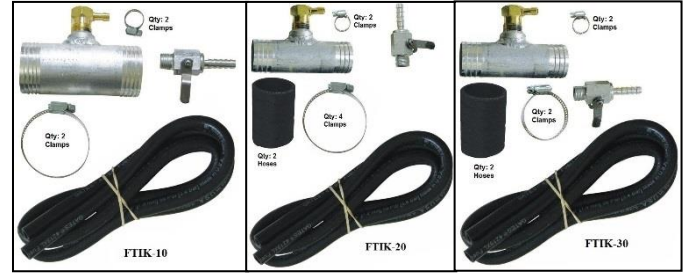
Fuel Tank Accessories

Fuel Accessories and tanks installation kits are designed to connect to your ATB fuel tanks and to truck fuel fill hose. Intended for diesel fuel only.

Description

- Includes - fitting, hoses, and clamps
- Fuel Supply Installation Kits

No.	Part Number	Trucks	Fill Line Size	Weight (lbs.)
1.	FK1-10	Chevy/GMC 2010 & Older Models	2.00	2.0
2.	FK1-20	Ford - Dodge 2012 & Older - Chevy/GMC 2011 & Newer	1-1/2	2.0
3.	FK1-30	Dodge 2013 & Newer Models	1-3/4	2.0



Accessories					
No.	Part Number	Description	Line Size (in.)	Model	Weight (lbs.)
4.	TFC21-AV-A	Aluminum Fuel Filler Cap Assembly	2.0"	N/A	N/A
5.	FN20-02-SS	Nipple Stainless Steel 2" x 2"	2.0"	N/A	N/A
6.	TPG-15-12-AA	Fuel Gear Pump 15 GPM 12-Volt -Auto	1.0"	M-150S-AU	26
7.	TPG-18-12-AA	Fuel Gear Pump 18 GPM 12-Volt -Auto	1.0"	M-180S-AU	28
8.	TPG-25-12-AA	Fuel Gear Pump 25 GPM 12-Volt -Auto	1.0"	V25-012AD	54
9.	TMF-30-10-A	GPI Fuel Flow Meter 3-30 GPM	1.0 NPT	113255-1	N/A
10.	FSN10-04-ZA	Swivel 360 deg. for Fuel Pump Nozzle	1.0 NPT	ATB	N/A
11.	TRV04-3M-BR	Rollover Valve Assembly	3/8" NPT		N/A
12.	TRV05-3M-BR	Rollover Valve Assembly	1/2" NPT		N/A



TGLS Series = Tank Level Gauges.

Description

- Designed for top mounting
- Easy to read fractional side dial gauge
- Gauges full depth of tank

No.	Part Number	Description	Line Size (in.)	Model	Weight (lbs.)
1.	TGLS-15-P18	Spiral Level Gauge-18" Tank Height	1.5 NPT	ATB	N/A
2.	TGLS-15-P20	Spiral Level Gauge-20" Tank Height	1.5 NPT	ATB	N/A
3.	TGLS-15-P24	Spiral Level Gauge-24" Tank Height	1.5 NPT	ATB	N/A
4.	TGLS-15-P26	Spiral Level Gauge-26" Tank Height	1.5 NPT	ATB	N/A



M3700 Series = Tank Mount Application.

Tank mount brackets are used to mount tanks to pickup truck bed or trailer. All ATB mounting kits are designed and built to keep your tanks safe and secure.

Description

- Steel coated and stainless-steel springs
- Requires drilling deck or floor

No.	Part Number	Tank Series	Bolt Size	Spring	Tank Gallons
1.	M3712-TMK	Small Tanks	3/8"	Top	1 to 60
2.	M3715-TMK	Large Tanks	1/2"	Top	61 to 250



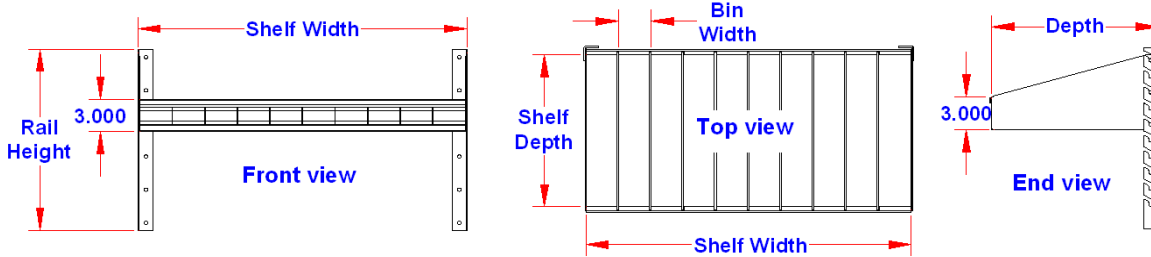
S-U1 Series = Steel Shelf with Dividers

SU1 series shelves are heavy duty and mounted inside box to store and organize your tools or parts. Shelves are adjustable up and down and the divider are removable. Shelves can be ordered in any size to fit any box. All ATB shelf kits are designed and built to keep your tools organized.

Description

• 16 & 18 gauge steel construction and powder coated finish

No.	Part Number	Application	Bolt Size	Weight Specs	Load Rating
1.	SU1	Rack Bolt-In	5/16"	N/A	Varies



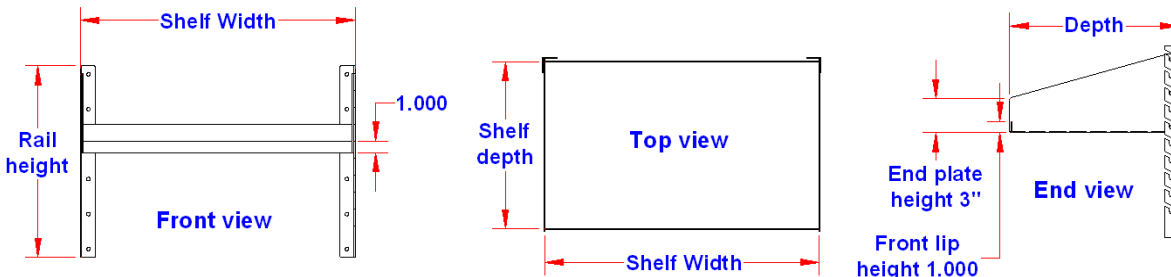
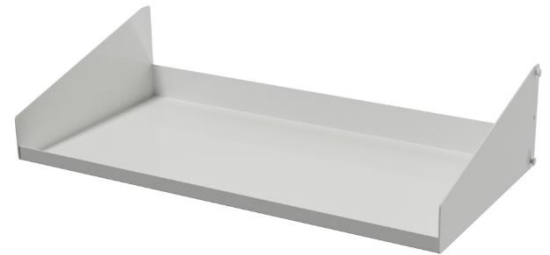
S-F2 Series = Steel Shelf

SF2 series shelves are heavy duty and mounted inside box to store and organize your tools or parts. Shelves can be ordered in any size to fit any box. All ATB shelf kits are designed and built to keep your tools organized.

Description

• 14 gauge steel construction and powder coated finish

No.	Part Number	Application	Bolt Size	Weight Per Set	Load Rating
1.	SF2	Rack Bolt-In	5/16"	N/A	Varies



Steel Tool Organizers

TO series tool organizers are heavy duty and are inserted inside tool box to store and organize your tools. Tool organizers are removable. Tool organizers can be ordered in different size to fit most boxes. All ATB tool organizers are designed and built to keep your tools organized.



WO51 Series



DO52 Series

Description

- 18 gauge steel construction and powder coated finish
- Optional rubber floor pads (use MTOP-1)

No.	Part Number	Application	Wrench Set	Height (in.)	Depth (in.)	Width (in.)
Wrench Holders						
1.	S-WO51-2114-10R	Wrench Hanger	3/8 – 1	1-3/4	1-1/16	16-1/2
2.	S-WO51-2118-14R	Wrench Hanger	3/8 – 1-1/4	1-3/4	1-1/16	18-1/2
Screw Driver Holders						
3.	A-DO52-3416-20SR	Screwdriver Holder	20 Holes	3	4	16
4.	A-DO52-3420-24SR	Screwdriver Holder	24 Holes	3	4	20
5.	A-DO52-3424-28SR	Screwdriver Holder	28 Holes	3	4	24

TO Series = Steel Tool Organizers.

TO series tool organizers are heavy duty and are inserted inside tool box to store and organize your tools. Tool organizers are removable. Tool organizers can be ordered in different size to fit most boxes. All ATB tool organizers are designed and built to keep your tools organized.

Description

- 18 gauge steel construction and powder coated finish
- Optional rubber floor pads (use MTOP-1)

No.	Part Number	Application	Wrench Set	Drawer - Shelf	Height (in.)	Depth (in.)	Width (in.)
1.	MTOP-1	Rubber Bumper Pads	6-Pads	-	-	-	-
2.	S-TO31-141620-R	Fixed Tool Organizer	3/8 – 15/16	N/A	14	16	20
3.	S-TO31-141626-R	Fixed Tool Organizer	3/8 – 15/16	N/A	14	16	26
4.	S-TO31-162120-R	Fixed Tool Organizer	3/8 – 1-1/6	N/A	16	21	20
5.	S-TO32-101420-R1	Drawer Tool Organizer	1/4 - 1-1/4	1-1	9.5	14	20
6.	S-TO32-141620-R2	Drawer Tool Organizer	1/4 - 1-1/4	2-1	14	16	20
7.	S-TO32-141626-R2	Drawer Tool Organizer	1/4 - 1-1/4	2-1	14	16	26

MTOP-1



Fits: SDU Boxes 28”H x 20”D
Or Boxes 18” Height x 20”



S-TO32-101420-R1



S-TO31-141620-R



S-TO31-141626-R

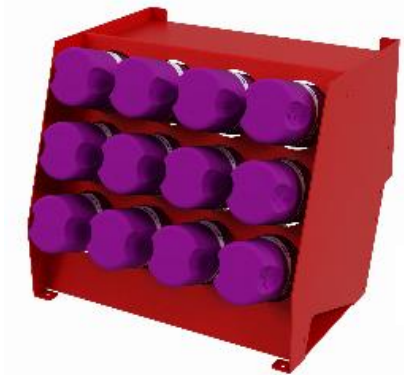
CO Series = Steel Spray Can Organizers.

SO series organizers are heavy duty and are inserted inside tool box to store and organize your spray cans. Organizers are removable. Organizers can be ordered in different size to fit most boxes. All ATB tool organizers are designed and built to keep your tools organized.

Description

- 18 gauge steel construction and powder coated finish
- Optional rubber floor pads (use MTOP-1)

No.	Part Number	Application	Can (Qty)	Shelf	Height (in.)	Depth (in.)	Width (in.)
1.	S-CO31-91114-R8	Can Holder Organizer	8	1	9	11	14
2.	S-CO31-121114-R12	Can Holder Organizer	12	1	12	11	14



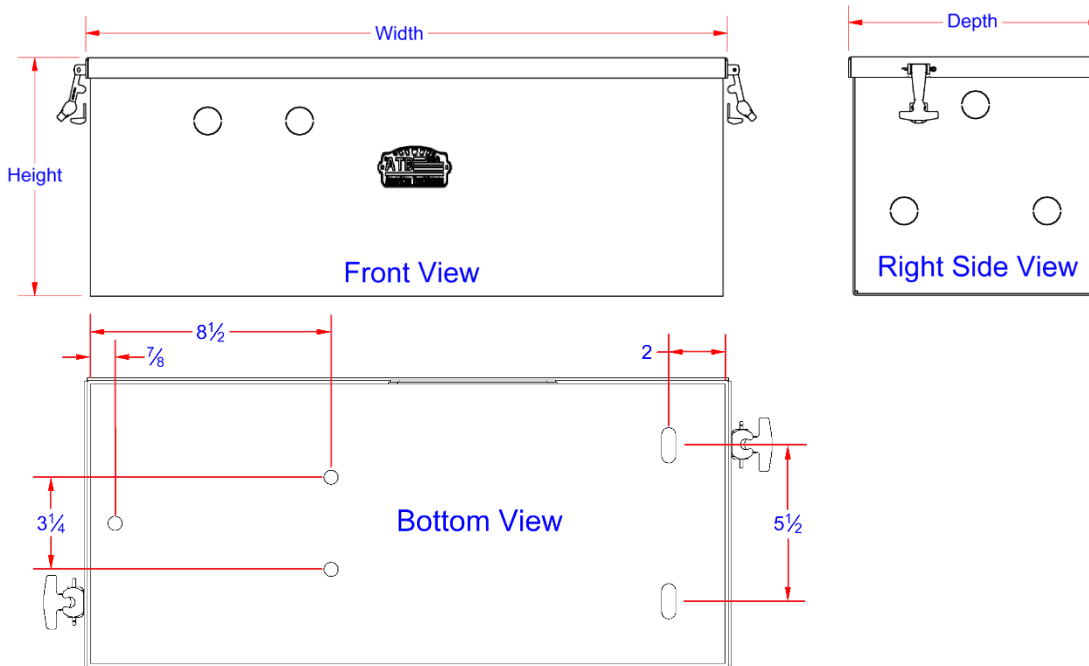
S-CO31-121114-R12

PX – Pump Box – Aluminum or Steel - Single Top Open Lid

Pump Box boxes are heavy duty, high capacity and offer easy access to your equipment. Boxes can be mounted on truck frame, trailer or many other applications. These boxes are perfect for installing a pump and reservoir. Pump Box boxes are available in different sizes, and can be ordered custom size. All AMERICAN TRUCKBOXES boxes are designed and built to keep your equipment safe and secure.

Description

- An engineered aluminum or steel construction
- Fully seam welded on all seams and corners
- Brite Pro-Shield® Powder Coat finish ensures years dependability
- Rubber latch with pull type action
- Mounting kit included – M3210PX



No.	Model Number	Material	Height (in.)	Depth (in.)	Width (in.)	Body Depth (in.)	Body Width (in.)	Lid Opening Depth (in.)	Lid Opening Width (in.)	Weight (lb.)
1.	A-PX41-121227-S	.090 Smooth	12.5	12	27.5	12	27	11-13/16	26-13/16	13
2.	A-PX41-121231-S	.090 Smooth	12.5	12	31.5	12	31	11-13/16	30-13/16	15
3.	A-PX51-121227-S	.125 Smooth	12.5	12	27.5	12	27	11-3/4	26-3/4	14
4.	A-PX51-121231-S	.125 Smooth	12.5	12	31.5	12	31	11-3/4	30-3/4	17
5.	S-PX31-121227-B	16 Gauge Steel	12.5	12	27.5	12	27	11-13/16	26-13/16	22
6.	S-PX31-121231-B	16 Gauge Steel	12.5	12	31.5	12	31	11-13/16	30-13/16	26
7.	S-PX41-121227-B	14 Gauge Steel	12.5	12	27.5	12	27	11-3/4	26-3/4	26
8.	S-PX41-121231-B	14 Gauge Steel	12.5	12	31.5	12	31	11-3/4	30-3/4	30

Note: *Boxes are available in: Black (B) and White (W) Finish – add after part number.

LED Light

LED Lights – Side and Clearance Markers

Description

LED Lights

No.	Part Number	Color	Description	Shape	Dimension (in)	Rating
1.	TAL75RR-R	Red	Domed - Side Marker & Clearance	Round/Domed	¾" Round	PC Rated-180 Deg
2.	TAL75AA-R	Amber	Domed - Side Marker & Clearance	Round/Domed	¾" Round	PC Rated-180 Deg
3.	TAL75AC-R	Amber/Clear	Domed - Side Marker & Clearance	Round-Domed	¾" Round	PC Rated-180 Deg
4.	TAL75CC-F	Clear	Side Marker & Clearance	Round/Flat	¾" Round	P2 Rated-45 Deg
5.	TAL75AC-F	Amber/Clear	Side Marker & Clearance	Round/Flat	¾" Round	P2 Rated-45 Deg
6.	TAL20RR-F	Red	Side Marker & Clearance	Round/Flat	2" Round	N/A
7.	TAL20AA-F	Amber	Side Marker & Clearance	Round/Flat	2" Round	N/A
8.	TAL25RR-F	Red	Side Marker & Clearance	Round/Flat	2-1/2" Round	N/A
9.	TAL25AA-F	Amber	Side Marker & Clearance	Round/Flat	2-1/2" Round	N/A
10.	TAL40RR-F	Red	Rear Marker - Stop/Tail/Turn	Round/Flat	4" Round	N/A
11.	TAL40AA-F	Amber	Rear Marker - Stop/Tail/Turn	Round/Flat	4" Round	N/A
12.	TAL40CC-F	Clear	Rear Marker & Light	Round-Flat	4" Round	N/A
13.	TAL62RR-F	Red	Rear Marker - Stop/Tail/Turn	Oval/Flat	6"x 2" Oval	N/A
14.	TAL62CC-F	Clear	Rear Marker, Light & Backup	Oval/Flat	6"x 2" Oval	N/A
Grommets & Pigtaills						
15.	TAG20-B	Black	Rubber Grommet	Round	2" Round	N/A
16.	TAG25-B	Black	Rubber Grommet	Round	2.5" Round	N/A
17.	TAG40-B	Black	Rubber Grommet	Round	4" Round	N/A
18.	TAG62-B	Black	Rubber Grommet	Round	6"x 2" Oval	N/A
19.	TAP15-2	Black	Pigtail 2-Prong - 6" Pigtail	N/A	6"	N/A
20.	TAP15-3	Black	Pigtail 3-Prong 90 Deg.- 12" Pigtail	N/A	12"	N/A



TAL75AA-R



TAL25RR-R



TAL40AA-R

TAL62RR-FR



TAG40-B

TAG62-B

LED Work Clear Flood Lights

No.	Part Number	Color	Description	Shape	Dimension HxDxW (in)	Rating/Lumens
21.	TALW-CF-2	Clear	Steel Head Work Flood Lamps	Rect./Flat	3 x 2 x 6.2	IP68/750
22.	TALW-CF-4	Clear	Steel Head Work Flood Lamps	Rect./Flat	4 x 2 x 3	IP68/1100
23.	TALW-CF-6	Clear	Steel Head Work Flood Lamps	Rect./Flat	3.1 x 2 x 6.2	IP68/1900



LED Work Clear Area Lights

No.	Part Number	Color	Description	Shape	Dimension HxDxW (in)	Rating/Lumens
24.	TALA-CL-1	Clear-Cool	Poly Area Work Lamps - 180°	Rect./Round	1x2.75x4.5	N/A/800
25.	TALA-CL-2	Clear-Cool	Steel Area Work Lamps - 180°	Rect./Round	1.4x2.75x13	IP68/750
26.	TALA-CL-4	Clear-Cool	Steel Area Work Lamps - 180°	Rect./Round	1.4x2.75x20	IP68/1500
27.	TALA-CL-6	Clear-Cool	Steel Area Work Lamps - 180°	Rect./Round	1.4x2.75x35	IP68/3000



TALA-CL-1

Parts

Tool Box Parts

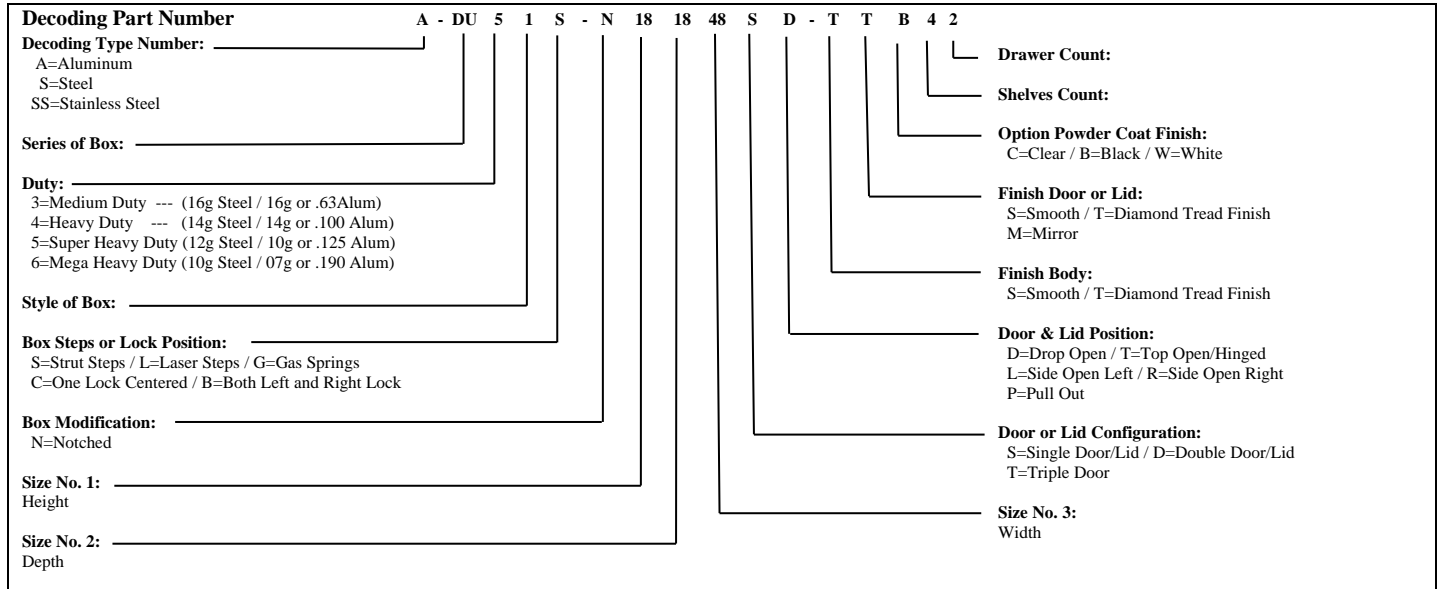
Description

Parts

Part Number	Description	Mounting Holes (in)	Weight
Locks			
1A050	T-Handle - Fixed	3/16	N/A
1A060-DT	T-Handle (Dolphin Tail) - Adjustable	3/16	N/A
T-Handles			
1A010-50-SS	Handle – Surface Stainless Steel	1/4	N/A
1A291	Handle – Surface Mount Chest Handle	1/4	N/A
1A086-861-SS	Tie Down Stainless Steel	1/4	N/A
Weather Seal			
1A831	Weather Seal Push-On	3/4	N/A
1A120	Weather Seal Glue-On	5/8	N/A
Gas Spring			
1A140-30	Gas Spring 12” Length	5/16	N/A
1A140-60	Gas Spring 12” Length	5/16	N/A
1A140-90	Gas Spring 12” Length	5/16	N/A
1A140-120	Gas Spring 12” Length	5/16	N/A



Part Number Guide:



Special Notice: This manual contains drawings and written material, which are for the sole purpose of mounting and providing guidelines for installing our boxes and/or equipment in various configurations. Keep in mind that these are only intended as guidelines and not to be construed as construction drawings or specifications.

America Truckboxes, LLC shall not be responsible in any way for anything other than the providing of equipment and materials ordered. Guidelines shown in this manual may not meet or be in accordance with local, state, or federal regulations in effect at time of installation. American Truckboxes, LLC has the right to make changes in design at any time without notice.

Office Hours: Monday through Friday - 8:00am to 12:00am and 1:00pm to 5:00pm

American Truckboxes, LLC. 15750 - 6th Street SE, Blanchard, ND 58009

Phone: (888) 996-0376 **Email:** sales@truckbox.com

For installation guidelines, visit our web page at: www.truckbox.com and download our installation manual.

AMERICAN TRUCKBOXES, LLC. - LIMITED WARRANTY - 2024

This LIMITED WARRANTY is made by American Truckboxes, LLC, 15750 - 6th Street SE, Blanchard, North Dakota 58009 to the original retail purchaser of American Truckboxes, LLC products. If you have any questions or need assistance regarding this warranty and the warranty of your product, please call our customer service department at: (888) 996-0376, between the hours 8:00AM to 5:00PM CST. This warranty applies to all product purchased on or after January 1, 2019.

AMERICAN TRUCKBOXES, LLC WARRANTS THAT THIS PRODUCT WILL BE FREE FROM DEFECTS IN MATERIAL AND WORKMANSHIP FOR A PERIOD OF SIXTY (60) MONTHS ON STANDARD BOXES, TWELVE (12) MONTHS ON CUSTOM BOXES (MODIFIED OR SPECIAL DESIGN TO CUSTOMER SPECIFICATIONS) AND TWELVE (12) MONTHS ON AUXILIARY TANKS, FROM DATE OF PURCHASE BY THE ORIGINAL RETAIL PURCHASER ONLY. THIS WARRANTY TERMINATES IF THE ORIGINAL PURCHASER TRANSFERS THE AMERICAN TRUCKBOXES, LLC PRODUCT TO ANY OTHER PERSON.

If purchaser discovers that the product fails to fulfill the warranty before the warranty period, original purchaser must promptly contact American Truckboxes, LLC in writing of the nonconformity, to make arrangement for an inspection of this product. A copy of the original sales receipt must be supplied to the manufacturer at the time a warranty claim is made. If American Truckboxes, LLC determines a defect exists, American Truckboxes, LLC shall, at its option and expense, repair or replace any defective parts. All warranty repairs shall be made by an authorized American Truckboxes, LLC product dealer or American Truckboxes LLC approved service man. Any part or parts of the goods not manufactured by American Truckboxes LLC are not warranted for any purpose.

This warranty shall not apply or expressly exclude, if the American Truckboxes, LLC product has been subject to an accident, normal wear and tear, cosmetic rust, scratches, unlawful vehicle operation, act of God, improper maintenance, misuse or alteration made by anyone other than American Truckboxes, LLC or a product dealer of American Truckboxes, LLC approved service personal or company. Defects resulting from conditions beyond the manufacturer control, but not limited to, overloading, misuse or failure to assemble or mount the product according to the manufacturer's installation guideline, written instructions or damage to the contents of the box or vehicle.

Purchaser must deliver written notice of any claimed defect or failure covered by this Limited Warranty within thirty (30) days after discovery. Such notice must specify the date of purchase as well as the nature of the defect or failure.

THE WARRANTY PRINTED ABOVE IS THE ONLY WARRANTY TO THIS PURCHASE. ALL OTHER WARRANTIES, EXPRESS OR IMPLIED, INCLUDING BUT NOT LIMITED TO THE IMPLIED WARRANTIES OF MERCHANTABILITY AND FITNESS FOR A PARTICULAR PURPOSE ARE HEREBY DISCLAIMED.

American Made Products

Advantages & Benefits

Why Choose American Truckboxes?

American Truckboxes is a USA Manufacturer that specialize in manufacturing heavy duty truck storage equipment or tool boxes for the truck and trailer industry for over 25 Years.

We use only the highest quality material, parts and heavy gauge steel or aluminum. **All our steel boxes are primed and top coated with zinc epoxy primer and a super durable baked topcoat powder coat finish.**

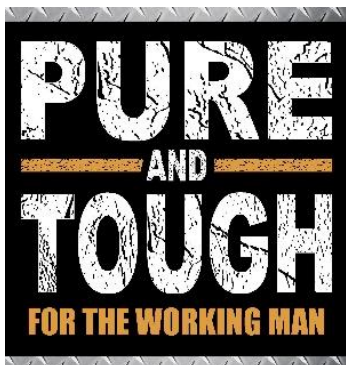
Our primary focus is using heavy-duty stainless-steel hinges, lid supports, heavy duty dual gas springs, easy workable dividers, shelves, trays, automotive weather stripping, superior anti-theft designs and lock systems designed to withstand severe weather conditions and much, much more.

Is an American Truckboxes Box Right For Me?

American Truckboxes boxes are available in many sizes, appropriate for any size truck or vehicle. They may be installed on either new or pre-owned trucks. We know your truck, tools and equipment is everything to you, so we design our products based on what we hear back from you. Your knowledgeable American Truckboxes dealer or representative can help select, the best box that is best for you.

Do I get a warranty with this product?

All products come with a limited warranty for defects in material and workmanship (see www.truckbox.com for full warranty detail). American Truckboxes, LLC. is dedicated to continuous product research, development and reserves the right to change design and specifications without notice.



WWW.TRUCKBOX.COM