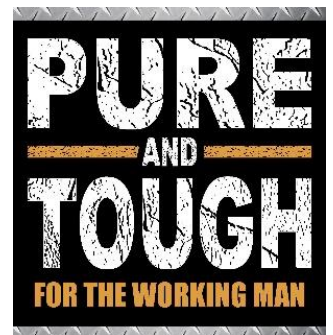




American Truckboxes

Quality Built Enclosures

Electrical Enclosures & HVAC Catalog



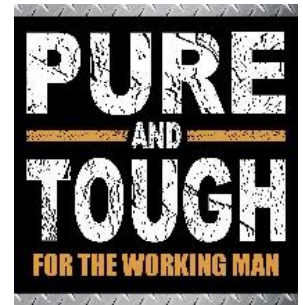
WWW.TRUCKBOX.COM

American Truckboxes, LLC is an innovative designer of storage products for the transportation and service industries manufacturing steel, stainless steel, and aluminum products.

American Truckboxes, LLC.

American Truckboxes, LLC is your *One-Stop* source for industrial commercial toolboxes and has the most extensive range of storage products in the United States. With such a diverse range of products, outstanding designs, and engineering staff, American Truckboxes, LLC can design and manufacture storage products for almost any requirement.

While the primary focus of products is for the work truck industry, American Truckboxes, LLC also designs and manufactures many specialty and customized products. Call us with your idea and we will help you design a solution. We use 3D Autodesk Inventor to design all the products we manufacture.



Introduction:

The purpose of this manual is to familiarize you with our company and our products. You will be able to use this manual to help you select the right product for the right job.

Our Mission:

To Be The Best Box Manufacturing Company In The Industry Today, Not The Biggest.

To furnish quality equipment, to those who will benefit from it at a competitive price. To provide follow-up service better than any other supplier. To be so good at what we do that you will never have a need to look elsewhere.



New: Dolphin Tail Latch with Roller

Index Page

No.	Model	Contents	Page	No.	Model	Contents	Page
Boxes for the Electrical Service Contractor							
1.	ER	Electric Racks	3	4.	ATB	Special Notice & Company Info	7
2.	EC	Electric Enclosure Cabinets	4-5	5.	WA	Warranty	7
3.	ET	Electric Troughs	6	6.			

For Installation Guidelines and recommendation, visit our web page at: www.truckbox.com and download our installation manual.

ER – Electronic Racks – Steel

Electronic racks are heavy duty and offer a great way to rack mount your electronic rack mountable controllers and keep them safe. Electronic racks can be used indoors or outdoors. Racks are available in different sizes and can be ordered custom size. All AMERICAN TRUCKBOXES Racks are designed and built to a quality you respect.

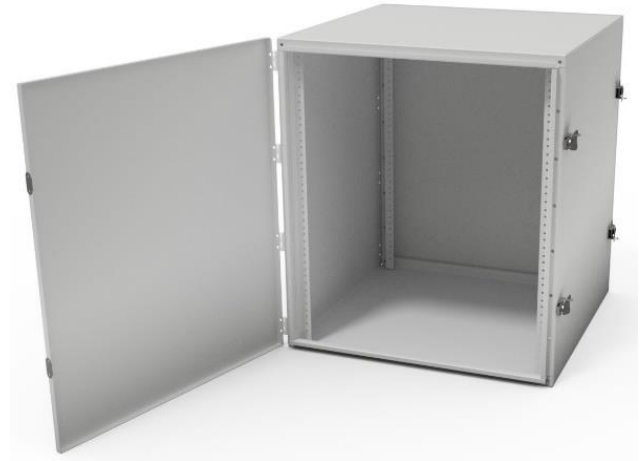
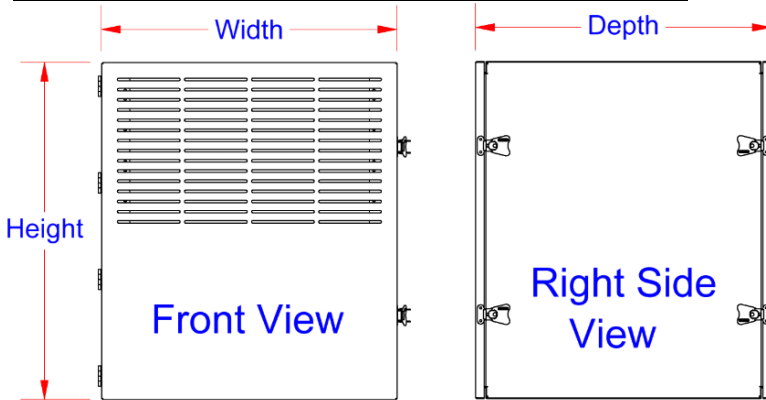
Description

- An engineered steel construction
- Fully seam welded on all seams and corners
- 18.5" standard rack mount
- Stainless steel twist pull latch
- Stainless steel hinges
- Automotive type weather seal
- Optional louvered doors
- Zinc epoxy primer with MR Powder baked topcoat finish
- Mounting kit not included



1A085-A-SS

Door with Louvers



Door with Vent Holes



No.	Model Number	Material (gauge)	Height (in.)	Length (in.)	Width (in.)	Dim. "A" (in.)	Door Opening Height (in.)	Rack Space Opening (in.)	Weight (lb.)
1.	S-ER31A-252222SL-G	16g	25	22	22		23-1/4	23-1/4	63
2.	S-ER31A-302222SL-G	16g	30	22	22		28-1/4	28-1/4	72
3.	S-ER31A-362222SL-G	16g	36	22	22		34-1/4	34-1/4	82
4.	S-ER31A-422222SL-G	16g	42	22	22		40-1/4	40-1/4	93
5.	S-ER31A-482222SL-G	16g	48	22	22		46-1/4	46-1/4	103
6.	S-ER31A-602222SL-G	16g	60	22	22		58-1/4	58-1/4	123
7.	S-ER31A-722222SL-G	16g	72	22	22		70-1/4	70-1/4	144

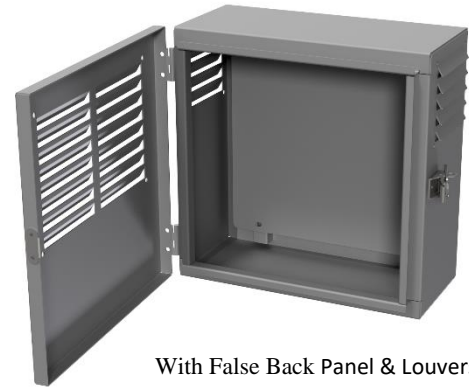
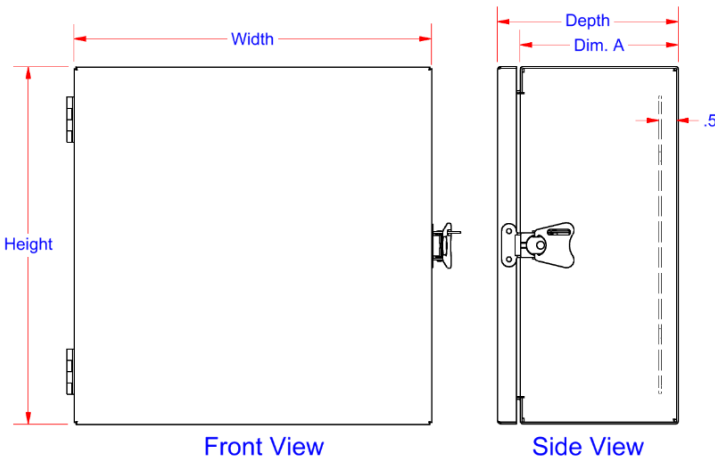
Note: Racks are available in different configuration and custom sizes; call the factory for different sizes and options. Add a L to part number (SER31L) for louvers on doors or a H for Vent holes only.

EC – Electrical Enclosure Cabinets – Aluminum, Steel or Stainless Steel

Electrical cabinets are heavy duty, high capacity and offer easy access to your electrical equipment and components. Cabinets can be mounted on walls or any horizontal flat surface. Electrical boxes are available in different sizes, and can be ordered custom size. All AMERICAN TRUCKBOXES boxes are designed and built to keep your equipment safe and secure.

Description

- An engineered aluminum, steel or stainless steel construction
- Zinc epoxy primer with MR Powder baked topcoat finish
- Fully seam welded on all seams and corners
- Stainless steel hinges
- Optional channel braced reinforced door
- Optional mounting bracket and air vents
- Stainless steel latch
- Internal optional mounted false back panel
- Rain gutter and automotive type weather seal
- Mounting kit included or optional
- Can be ordered in custom size with custom cutouts
- Listing pending



Note: Boxes are available in gray (standard), black and white, add “g” for gray, “b” for black and “w” for white after part number.

No.	Model Number	Material	Height (in.)	Depth (in.)	Width (in.)	Dim. “A” (in.)	Door Opening Height (in.)	Door Opening Width (in.)	Weight (lb.)
1.	A-EC31A-12612S-S	.060 Smooth	12	6	12	5-1/4	10-1/8	10-1/8	4
2.	A-EC31A-14614S-S	.060 Smooth	14	6	14	5-1/4	12-1/8	12-1/8	5
3.	A-EC31A-16816S-S	.060 Smooth	16	8	16	7-1/4	14-1/8	14-1/8	6
4.	A-EC31A-181018S-S	.060 Smooth	18	10	18	9-1/4	16-1/8	16-1/8	9
5.	A-EC31A-201220S-S	.060 Smooth	20	12	20	11-1/4	18-1/8	18-1/8	12
6.	A-EC31A-241224S-S	.060 Smooth	24	12	24	11-1/4	22-1/8	22-1/8	15
7.	S-EC31A-12612S-G	16 Gauge Steel	12	6	12	5-1/4	10-1/8	10-1/8	8
8.	S-EC31A-14614S-G	16 Gauge Steel	14	6	14	5-1/4	12-1/8	12-1/8	10
9.	S-EC31A-16816S-G	16 Gauge Steel	16	8	16	7-1/4	14-1/8	14-1/8	12
10.	S-EC31A-181018S-G	16 Gauge Steel	18	10	18	9-1/4	16-1/8	16-1/8	19
11.	S-EC31A-201220S-G	16 Gauge Steel	20	12	20	11-1/4	18-1/8	18-1/8	25
12.	S-EC31A-241224S-G	16 Gauge Steel	24	12	24	11-1/4	22-1/8	22-1/8	31

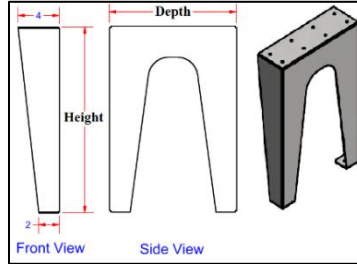
Note: Add a S to the beginning of the part number for Stainless Steel

EC – Electrical Enclosure Cabinets – Aluminum, Steel or Stainless Steel

Electrical cabinets are heavy duty, high capacity and offer easy access to your electrical equipment and components. Cabinets can be mounted on walls or any horizontal flat surface. Electrical boxes are available in different sizes, and can be ordered custom size. All AMERICAN TRUCKBOXES boxes are designed and built to keep your equipment safe and secure.

Description

- An engineered aluminum, steel or stainless steel construction
- Zinc epoxy primer with MR Powder baked topcoat finish
- Fully seam welded on all seams and corners
- Stainless steel continuous hinge full length of door
- Optional channel braced reinforced door
- Optional mounting bracket and air vents
- Optional base mounting stands ECB Series
- Lockable stainless steel adjustable T-handle latch
- Internal mounted false back panel
- Rain gutter and automotive type weather seal
- Mounting kit included
- Can be ordered in custom size with custom cutouts
- Listing pending

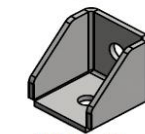


ECB Bottom Stands

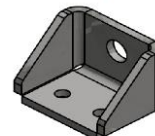


Shown with Optional:
External Air Vent

Mounting Bracket



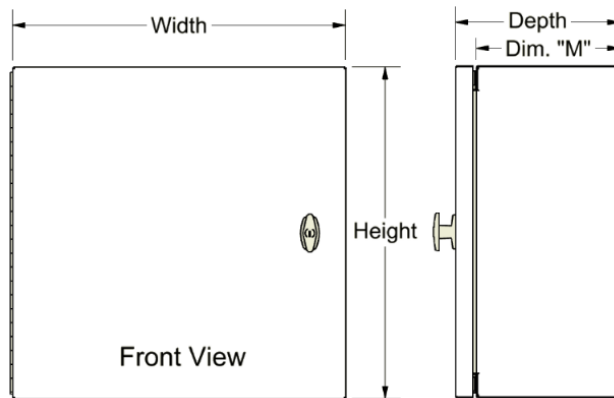
CWM100-50



CWM100-60



1A052-D-SS - 1A052-E-DB - 1A052-F-DB
“Latches Available”



Note: Boxes are available in: Gray (G) (standard), Black (B) and White (W) - add after part number.

No.	Model Number	Material	Height (in.)	Depth (in.)	Width (in.)	Dim. "A" (in.)	Door Opening Height (in.)	Door Opening Width (in.)	Weight (lb.)
1.	A-EC41B-D-241224S-S	.090 Smooth	24	12	24	10-1/4	20-3/8	20-3/8	29
2.	A-EC41B-D-301230S-S	.090 Smooth	30	12	30	10-1/4	26-3/8	26-3/8	40
3.	A-EC41B-D-361236S-S	.090 Smooth	36	12	36	10-1/4	32-3/8	32-3/8	55
4.	A-EC41B-D-421242S-S	.090 Smooth	42	12	42	10-1/4	38-3/8	38-3/8	71
5.	A-EC41B-D-481248S-S	.090 Smooth	48	12	48	10-1/4	44-3/8	44-3/8	89
6.	S-EC41B-D-241224S-G	14 Gauge Steel	24	12	24	10-1/4	20-3/8	20-3/8	70
7.	S-EC41B-D-301230S-G	14 Gauge Steel	30	12	30	10-1/4	26-3/8	26-3/8	99
8.	S-EC41B-D-361236S-G	14 Gauge Steel	36	12	36	10-1/4	32-3/8	32-3/8	133
9.	S-EC41B-D-421242S-G	14 Gauge Steel	42	12	42	10-1/4	38-3/8	38-3/8	173
10.	S-EC41B-D-481248S-G	14 Gauge Steel	48	12	48	10-1/4	44-3/8	44-3/8	215
11.	S-EC41B-D-601260DD-G	14 Gauge Steel	60	12	60	10-1/4	56-3/8	2=26-5/8	330

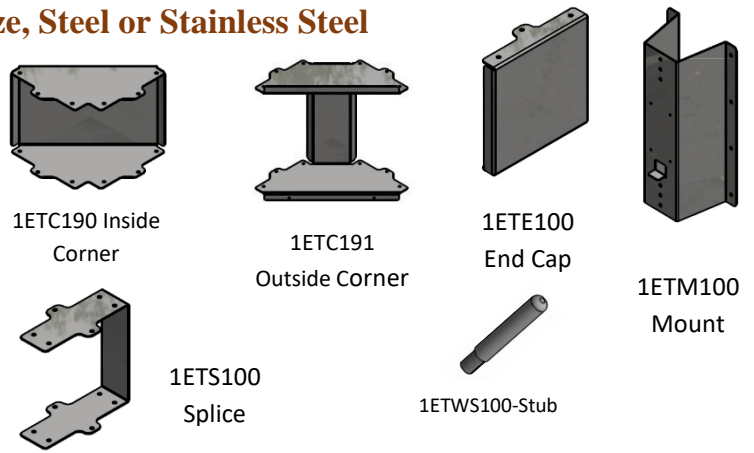
Note: Add a S to the beginning of the part number for Stainless Steel

ET – Electrical Trough Tray Sections – Galvanize, Steel or Stainless Steel

Electric trough system are heavy duty and offer easy access to your electric wires. Trough system can be mounted on a wall, hung from ceiling or any horizontal flat surface. Electrical troughs are available in different sizes, and can be ordered custom size. All AMERICAN TRUCKBOXES troughs are designed and built to keep your wires organized and secure.

Description

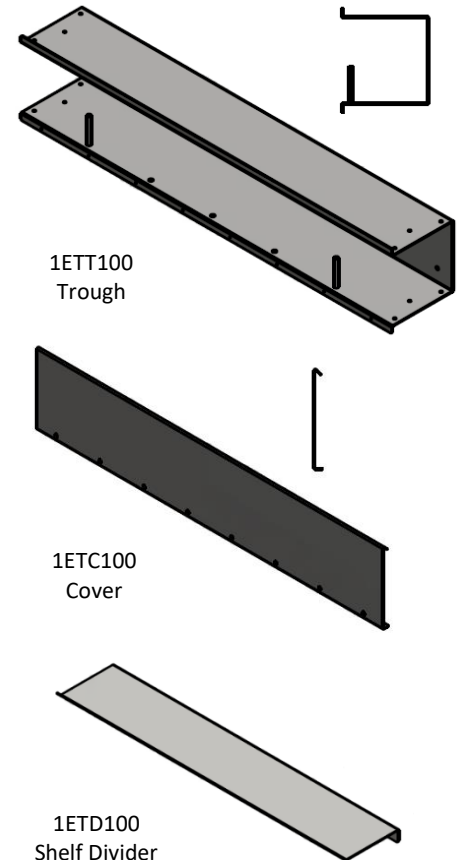
- An engineered galvanized, steel or stainless steel construction
- Zinc epoxy primer with MR Powder baked topcoat finish
- Can be mounted directly to wall or with optional bracket
- Optional wall mounting brackets to elevate trough from wall
- Optional inside shelf horizontal divider
- Top hung cover for easy closure
- Stubs bolted in trough to keep wires inside – 1ETWS100-2
- Can be ordered in custom sizes.
- Listing pending – For indoor use only



Part Number Chart Guide													
No.	Model Number	Desc.	Height (in.)	Depth (in.)	Width (in.)	Material	No.	Model Number	Desc.	Height (in.)	Depth (in.)	Width (in.)	Material
1.	1ETC190 (- HD - *)	Corner-Inside	4" thru 24"	4" thru 12"	4" thru 14"	.14g	5.	1ETD100 (- D - * - W)	Shelf	N/A	3" thru 11"	12" thru 144"	14g
2.	1ETE191 (- HD - *)	Corner-Outside	4" thru 24"	4" thru 12"	4" thru 14"	.14g	6.	1ETC100 (- H - *)	Cover	4" thru 24"	N/A	12" thru 144"	14g
3.	1ETE100 (- HD - *)	End Cap	4" thru 24"	N/A	4" thru 14"	.14g	7.	1ETT100 (- HD - * - W)	Trough	4" thru 24"	4" thru 12"	12" thru 144"	14g
4.	1ETS100 (- HD - *)	Splice	4" thru 24"	4" thru 12"	N/A	14g	8.	1ETM100 (- H - *)	Mount	4" thru 24"	N/A	N/A	14g

Model Number Notes: H = Height and D = Depth and W = Width * G=Galvanized Steel, SG=Steel Powder Coated Gray (Color) or SS=Stainless Steel

No.	Model Number	Description	Height (in.)	Depth (in.)	Width (in.)	Material	Weight (lbs.)
1.	1ETC190-44-G	Corner Inside	4"	4"	4"	.14g	2.3
2.	1ETC191-44-G	Corner Outside	4"	4"	4"	.14g	2.4
3.	1ETE100-44-G	End Cap	4"	N/A	4"	.14g	0.8
4.	1ETS100-44-G	Splice	4"	6"	N/A	14g	0.5
5.	1ETD100-4-G-22	Shelf	N/A	3"	22"	14g	2.5
6.	1ETC100-4-G-120	Cover	4"	N/A	120"	14g	17.2
7.	1ETT100-44-G-120	Trough	4"	4"	120"	14g	36.0
8.	1ETM100-4-G	Mount	4"	N/A	N/A	14g	2.8
9.	1ETC190-66-G	Corner Inside	6"	6"	6"	.14g	3.6
10.	1ETC191-66-G	Corner Outside	6"	6"	6"	.14g	3.0
11.	1ETE100-66-G	End Cap	6"	N/A	6"	.14g	1.3
12.	1ETS100-66-G	Splice	6"	6"	N/A	14g	0.8
13.	1ETD100-6-G-22	Shelf	N/A	5"	22"	14g	3.6
14.	1ETC100-6-G-120	Cover	6"	N/A	120"	14g	24.0
15.	1ETT100-66-G-120	Trough	6"	6"	120"	14g	52.0
16.	1ETM100-6-G	Mount	6"	N/A	N/A	14g	4.2
17.	1ETC190-106-G	Corner Inside	10"	6"	6"	.14g	3.6
18.	1ETC191-106-G	Corner Outside	10"	6"	6"	.14g	3.7
19.	1ETE100-106-G	End Cap	10"	N/A	6"	.14g	1.7
20.	1ETS100-106-G	Splice	10"	6"	N/A	14g	1.0
21.	1ETC100-10-G-120	Cover	10"	N/A	120"	14g	36.0
22.	1ETT100-106-G-120	Trough	10"	6"	120"	14g	63.0
23.	1ETM100-10-G	Mount	10"	N/A	N/A	14g	5.6

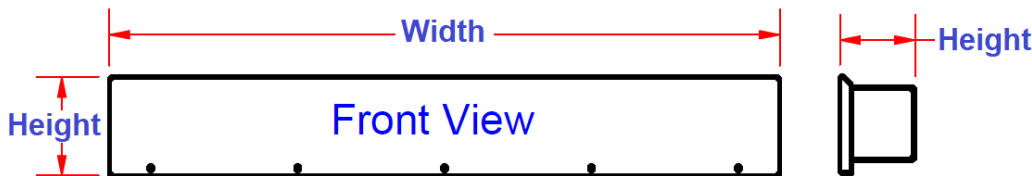


ETW – Electrical Trough Wiring Tray Sections – Galvanize, Steel or Stainless Steel

Electric trough wiring trays are heavy duty and offer easy access to your electric wires. Trough system can be mounted on a wall, hung from ceiling or any horizontal flat surface. Electrical troughs are available in different sizes and can be ordered custom size. All AMERICAN TRUCKBOXES troughs are designed and built to keep your wires organized and secure.



Description
• An engineered galvanized, steel or stainless steel construction
• Zinc epoxy primer with MR Powder baked topcoat finish
• Can be mounted directly to wall or with optional bracket
• Optional wall mounting brackets to elevate trough from wall
• Fully seam welded
• Top hung cover for easy closure and keeps trough dry
• Stainless steel bolts and inserts nuts to keep cover secure
• Can be ordered in custom sizes.
• Listing pending – For indoor use only



Steel powder coated gray (color) standard, for galvanized steel trough add V to end of part number.

For Stainless steel trough add a S to beginning of part number

No.	Model Number	Description	Height (in.)	Depth (in.)	Width (in.)	Material	Weight (lbs.)
1.	S-ETW41-4412-G	Electric Wire Trough	4"	4"	12"	14g Steel	7.4
2.	S-ETW41-4424-G	Electric Wire Trough	4"	4"	24"	14g Steel	12.1
3.	S-ETW41-4436-G	Electric Wire Trough	4"	4"	36"	14g Steel	16.8
4.	S-ETW41-4448-G	Electric Wire Trough	4"	4"	48"	14g Steel	21.4
5.	S-ETW41-4460-G	Electric Wire Trough	4"	4"	60"	14g Steel	26.1
6.	S-ETW41-4472-G	Electric Wire Trough	4"	4"	72"	14g Steel	30.8
7.	S-ETW41-6412-G	Electric Wire Trough	6"	4"	12"	14g Steel	9.5
8.	S-ETW41-6424-G	Electric Wire Trough	6"	4"	24"	14g Steel	15.2
9.	S-ETW41-6436-G	Electric Wire Trough	6"	4"	36"	14g Steel	21.0
10.	S-ETW41-6448-G	Electric Wire Trough	6"	4"	48"	14g Steel	26.7
11.	S-ETW41-6460-G	Electric Wire Trough	6"	4"	60"	14g Steel	32.4
12.	S-ETW41-6472-G	Electric Wire Trough	6"	4"	72"	14g Steel	38.2
13.	S-ETW41-6624-G	Electric Wire Trough	6"	6"	24"	14g Steel	19.1
14.	S-ETW41-6636-G	Electric Wire Trough	6"	6"	36"	14g Steel	25.9
15.	S-ETW41-6648-G	Electric Wire Trough	6"	6"	48"	14g Steel	32.7
16.	S-ETW41-6660-G	Electric Wire Trough	6"	6"	60"	14g Steel	39.4
17.	S-ETW41-6672-G	Electric Wire Trough	6"	6"	72"	14g Steel	46.2
18.	S-ETW41-6696-G	Electric Wire Trough	6"	6"	96"	14g Steel	59.7
18.	S-ETW41-10624-G	Electric Wire Trough	10"	6"	24"	14g Steel	26.5
19.	S-ETW41-10636-G	Electric Wire Trough	10"	6"	36"	14g Steel	35.3
20.	S-ETW41-10648-G	Electric Wire Trough	10"	6"	48"	14g Steel	44.2
21.	S-ETW41-10660-G	Electric Wire Trough	10"	6"	60"	14g Steel	53.0
22.	S-ETW41-10672-G	Electric Wire Trough	10"	6"	72"	14g Steel	61.9
23.	S-ETW41-10696-G	Electric Wire Trough	10"	6"	96"	14g Steel	79.6

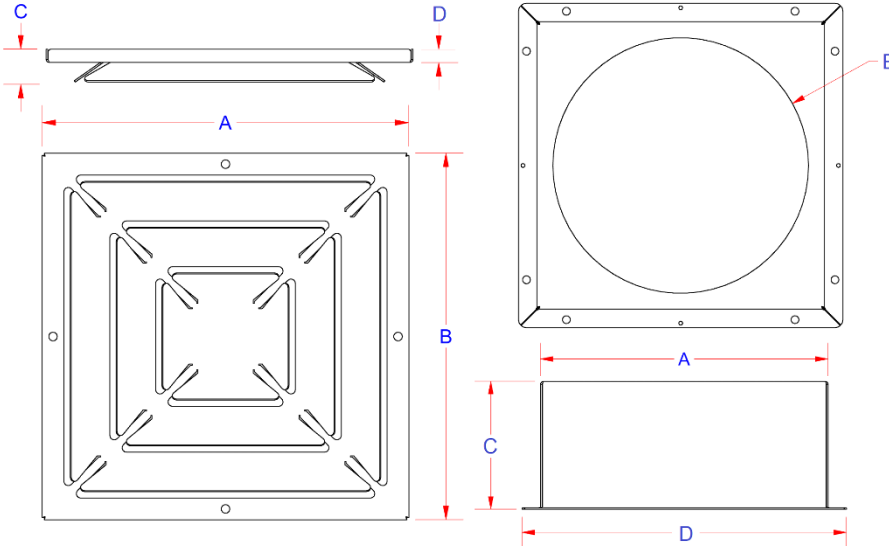
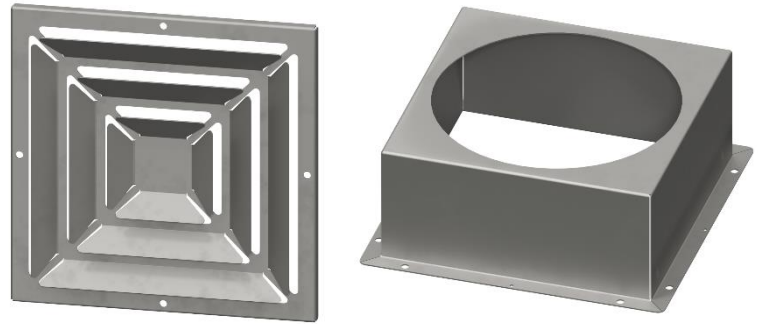
Note: Troughs are available in: Stainless Steel, Steel Gray (G) Powder Coated (standard) all Galvanize.

AB – Air Diffuser – Stainless Steel

Air Diffusers and Air Boxes are heavy duty and offer easy installation. Air Diffuse and Duct can be mounted in ceiling and on a wall. Air Diffuse and Ducts are available in different sizes and can be ordered custom size. All AMERICAN TRUCKBOXES products are designed and built to keep your warm and comfortable.

Description

- An engineered 18g stainless-steel construction
- Optional - Zinc epoxy primer with MR Powder baked topcoat finish
- An easy collar connection
- Stainless steel hardware
- Can be ordered in custom sizes
- Listing pending – For indoor and outdoor use



Size	Air Flow Chart									
	200	300	400	500	600	700	800	900	1000	
6"	50	75	100	122	148	170	195	220	250	
PS	.002	.004	.006	.010	.014	.018	.023	.030	.037	
Throw	.5	.75	1.0	2.0	2.0	2.5	3.0	3.5	4.0	
8"	100	150	200	245	295	340	385	445	500	
PS	.005	.007	.010	.015	.022	.029	.038	.049	.060	
Throw	1.2	1.8	2.5	3.5	4.0	4.5	5.0	5.5	6.0	
10"	150	225	300	365	445	500	580	660	750	
PS	.007	.009	.014	.021	.030	.041	.054	.068	.084	
Throw	2.0	3.0	4.0	5.5	6.5	8.0	9.0	10.5	11.5	
12"	200	300	400	485	585	675	630	880	1005	
PS	.007	.009	.015	.023	.033	.045	.060	.072	.094	
Throw	2.8	4.1	5.5	7.0	8.5	10.0	11.5	13.0	14.5	
14"	365	410	550	670	815	930	1060	1210	1380	
PS	.011	.017	.023	.036	.051	.071	.093	.115	.140	
Throw	3.5	5.2	7.0	8.5	10.5	12.0	13.5	15.5	17.0	
16"	360	540	720	875	1070	1220	1390	1585	1805	
PS	.014	.021	.028	.040	.060	.080	.098	.120	.160	
Throw	4.2	6.4	8.5	10.0	12.0	13.5	15.0	17.0	18.5	
18"	450	675	900	1095	1340	1525	1740	1980	2260	
PS	.015	.022	.030	.044	.068	.098	.121	.126	.170	
Throw	4.7	7.1	9.5	12.0	16.0	18.0	22.0	25.0	28.0	
20"	525	785	1050	1281	1560	1780	2030	2315	2640	
PS	.016	.024	.032	.048	.074	.105	.134	.138	.180	
Throw	5.2	7.8	10.5	13.5	17.5	19.5	24.0	27.0	30.0	

Optional: Powder coated white (color) replace N with W at end of part number.

No.	Model Number	Description	Size (in.)	CFM NV-400	A (in.)	B (in.)	C (in.)	D (in.)	E (in.)	Weight (lbs.)
1.	SS-AD21-6-N	Air Diffuser	6	100	8.5	8.5	1.625	1	N/A	.6
2.	SS-AD21-8-N	Air Diffuser	8	200	10.5	10.5	1.625	1	N/A	0.8
3.	SS-AD21-10-N	Air Diffuser	10	300	12.5	12.5	1.625	1	N/A	1.2
4.	SS-AD21-12-N	Air Diffuser	12	400	14.5	14.5	1.625	1	N/A	1.6
5.	SS-AD21-14-N	Air Diffuser	14	550	16.5	16.5	1.625	1	N/A	2.2
6.	SS-AD21-16-N	Air Diffuser	16	720	18.5	18.5	1.625	1	N/A	2.7
7.	SS-AD21-18-N	Air Diffuser	18	900	20.5	20.5	1.625	1	N/A	3.5
8.	SS-AD21-20-N	Air Diffuser	20	1050	22.5	22.5	1.625	1	N/A	4.2
9	SS-AB21-6-N	Air Box	6	N/A	7	7	4	8-1/8	6	1.1
10.	SS-AB21-8-N	Air Box	8	N/A	9	9	4	10-1/8	8	1.8
11.	SS-AB21-10-N	Air Box	10	N/A	11	11	4	12-1/8	10	2.8
12.	SS-AB21-12-N	Air Box	12	N/A	13	13	4	14-1/8	12	4.0
13.	SS-AB21-14-N	Air Box	14	N/A	15	15	4	16-1/8	14	5.5
14.	SS-AB21-16-N	Air Box	16	N/A	17	17	4	18-1/8	16	7.2
15.	SS-AB21-18-N	Air Box	18	N/A	19	19	4	20-1/8	18	9.1
16.	SS-AB21-20-N	Air Box	20	N/A	21	21	4	22-1/8	20	11.3

Specification:

Decoding Part Number	A - MS 4 1 C - N 18 18 48 S D - T T B 4	
Decoding Type Number:	_____	
A=Aluminum S=Steel SS=Stainless Steel		Drawer, Shelves or Tank Count:
Series of Box:	_____	Option Powder Coat Finish: C=Clear / B=Black / W=White
Duty:	_____	Finish Door or Lid: S=Smooth / T=Diamond Tread Finish M=Mirror
3=Medium Duty --- (16g Steel / 16g or .63Alum) 4=Heavy Duty --- (14g Steel / 14g or .100 Alum) 5=Super Heavy Duty (12g Steel / 10g or .125 Alum) 6=Mega Heavy Duty (10g Steel / 07g or .190 Alum)		Finish Body: S=Smooth / T=Diamond Tread Finish
Style of Box:	_____	Door & Lid Position: D=Drop Open / T=Top Open/Hinged L=Side Open Left / R=Side Open Right P=Pull Out
Box Steps or Lock Position:	_____	Door or Lid Configuration: S=Single Door/Lid / D=Double Door/Lid T=Triple Door
S=Strut Steps / L=Laser Steps C=One Lock Centered / B=Both Left and Right Lock		Size No. 3: Width
Box Modification:	_____	
N=Notched		
Size No. 1:	_____	
Height		
Size No. 2:	_____	
Depth		

Special Notice: This manual contains drawings and written material, which are for the sole purpose of mounting and providing guidelines for installing our boxes and/or equipment in various configurations. Keep in mind that these are only intended as guidelines and not to be construed as construction drawings or specifications.

America Truckboxes, LLC shall not be responsible in any way for anything other than the providing of equipment and materials ordered. Guidelines shown in this manual may not meet or be in accordance with local, state, or federal regulations in effect at time of installation. **American Truckboxes, LLC has the right to make changes in design at any time without notice.**

Office Hours: Monday through Friday - 8:00am to 12:00am and 1:00pm to 5:00pm

American Truckboxes, LLC. 15750 - 6th Street SE, Blanchard, ND 58009

Phone: (888) 996-0376 **Email:** sales@truckbox.com

For installation guidelines, visit our web page at: www.truckbox.com and download our installation manual.

AMERICAN TRUCKBOXES, LLC. - LIMITED WARRANTY

This LIMITED WARRANTY is made by American Truckboxes, LLC, 15750 - 6th Street SE, Blanchard, North Dakota 58009 to the original retail purchaser of American Truckboxes, LLC products. If you have any questions or need assistance regarding this warranty and the warranty of your product, please call our customer service department at: (888) 996-0376, between the hours 8:00AM to 5:00PM CST. This warranty applies to all product purchased on or after January 1, 2019.

AMERICAN TRUCKBOXES, LLC WARRANTS THAT THIS PRODUCT WILL BE FREE FROM DEFECTS IN MATERIAL AND WORKMANSHIP FOR A PERIOD OF SIXTY (60) MONTHS ON STANDARD BOXES, TWELVE (12) MONTHS ON CUSTOM BOXES (MODIFIED OR SPECIAL DESIGN TO CUSTOMER SPECIFICATIONS) AND TWELVE (12) MONTHS ON AUXILIARY TANKS, FROM DATE OF PURCHASE BY THE ORIGINAL RETAIL PURCHASER ONLY. THIS WARRANTY TERMINATES IF THE ORIGINAL PURCHASER TRANSFERS THE AMERICAN TRUCKBOXES, LLC PRODUCT TO ANY OTHER PERSON.

If purchaser discovers that the product fails to fulfill the warranty before the warranty period, original purchaser must promptly contact American Truckboxes, LLC in writing of the nonconformity, to make arrangement for an inspection of this product. A copy of the original sales receipt must be supplied to the manufacturer at the time a warranty claim is made. If American Truckboxes, LLC determines a defect exists, American Truckboxes, LLC shall, at its option and expense, repair or replace any defective parts. All warranty repairs shall be made by an authorized American Truckboxes, LLC product dealer or American Truckboxes LLC approved service man. Any part or parts of the goods not manufactured by American Truckboxes LLC are not warranted for any purpose.

This warranty shall not apply or expressly exclude, if the American Truckboxes, LLC product has been subject to an accident, normal wear and tear, cosmetic rust, scratches, unlawful vehicle operation, act of God, improper maintenance, misuse or alteration made by anyone other than American Truckboxes, LLC or a product dealer of American Truckboxes, LLC approved service personal or company. Defects resulting from conditions beyond the manufacturer control, but not limited to, overloading, misuse or failure to assemble or mount the product according to the manufacturer's installation guide line, written instructions or damage to the contents of the box or vehicle.

Purchaser must deliver written notice of any claimed defect or failure covered by this Limited Warranty within thirty (30) days after discovery. Such notice must specify the date of purchase as well as the nature of the defect or failure.

THE WARRANTY PRINTED ABOVE IS THE ONLY WARRANTY TO THIS PURCHASE. ALL OTHER WARRANTIES, EXPRESS OR IMPLIED, INCLUDING BUT NOT LIMITED TO THE IMPLIED WARRANTIES OF MERCHANTABILITY AND FITNESS FOR A PARTICULAR PURPOSE ARE HEREBY DISCLAIMED.

American Made Products

Advantages & Benefits

Why Choose American Truckboxes?

American Truckboxes is a USA Manufacturer that specialize in manufacturing heavy duty truck storage equipment or boxes for the truck and trailer industry for over 25 Years.

We use only the highest quality material, parts and heavy gauge steel or aluminum. **All our steel boxes are primed and top coated with zinc epoxy primer and a super durable baked topcoat powder coat finish.**

Our primary focus is using heavy-duty stainless-steel hinges, lid supports, heavy duty dual gas springs, easy workable dividers, shelves, trays, automotive weather stripping, superior anti-theft designs and lock systems designed to withstand severe weather conditions and much, much more.

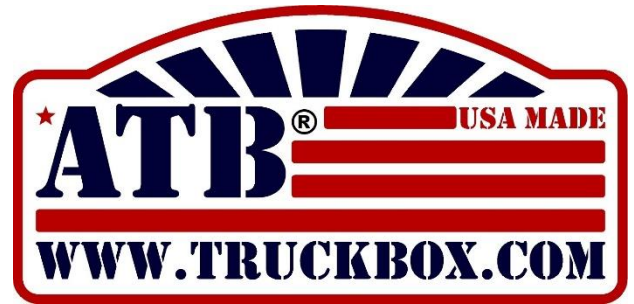
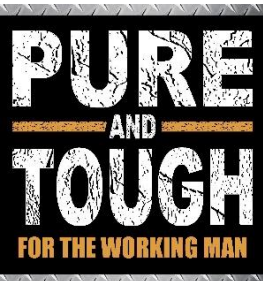
Is an American Truckboxes Box Right For Me?

American Truckboxes boxes are available in many sizes, appropriate for any size truck or vehicle. They may be installed on either new or pre-owned trucks. We know your truck, tools and equipment is everything to you, so we design our products based on what we hear back from you. Your knowledgeable American Truckboxes dealer or representative can help select, the best box that is best for you.

Do I get a warranty with this product?

All products come with a limited warranty for defects in material and workmanship (see www.truckbox.com for full warranty detail). American Truckboxes, LLC. is dedicated to continuous product research, development and reserves the right to change design and specifications without notice.

American Truckboxes, LLC. is dedicated to continuous product research, development and reserves the right to change design and specifications without notice.



WWW.TRUCKBOX.COM