



American Truckboxes

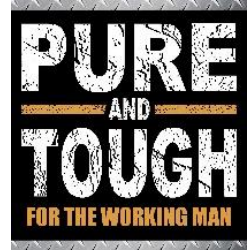
Quality Built Products

Machine Shop Catalog



WWW.TRUCKBOX.COM

American Truckboxes, LLC is an innovative designer of storage products for the transportation and service industries manufacturing steel, stainless steel, and aluminum products.



American Truckboxes, LLC.

American Truckboxes, LLC is your *One-Stop* source for industrial commercial toolboxes and has the most extensive range of storage products in the United States. With such a diverse range of products, outstanding designs, and engineering staff, American Truckboxes, LLC can design and manufacture storage products for almost any requirement.

While the primary focus of products is for the work truck industry, American Truckboxes, LLC also designs and manufactures many specialty and customized products. Call us with your idea and we will help you design a solution. We use 3D Autodesk Inventor to design all the products we manufacture.

Introduction:

The purpose of this manual is to familiarize you with our company and our products. You will be able to use this manual to help you select the right product for the right job.

Our Mission:

To Be The Best Box Manufacturing Company In The Industry Today, Not The Biggest.

To furnish quality equipment, to those who will benefit from it at a competitive price. To provide follow-up service better than any other supplier. To be so good at what we do that you will never have a need to look elsewhere.



New: Dolphin Tail Latch with Roller

Index Page

No.	Model	Contents	Page	No.	Model	Contents	Page
Cabinets and Carts for the Machine Shop							
1.	MS	Machine Storage Cabinets	3	7.	SM	Machine Shelves	9
2.	PS	Parts Storage Bins	4	8.	PC	Pushcart	10
3.	WT	Work-Tables	5	9.	WC	Work Cart	11
4.	MC	Machine Cabinets	6	10.	SSB/SSA	Shelf Brackets	12
5.	MD	Machine Die Cabinets	7	11.	ATB	Special Notice & Company Info	13
6.	CM	Machine Carts	8	12.	WA	Warranty	13

For Installation Guidelines and recommendation, visit our web page at: www.truckbox.com and download our installation manual.

MS – Machine Storage Cabinets – Galvanize – Single Door

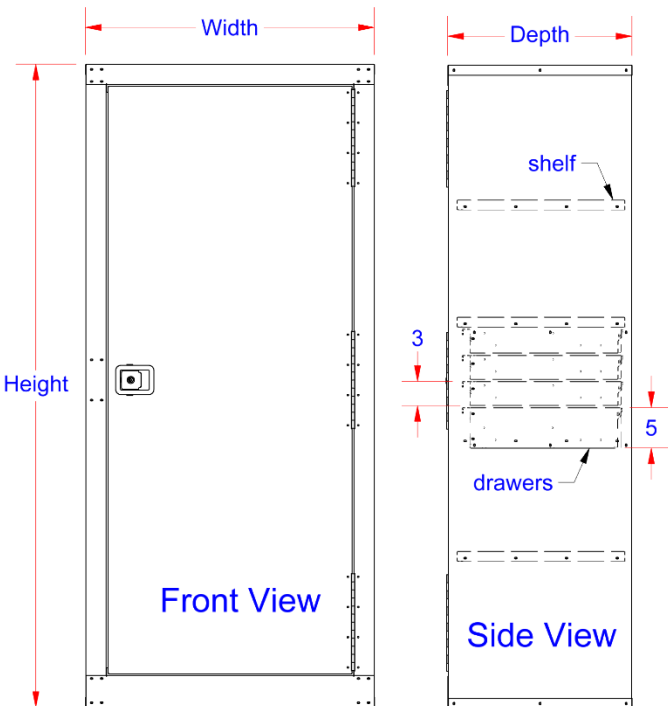
Machine storage cabinets are heavy duty, high capacity and offer a great way to store your tools, bolts, and service/machine parts. Storage cabinets offer a great way to organize your service area and may be used many different applications. Storage cabinets are available in different sizes and can be ordered custom size. All AMERICAN TRUCKBOXES storage cabinets are designed and built to a quality you respect.

Description

- An engineered galvanized steel construction
- Corner frames have double fastener for superior strength
- Front channel stiffeners on all shelves for superior strength
- Riveted box channels on door for extra strength
- Slam latch and lockable
- Spray can holder and small parts tray
- All galvanized finish



SMS21-802336SD-V4



S-MS21-802336R-V3-4

No.	Model Number	Material (gauge)	Height (in.)	Depth (in.)	Width (in.)	Shelves	Drawers	Door Bins	Design	Weight (lb.)
1.	S-MS21-801832R-V4	18	80	18	32	4	None	3	Machine	220
2.	S-MS21-802336R-V4	18	80	23	36	4	None	3	Machine	260
3.	S-MS21-802336R-V4-1	18	80	23	36	4	1	3	Machine	290
4.	S-MS21-802336R-V3-4	18	80	23	36	3	4	2	Machine	380
5.	S-MS21R-802342R-V6-1	18	80	23	42	6	1	2	Reloading/Machine	355

Note: Cabinets are available in different configuration and custom sizes; call the factory for different sizes and options.

PS – Part-Storage Bins - Galvanize

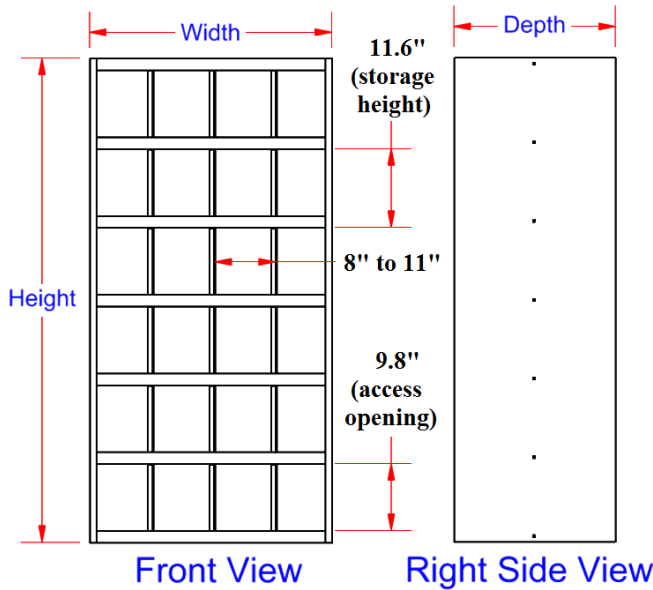
Part-storage bins are heavy duty, high capacity and offer a great way to store your tools, bolts, and service parts. Storage bins offer a great way to organize your warehouse and may be used many different applications. Storage bins are available in different sizes and can be ordered custom size. All AMERICAN TRUCKBOXES storage bins are designed and built to a quality you respect.

Description

- An engineered galvanized steel construction
- Front edges are hemmed for safety
- Optional powder coated finish
- Bin compartment number labels come with bin
- Part labels available by request
- Easy assembled with carriage bolts



SPSB2-722436-GV



SPSB2-481836-GV

No.	Model Number	Material (gauge)	Height (in.)	Depth (in.)	Width (in.)	Bins (Qty)	Weight (lb.)
1.	S-PS21-121836-V	18	13.4	18	36	3 or 4	29 / 33
2.	S-PS21-241836-V	18	25.1	18	36	6 or 8	58 / 66
3.	S-PS21-361836-V	18	36.9	18	36	9 or 12	87 / 99
4.	S-PS21-481836-V	18	48.6	18	36	12 or 16	120 / 132
5.	S-PS21-601836-V	18	60.3	18	36	15 or 20	145 / 165
6.	S-PS21-721836-V	18	72.0	18	36	18 or 24	174 / 198
7.	S-PS21-841836-V	18	83.7	18	36	21 or 28	204 / 232
8.	S-PS21-122436-V	18	13.4	24	36	3 or 4	39 / 44
9.	S-PS21-242436-V	18	25.1	24	36	6 or 8	78 / 88
10.	S-PS21-362436-V	18	36.9	24	36	9 or 12	116 / 132
11.	S-PS21-482436-V	18	48.6	24	36	12 or 16	154 / 176
12.	S-PS21-602436-V	18	60.3	24	36	15 or 20	193 / 220
13.	S-PS21-722436-V	18	72.0	24	36	18 or 24	234 / 265
14.	S-PS21-842436-V	18	83.7	24	36	21 or 28	274 / 310

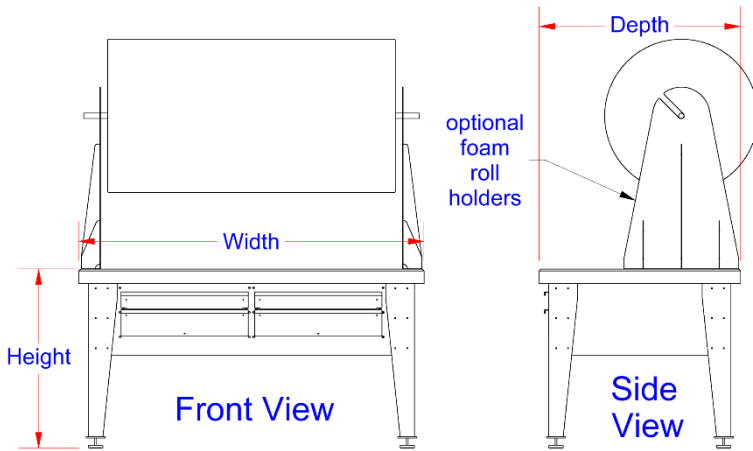
Note: Bins are available in different configuration and custom sizes; call the factory for different sizes and options.

WT – Work-Tables – Steel - Wood

Work-tables are heavy duty and offer a great way to store your tools, and service/machine parts. Tables offer a great way to organize your service area and may be used many different applications. Tables are available in different sizes and can be ordered custom size. All AMERICAN TRUCKBOXES tables are designed and built to a quality you respect.

Description

- An engineered steel and wood construction
- Heavy corners for superior strength
- Heavy duty rubber adjustable foot pads
- Drawers with partitioned dividers with durable heavy-duty slides
- Powder coated baked-on finish
- **Optional 3/16" aluminum top plate for heavy work**
- All powder coated finish



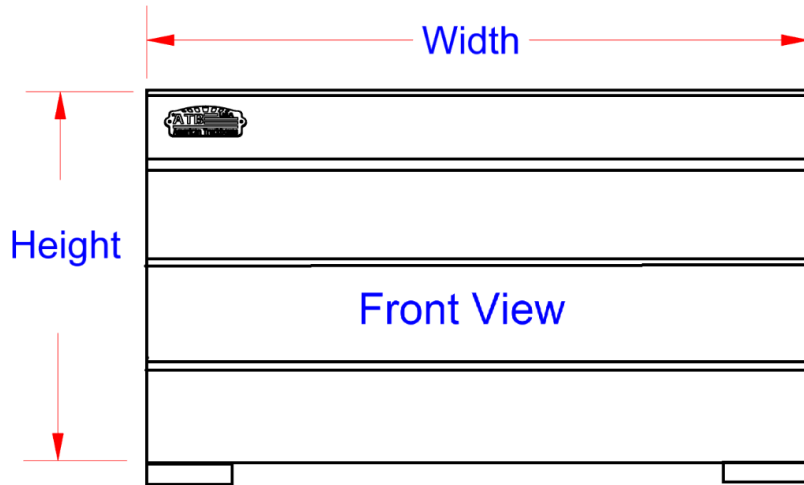
No.	Model Number	Material (gauge)	Height (in.)	Depth (in.)	Width (in.)	Shelves	Drawers	Bins	Design	Weight (lb.)
1.	S-WTR51-3824-1-B	12	38	24	2	N/A	N/A	None	Steel/Wood	48
2.	S-WT51-383248-WB-2	14-12	38	32	48	0	2	None	Wood Top	180
3.	S-WT51-384248-WB-2	14-12	38	42	48	0	2	None	Wood Top	195
4.	S-WT51-384260-WB-4	14-12	38	42	60	0	4	None	Wood Top	245
5.	S-WT51-384272-WB-4	14-12	38	42	72	0	4	None	Wood Top	285
6.	S-WT51-384296-WB-4	14-12	38	42	96	0	4	None	Wood Top	375
7.	S-WT51-3842120-WB-4	14-12	38	42	120	0	4	None	Wood Top	470
8.	S-WT51-384848-WB-2	14-12	38	48	48	0	2	None	Wood Top	214
9.	S-WT51-384860-WB-4	14-12	38	48	60	0	4	None	Wood Top	270
10.	S-WT51-384872-WB-4	14-12	38	48	72	0	4	None	Wood Top	317
11.	S-WT51-384896-WB-4	14-12	38	48	96	0	4	None	Wood Top	420
12.	S-WT51-3848120-WB-4	14-12	38	48	72	0	4	None	Wood Top	530

MD – Machine Shop Drawer Cabinets Aluminum and Steel

Drawer cabinets are heavy duty and offer a great way to store your tools, and service/machine parts. Cabinets offer a great way to organize your service area and may be used many different applications. Tables are available in different sizes and can be ordered custom size. All AMERICAN TRUCKBOXES tables are designed and built to a quality you respect.

Description

- An engineered steel construction
- Heavy corners for superior strength
- Drawers with partitioned dividers with durable heavy-duty slides
- Powder coated baked-on finish
- All powder coated finish



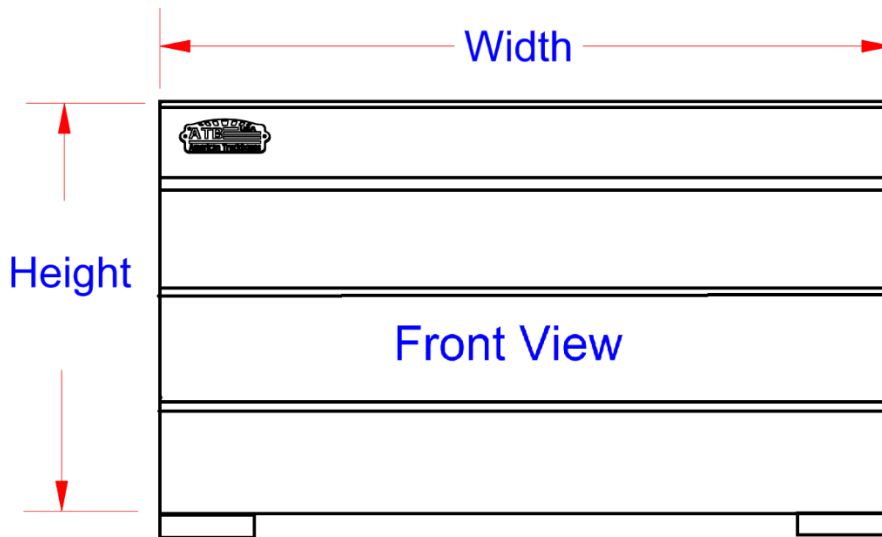
No.	Model Number	Material (gauge)	Height (in.)	Depth (in.)	Width (in.)	Drawer Size	Drawers	Bins	Weight (lb.)
1.	S-MD31-212824-B-4	16-14	21	28	24	2-3", 1-4" & 1-6"	4	None	
2.	S-MD31-212830-B-4	16-14	21	28	30	2-3", 1-4" & 1-6"	4	None	
3.	S-MD31-212836-B-4	16-14	21	28	36	2-3", 1-4" & 1-6"	4	None	
4.	S-MD31-252824-B-5	16-14	25	28	24	2-3", 2-4" & 1-6"	5	None	
5.	S-MD31-252830-B-5	16-14	25	28	30	2-3", 2-4" & 1-6"	5	None	
6.	S-MD31-252836-B-5	16-14	25	28	36	2-3", 2-4" & 1-6"	5	None	
7.	S-MD31-372824-B-5	16-14	37	28	24	1-4", 2-6" & 2-8"	5	None	
8.	S-MD31-372824-B-5	16-14	37	28	30	1-4", 2-6" & 2-8"	5	None	
9.	S-MD31-372836-B-5	16-14	37	28	36	1-4", 2-6" & 2-8"	5	None	
10.	S-MD31-372842-B-5	16-14	37	28	42	1-4", 2-6" & 2-8"	5	None	
11.	S-MD41-383824-B-5	14-12	38	38	24	1-4", 2-6" & 2-8"	5	None	
12.	S-MD41-383830-B-5	14-12	38	38	30	1-4", 2-6" & 2-8"	5	None	
13.	S-MD41-383836-B-5	14-12	38	38	36	1-4", 2-6" & 2-8"	5	None	
14.	S-MD41-383842-B-5	14-12	38	38	42	1-4", 2-6" & 2-8"	5	None	
15.	S-MD41-383848-B-5	14-12	38	38	48	1-4", 2-6" & 2-8"	5	None	
16.	S-MD41-423830-B-5	14-12	42	38	30	2-4", 2-6" & 2-8"	5	None	
17.	S-MD41-423836-B-5	14-12	42	38	36	2-4", 2-6" & 2-8"	5	None	
18.	S-MD41-423842-B-5	14-12	42	38	42	2-4", 2-6" & 2-8"	5	None	
19.	S-MD41-423848-B-5	14-12	42	38	48	2-4", 2-6" & 2-8"	5	None	

MDD – Machine Shop Die Drawer Cabinets - Steel

Drawer cabinets are heavy duty and offer a great way to store your tools, and service/machine parts. Cabinets offer a great way to organize your service area and may be used many different applications. Tables are available in different sizes and can be ordered custom size. All AMERICAN TRUCKBOXES tables are designed and built to a quality you respect.

Description

- An engineered steel construction
- Heavy corners for superior strength
- Heavy duty rubber adjustable foot pads
- Drawers with partitioned dividers with durable heavy-duty slides
- Powder coated baked-on finish
- All powder coated finish



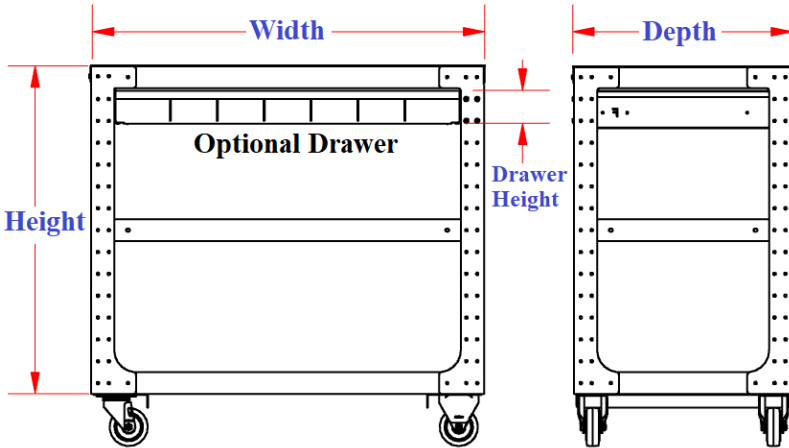
No.	Model Number	Material (gauge)	Height (in.)	Depth (in.)	Width (in.)	Shelves	Drawers	Weight (lb.)
1.	S-MDD41-482834-B-2	16-12	38	34	34	0	5	
2.	S-MDD41-482846-B-2	16-12	38	34	46	0	5	
3.	S-MDD41-602834-B-2	16-12	60	28	34	0	7	
4.	S-MDD41-602846-B-2	16-12	60	28	46	0	7	

CM –Machine Shop Work Carts – Steel

Machine shop work carts are heavy duty and offer a great way to store your tools, and service/machine parts. Carts offer a great way to organize your service area and may be used for many different applications. Carts are available in different sizes and can be ordered custom size. All AMERICAN TRUCKBOXES tables are designed and built to a quality you respect.

Description

- An engineered steel construction
- Heavy corners for superior strength
- Heavy duty hemmed shelves
- Heavy duty 3.5” rubber casters
- Optional drawers with optional partitioned dividers
- Optional durable heavy-duty slides
- Powder coated baked-on finish



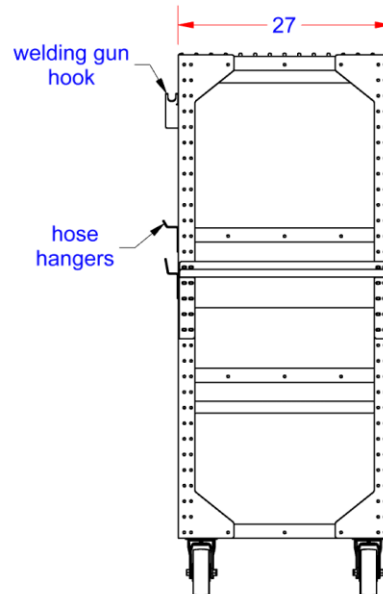
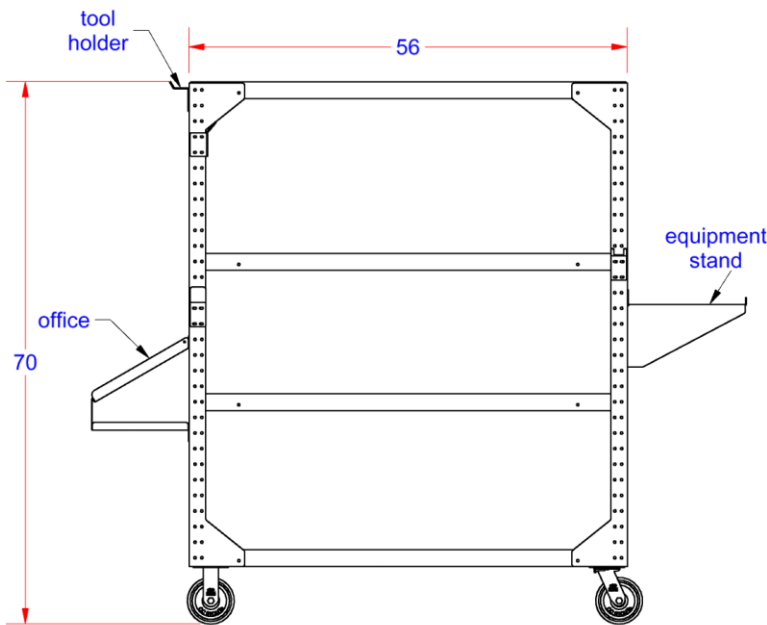
No.	Model Number	Material (gauge)	Height (in.)	Depth (in.)	Width (in.)	Shelves	Drawers	Dividers	Weight (lb.)
1.	S-CM31-302030-BG3	14/16g	30	20	30	3	Add-On	N/A	48
2.	S-CM31-302430-BG3	14/16g	30	24	30	3	Add-On	N/A	56
3.	S-CM31-302036-BG3	14/16g	30	20	36	3	Add-On	N/A	58
4.	S-CM31-302436-BG3	14/16g	30	24	36	3	Add-On	N/A	70
5.	S-CM41-302030-BG3	12/14g	30	20	30	3	Add-On	N/A	60
6.	S-CM41-302430-BG3	12/14g	30	24	30	3	Add-On	N/A	68
7.	S-CM41-302036-BG3	12/14g	30	20	36	3	Add-On	N/A	70
8.	S-CM41-302436-BG3	12/14g	30	24	36	3	Add-On	N/A	82
9.	S-CMD41-42030-BG1	14g	4	20	30	N/A	1	Add-On	16
10.	S-CMD41-42430-BG1	14g	4	24	30	N/A	1	Add-On	19
11.	S-CMD41-42036-BG1	14g	4	20	36	N/A	1	Add-On	20
12.	S-CMD41-42436-BG1	14g	4	24	36	N/A	1	Add-On	24

SM – Shelf-Machine Work Shelves – Steel

Shelf-machine work shelves are heavy duty and offer a great way to store your tools, and service/machine parts. Shelves offer a great way to organize your service area and may be used many different applications. Shelves are available in different sizes and can be ordered custom size. All AMERICAN TRUCKBOXES tables are designed and built to a quality you respect.

Description

- An engineered steel construction
- Heavy corners for superior strength
- Heavy duty rubber casters
- Drawers with partitioned dividers with durable heavy-duty slides
- Powder coated baked-on finish
- All powder coated finish



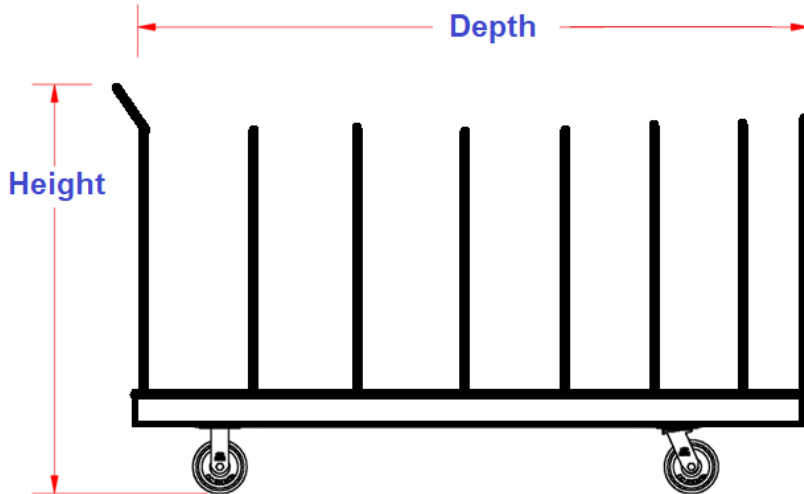
No.	Model Number	Material (gauge)	Height (in.)	Depth (in.)	Width (in.)	Shelves	Drawers	Bins	Weight (lb.)
1.	S-SM51-562760-BC4	12/14g	56	27	60	4	0	None	240
2.	S-SM51-562760-BC4-1	12/14g	56	27	60	4	1	None	260
3.	S-SM51-562772-BC4	12/14g	56	27	72	4	0	None	285
4.	S-SM51-562772-BC4-1	12/14g	56	27	72	4	1	None	310
5.	S-SM51-563272-BC4	12/14g	56	32	72	4	0	None	310
6.	S-SM51-563272-BC4-1	12/14g	56	32	72	4	1	None	345

PC – Machine Pushcart - Work Cart – Steel

Pushcart are heavy duty and offer a great way to store your tools, and service/machine parts. Carts offer a great way to organize your service area and may be used many different applications. Carts are available in different sizes and can be ordered custom size. All AMERICAN TRUCKBOXES tables are designed and built to a quality you respect.

Description

- An engineered steel construction
- Heavy corners for superior strength
- Heavy duty 8” rubber casters
- Partitioned uprights are durable and heavy-duty
- Powder coated baked-on finish
- All powder coated finish



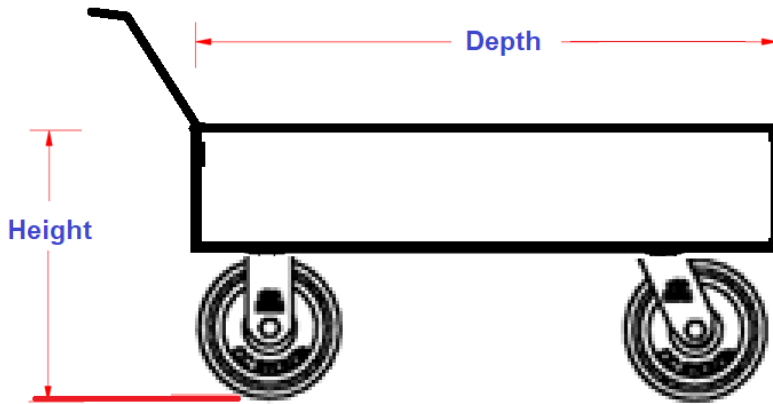
No.	Model Number	Material (gauge)	Height (in.)	Depth (in.)	Width (in.)	Upright Supports	Weight (lb.)
1.	S-MP51-423624-B3	12g	42	36	24	3	
2.	S-MP51-424824-B5	12g	42	48	24	5	
3.	S-MP51-424826-B5	12g	42	48	26	5	
4.	S-MP51-425826-B6	12g	42	58	26	6	
5.	S-MP51-424829-B5	12g	42	48	29	5	
6.	S-MP51-425829-B6	12g	42	58	29	6	

WC – Work Utility Garden Pushcart - Work Cart – Aluminum

Work carts are heavy duty and offer a great way to store your tools, and service/machine parts. Carts offer a great way to organize your service area and may be used many different applications. Carts are available in different sizes and can be ordered custom size. All AMERICAN TRUCKBOXES tables are designed and built to a quality you respect.

Description

- An engineered Aluminum construction
- Heavy corners for superior strength
- Heavy duty 12” rubber wheels
- Durable and heavy-duty
- Powder coated baked-on finish
- All powder coated finish



No.	Model Number	Material (gauge)	Height (in.)	Depth (in.)	Width (in.)	Weight (lb.)
1.	A-WC51-243624-S	10g	24	36	24	
2.	A-WC51-244824-S	10g	24	48	24	
3.	A-WC51-244826-S	10g	24	48	26	
4.	A-WC51-245826-S	10g	24	58	26	
5.	A-WC51-244829-S	10g	24	48	29	
6.	A-WC51-245829-S	10g	24	58	29	

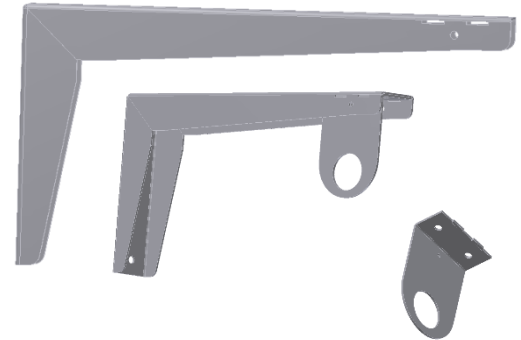
SSB - Shelf Wall Bracket - Steel

Shelf brackets are heavy duty and offer a great way to store and organize your equipment or part. Shelves can be mounted on walls in building or in trailers. Shelf brackets are available in different sizes, and can be ordered in custom size. All Dakota Plains Fabrication shelf brackets are designed and built to keep your equipment organized.

Description

- An engineered steel 14-gauge construction
- Powder coated baked-on finish
- Fully seam welded on both corners

No.	Model Number	Description	Height (in.)	Depth (in.)	Gauge (Steel)	Weight (lb.)
1.	SSB4-0611-W	Shelf Arm	6	11	14	1.50
2.	SSB4-0713-W	Shelf Arm	7	13	14	1.75
3.	SSB4-0815-W	Shelf Arm	8	15	14	2.01
4.	SSB4-1017-W	Shelf Arm	10	17	14	2.36
5.	SSB4-1219-W	Shelf Arm	12	19	14	2.71
6.	SSB5-1423-W	Shelf Arm	14	23	12	3.10
7.	SSB4-0325-W	Pipe Hanger	3	2.5	14	.273



Note: For Black add a "B" to the end of the model number, "W" is for White.

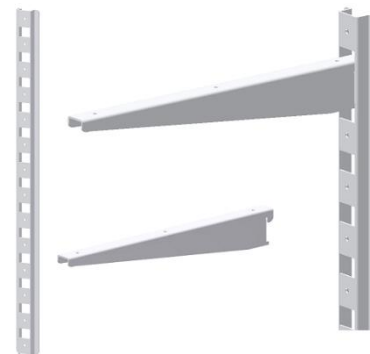
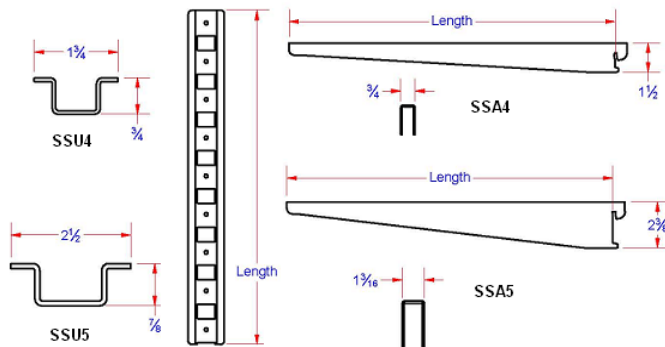
SSA & SSU - Shelf Wall Bracket - Steel

Shelf brackets are heavy duty and offer a great way to store and organize your equipment or part. Shelves can be mounted on walls in building or in trailers. Shelf brackets are available in different sizes, and can be ordered in custom size. All Dakota Plains Fabrication Shelf brackets are designed and built to keep your equipment organized.

Description

- An engineered steel 14 & 12 gauge construction
- Powder coated baked-on finish

Note: Weight rating based on 16" shelf with 2 brackets attached to standards mounted on 16" centers in 2x4 wood studs.



14 Gauge Shelf Brackets- Rated 400 Lbs

No.	Model No.	Length (in.)	Weight (lb.)	No.	Model No.	Length (in.)	Weight (lb.)	No.	Model No.	Length (in.)	Weight (lb.)
1.	SSA4-10A-W	9	0.9	2.	SSA4-12A-W	11	1.1	3.	SSA4-14A-W	13	1.4
4.	SSA4-16A-W	15	1.7	5.	SSA4-18A-W	17	2.0	6.	SSA4-20A-W	19	2.2
7.	SSU4-24A-W	24	1.7	8.	SSU4-30A-W	30	2.2	9.	SSU4-36A-W	36	2.6
10.	SSU4-42A-W	42	3.0	11.	SSU4-48A-W	48	3.5	12.	SSU4-60A-W	60	4.4
13.	SSU4-72A-W	72	5.2	14.	SSU4-84A-W	84	6.1	15.	SSU4-96A-W	96	7.0
16.	SSU4-120A-W	120	8.7	17.	SSU4-144A-W	144	10.4	18.			

12 Gauge Shelf Brackets-Rated 500 Lbs

19.	SSA5-12A-W	11	2.2	20.	SSA5-14A-W	13	2.6	21.	SSA5-16A-W	15	3.0
22.	SSA5-18A-W	17	3.4	23.	SSA5-20A-W	19	3.9	24.	SSA5-24A-W	23	5.1
25.	SSU5-24A-W	24	3.1	26.	SSU5-30A-W	30	3.8	27.	SSU5-36A-W	36	4.6
28.	SSU5-42A-W	42	5.3	29.	SSU5-48A-W	48	6.1	30.	SSU5-60A-W	60	7.6
31.	SSU5-72A-W	72	9.1	32.	SSU5-84A-W	84	10.7	33.	SSU5-96A-W	96	12.2
34.	SSU5-120A-W	120	15.2	35.	SSU5-144A-W	144	18.3	36.			

Specification:

Decoding Part Number	A - MS 4 1 C - N 18 18 48 S D - T T B 4	
Decoding Type Number: _____		Drawer, Shelves or Tank Count:
A=Aluminum		Option Powder Coat Finish:
S=Steel		C=Clear / B=Black / W=White
SS=Stainless Steel		Finish Door or Lid:
Series of Box: _____		S=Smooth / T=Diamond Tread Finish
Duty: _____		M=Mirror
3=Medium Duty --- (16g Steel / 16g or .63Alum)		Finish Body:
4=Heavy Duty --- (14g Steel / 14g or .100 Alum)		S=Smooth / T=Diamond Tread Finish
5=Super Heavy Duty (12g Steel / 10g or .125 Alum)		Door & Lid Position:
6=Mega Heavy Duty (10g Steel / 07g or .190 Alum)		D=Drop Open / T=Top Open/Hinged
Style of Box: _____		L=Side Open Left / R=Side Open Right
Box Steps or Lock Position: _____		P=Pull Out
S=Strut Steps / L=Laser Steps		Door or Lid Configuration:
C=One Lock Centered / B=Both Left and Right Lock		S=Single Door/Lid / D=Double Door/Lid
Box Modification: _____		T=Triple Door
N=Notched		Size No. 3:
Size No. 1: _____		Width
Height		
Size No. 2: _____		
Depth		

Special Notice: This manual contains drawings and written material, which are for the sole purpose of mounting and providing guidelines for installing our boxes and/or equipment in various configurations. Keep in mind that these are only intended as guidelines and not to be construed as construction drawings or specifications.

America Truckboxes, LLC shall not be responsible in any way for anything other than the providing of equipment and materials ordered. Guidelines shown in this manual may not meet or be in accordance with local, state, or federal regulations in effect at time of installation. American Truckboxes, LLC has the right to make changes in design at any time without notice.

Office Hours: Monday through Friday - 8:00am to 12:00am and 1:00pm to 5:00pm

American Truckboxes, LLC. 15750 - 6th Street SE, Blanchard, ND 58009

Phone: (888) 996-0376 **Email:** sales@truckbox.com

For installation guidelines, visit our web page at: www.truckbox.com and download our installation manual.

AMERICAN TRUCKBOXES, LLC. - LIMITED WARRANTY

This LIMITED WARRANTY is made by American Truckboxes, LLC, 15750 - 6th Street SE, Blanchard, North Dakota 58009 to the original retail purchaser of American Truckboxes, LLC products. If you have any questions or need assistance regarding this warranty and the warranty of your product, please call our customer service department at: (888) 996-0376, between the hours 8:00AM to 5:00PM CST. This warranty applies to all product purchased on or after January 1, 2019.

AMERICAN TRUCKBOXES, LLC WARRANTS THAT THIS PRODUCT WILL BE FREE FROM DEFECTS IN MATERIAL AND WORKMANSHIP FOR A PERIOD OF SIXTY (60) MONTHS ON STANDARD BOXES, TWELVE (12) MONTHS ON CUSTOM BOXES (MODIFIED OR SPECIAL DESIGN TO CUSTOMER SPECIFICATIONS) AND TWELVE (12) MONTHS ON AUXILIARY TANKS, FROM DATE OF PURCHASE BY THE ORIGINAL RETAIL PURCHASER ONLY. THIS WARRANTY TERMINATES IF THE ORIGINAL PURCHASER TRANSFERS THE AMERICAN TRUCKBOXES, LLC PRODUCT TO ANY OTHER PERSON.

If purchaser discovers that the product fails to fulfill the warranty before the w

arranty period, original purchaser must promptly contact American Truckboxes, LLC in writing of the nonconformity, to make arrangement for an inspection of this product. A copy of the original sales receipt must be supplied to the manufacturer at the time a warranty claim is made. If American Truckboxes, LLC determines a defect exists, American Truckboxes, LLC shall, at its option and expense, repair or replace any defective parts. All warranty repairs shall be made by an authorized American Truckboxes, LLC product dealer or American Truckboxes LLC approved service man. Any part or parts of the goods not manufactured by American Truckboxes LLC are not warranted for any purpose.

This warranty shall not apply or expressly exclude, if the American Truckboxes, LLC product has been subject to an accident, normal wear and tear, cosmetic rust, scratches, unlawful vehicle operation, act of God, improper maintenance, misuse or alteration made by anyone other than American Truckboxes, LLC or a product dealer of American Truckboxes, LLC approved service personal or company. Defects resulting from conditions beyond the manufacturer control, but not limited to, overloading, misuse or failure to assemble or mount the product according to the manufacturer's installation guide line, written instructions or damage to the contents of the box or vehicle.

Purchaser must deliver written notice of any claimed defect or failure covered by this Limited Warranty within thirty (30) days after discovery. Such notice must specify the date of purchase as well as the nature of the defect or failure.

THE WARRANTY PRINTED ABOVE IS THE ONLY WARRANTY TO THIS PURCHASE. ALL OTHER WARRANTIES, EXPRESS OR IMPLIED, INCLUDING BUT NOT LIMITED

American Made Products

Advantages & Benefits

Why Choose American Truckboxes?

American Truckboxes is a USA Manufacturer that specialize in manufacturing heavy duty truck storage equipment or boxes for the truck and trailer industry for over 25 Years.

We use only the highest quality material, parts and heavy gauge steel or aluminum. **All our steel boxes are primed and top coated with zinc epoxy primer and a super durable baked topcoat powder coat finish.**

Our primary focus is using heavy-duty stainless-steel hinges, lid supports, heavy duty dual gas springs, easy workable dividers, shelves, trays, automotive weather stripping, superior anti-theft designs and lock systems designed to withstand severe weather conditions and much, much more.

Is an American Truckboxes Box Right For Me?

American Truckboxes boxes are available in many sizes, appropriate for any size truck or vehicle. They may be installed on either new or pre-owned trucks. We know your truck, tools and equipment is everything to you, so we design our products based on what we hear back from you. Your knowledgeable American Truckboxes dealer or representative can help select, the best box that is best for you.

Do I get a warranty with this product?

All products come with a limited warranty for defects in material and workmanship (see www.truckbox.com for full warranty detail). American Truckboxes, LLC. is dedicated to continuous product research, development and reserves the right to change design and specifications without notice.

American Truckboxes, LLC. is dedicated to continuous product research, development and reserves the right to change design and specifications without notice.

