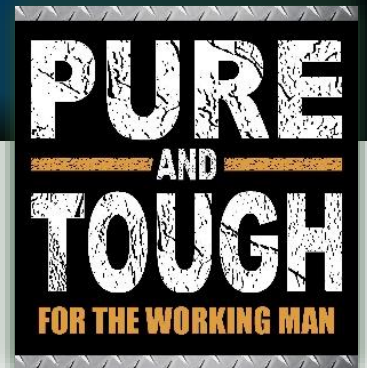




American Truckboxes

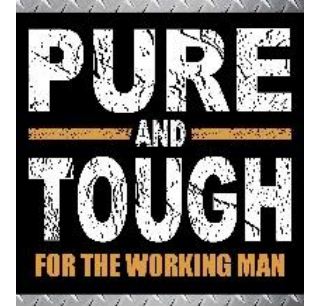
Sports Catalog



Secure and Trusted

Quality Built Storage Equipment

American Truckboxes, LLC is an innovative designer of storage products for the transportation and service industries manufacturing steel, stainless steel, and aluminum products.



American Truckboxes, LLC.

American Truckboxes is your *One-Stop* source for industrial commercial toolboxes and has the most extensive range of storage products in the United States. With such a diverse range of products, outstanding designs, and engineering staff, American Truckboxes can design and manufacture storage products for almost any requirement.

While the primary focus of products is for the work truck industry, American Truckboxes also designs and manufactures many specialty and customized products. Call us with your idea and we will help you design a solution. We use 3D CAD software to design all the products we manufacture.

Introduction:

The purpose of this manual is to familiarize you with our company and our products. You will be able to use this manual to help you select the right product for the right job.



New: Dolphin Tail Latch with Roller

Our Mission:

To Be The Best Box Manufacturing Company In The Industry Today, Not The Biggest.

To furnish quality equipment, to those who will benefit from it at a competitive price. To provide follow-up service better than any other supplier. To be so good at what we do that you will never have a need to look elsewhere.

Index Page

No.	Model	Contents	Page	No.	Model	Contents	Page
Boxes for the Sportsman							
1.	TO	Tote Boxes	3	7.	TCP	Pro-Hunter Boxes	8
2.	SC	4-Wheeler Boxes	4	8.	UC	UTV Cross Boxes	9
3.	UT	Utility Tool Chest	5	9.	UU	UTV Utility Boxes	10
4.	DK	Dog Boxes	6	10	TP	Trail Pro-Pak	11
5.	PBS	Bed-Packs Sports	7	11.	TF	Trail Flatbed	12
6.	GC	Gear Cabinets	8	12.			
Mounting Brackets and Misc. Items							
1.	M-L	Mounting Brackets	13	4.	ATB	Special Notice & Company Info	15
2.	VH	Vehicle Hitch Hauler	13	5.	WA	Warranty	15
3.	TA	LED Lights	14	6.			

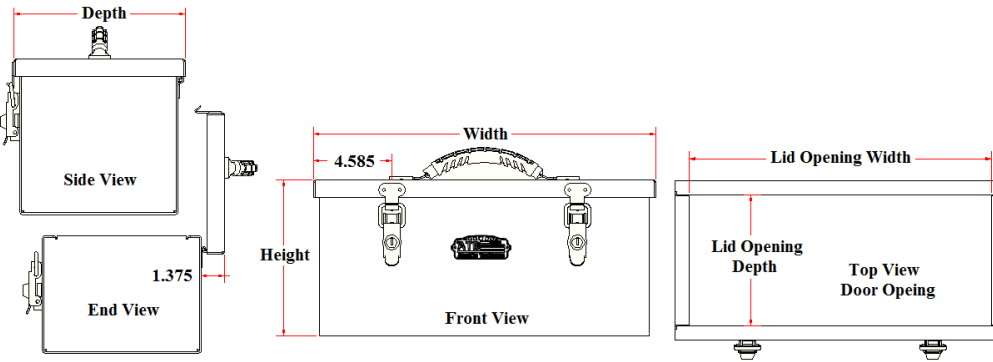
For Installation Guidelines and recommendation, visit our web page at: www.truckbox.com and download our installation manual.

TO - Heavy Duty Steel or Aluminum Tote Boxes, Top Open, Single Lid

Tote boxes are heavy duty and offer great storage for tools or personal belongings. Tote boxes come in different sizes and can be custom sized. All AMERICAN TRUCKBOXES boxes are designed and built to keep your tools safe and secure.

Description

- An engineered aluminum-steel construction - steel powder coated
- Fully seam welded on all seams and corners.
- Stainless steel pad lockable latch
- Comfortable heavy-duty rubber handle smaller models
- Heavy duty recessed carrying handle larger models
- Powder coated baked-on finish steel boxes
- Stainless steel continuous hinge full length of lid
- Removable tray 2-1/2" deep for tool storage
- Automotive type weather seal.
- All stainless steel hardware and fasteners



P/N: A = 1A085 B = 1A087 C = 1A088



Stainless Steel Padlockable Swist Type Latch P/N: 1A085
 Stainless Steel Key Lock Pull Type Latch P/N: 1A087
 Stainless Steel Pad Lock Pull Type Latch P/N: 1A088

No.	Model Number	Material	Height (in.)	Depth (in.)	Width (in.)	Top Handles	Side Handles	Lid Opening Depth (in.)	Lid Opening Width (in.)	Weight (lb.)
1.	A-TO3C-A1-91518-TT	.063 Tread	9	15	18	Yes	No	6-9/16	15-9/16	11
2.	A-TO3C-A1-101020-TT	.063 Tread	10	10	20	Yes	No	7-9/16	17-9/16	9
3.	A-TO3B-A1-101024-TT	.063 Tread	10	10	24	Yes	No	7-9/16	21-9/16	11
4.	A-TO3B-A1-R121224-TT	.063 Tread	12	12	24	Yes	Yes	9-9/16	21-9/16	15
5.	A-TO3B-A1-R121236-TT	.063 Tread	12	12	36	Yes	Yes	9-9/16	33-9/16	20
6.	A-TO3B-A -R121248-TT	.063 Tread	12	12	48	No	Yes	9-9/16	45-9/16	26
7.	A-TO3B-A1-R141424-TT	.063 Tread	14	14	24	Yes	Yes	11-9/16	21-9/16	17
8.	A-TO3B-A -R141436-TT	.063 Tread	14	14	36	No	Yes	11-9/16	33-9/16	23
9.	A-TO3B-A -R141448-TT	.063 Tread	14	14	48	No	Yes	11-9/16	45-9/16	30
10.	A-TO3B-A -R181836-TT	.063 Tread	18	18	36	No	Yes	15-9/16	33-9/16	30
11.	S-TO3C-A1-91518-B	16 gauge steel	9	15	18	No	No	6-9/16	15-9/16	26
12.	S-TO3C-A1-101020-B	16 gauge steel	10	10	20	No	No	7-9/16	17-9/16	23
13.	S-TO3B-A1-101024-B	16 gauge steel	10	10	24	No	No	7-9/16	21-9/16	26
14.	S-TO3B-A1-R121224-B	16 gauge steel	12	12	24	Yes	Yes	9-9/16	21-9/16	34
15.	S-TO3B-A1-R121236-B	16 gauge steel	12	12	36	Yes	Yes	9-9/16	33-9/16	46
16.	S-TO3B-A -R121248-B	16 gauge steel	12	12	48	No	Yes	9-9/16	45-9/16	60
17.	S-TO3B-A1-R141424-B	16 gauge steel	14	14	24	Yes	Yes	11-9/16	21-9/16	39
18.	S-TO3B-A -R141436-B	16 gauge steel	14	14	36	No	Yes	11-9/16	33-9/16	54
19.	S-TO3B-A -R141448-B	16 gauge steel	14	14	48	No	Yes	11-9/16	45-9/16	70
20.	S-TO3B-A -R181836-B	16 gauge steel	18	18	36	No	Yes	15-9/16	33-9/16	71

SC - 4-Wheeler Boxes - Aluminum - Single Top Open Lid

4-Wheeler chest boxes are heavy duty and offer easy access to your equipment. Boxes can be mounted on front and back of 4-wheeler or many other applications. These boxes are perfect for storing your hunting equipment, tools and personal gear. 4-wheeler boxes are available in different sizes, and can be ordered custom size. All AMERICAN TRUCKBOXES boxes are designed and built to keep your equipment safe and secure.

Description

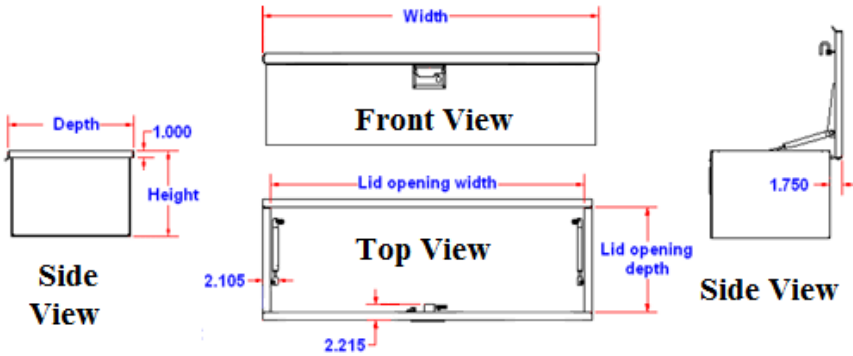
- An engineered aluminum construction
- Fully seam welded on all seams and corners
- Stainless Steel continuous hinge full length of lid
- Unique design for perfect fit and looks
- Channel braced reinforced lid with gas springs
- Zinc epoxy primer with MR powder baked topcoat finish
- Lockable stainless-steel latch
- Adjustable lock striker for positive weather seal
- Fully concealed rain gutter and automotive type weather seal
- Automotive style latch with smooth rotary action
- Rubber matt inside floor
- Mounting kit included - M3202D



SC31 Front Box



SC32 Rear Box



Note: *Boxes are available in: Black (B) and Forest Green (G) Finish – add after part number.

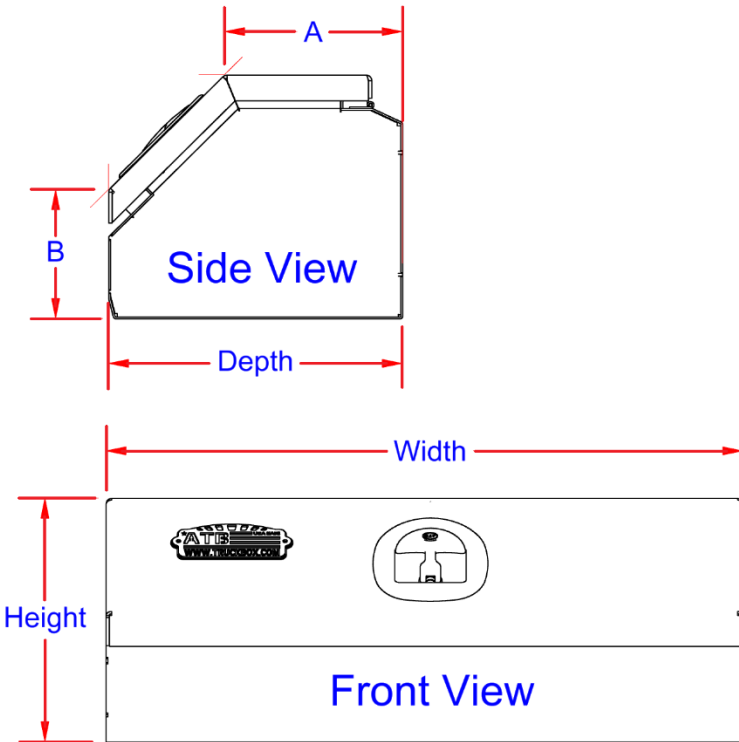
No.	Model Number	Material	Height (in.)	Depth (in.)	Width (in.)	Lid Opening Width (in.)	Lid Opening Depth (in.)	Weight (lb.)
1.	A-SC31-61336-TTB	.063 Tread	6	13	36	31.00	8-13/16	15
2.	A-SC31-81336-TTB	.063 Tread	8	13	36	31.00	8-13/16	16
3.	A-SC31-101336-TTB	.063 Tread	10	13	36	31.00	8-13/16	18
4.	A-SC31-81342-TTB	.063 Tread	8	13	42	37.00	8-13/16	19
5.	A-SC31-101342-TTB	.063 Tread	10	13	42	37.00	8-13/16	20
6.	A-SC32-101440-TTB	.063 Tread	10	14	40	36-3/4	10-7/8	20
7.	A-SC32-121440-TTB	.063 Tread	12	14	40	36-3/4	10-7/8	22
8.	A-SC32-141440-TTB	.063 Tread	14	14	40	36-3/4	10-7/8	23
9.	A-SC32-161440-TTB	.063 Tread	16	14	40	36-3/4	10-7/8	25
10.	A-SC32-161444-TTB	.063 Tread	16	14	44	40-3/4	10-7/8	27

UT – UTV Utility Tool Chest Boxes - Aluminum – Top Open Door(s)

UTV tool chest boxes are super heavy duty, high capacity and offer easy access from front or side of ATV. Top shelves and bottom divider offer great storage and organization. Boxes can be ordered custom size or length. All AMERICAN TRUCKBOXES drawer boxes are designed and built to keep your tools organized and equipment safe and secure.

Description

- An engineered .090 (12g) smooth and .100 (12g) tread aluminum
- Fully seam welded on all seams and corners
- Stainless Steel continuous hinge on full length of lid
- Channel braced reinforced doors with gas springs
- Lockable SS Dolphin Tail HD adjustable T-handle latch
- Optional: Zinc epoxy primer with MR powder baked topcoat finish
- Fully concealed rain gutter, with automotive type weather seal
- Optional inside shelf with or without adjustable compartment
- Mounting kit not included:



Note: *Boxes are available with Powder Coated Finish – add after part number. Boxes can be ordered in Custom Size.

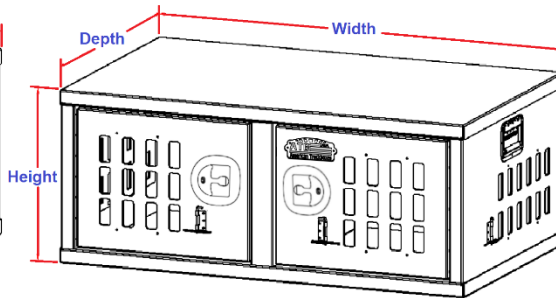
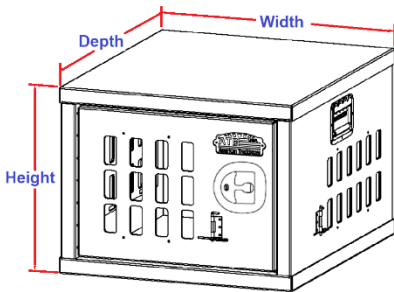
No.	Model Number	Height (in.)	Depth (in.)	Width (in.)	Depth "A" (in.)	Front Height "B" (in.)	Door Opening Height (in.)	Door Opening Width (in.)	Weight (lb.)
1.	A-UT41-121332S-T	12	13	32	8.0	6.00	11	28	26
2.	A-UT41-121334D-T	12	13	34	8.0	6.00	11	30	27
3.	A-UT41-121336D-T	12	13	36	8.0	6.00	11	32	29
4.	A-UT41-121338D-T	12	13	38	8.0	6.00	11	34	31
5.	A-UT41-121340D-T	12	13	40	8.0	6.00	11	36	33
6.	A-UT41-151432D-T	15	14	32	9.0	8.00	13	28	30
7.	A-UT41-151434D-T	15	14	34	9.0	8.00	13	30	32
8.	A-UT41-151436D-T	15	14	36	9.0	8.00	13	32	34
9.	A-UT41-151438D-T	15	14	38	9.0	8.00	13	34	35
10.	A-UU41-151440D-T	15	14	40	9.0	8.00	13	36	37

DK – Dog Kennels - Aluminum – Single & Double Open Door(s) or Lid

Dog kennels boxes are heavy duty and offer a great way to transfer your dog and equipment. Dog boxes are designed with adjustable position locking air vents for proper circulation. Bottom is smooth and easy cleanable with rubber floor matting to keep your dog dry. Features include, fold down carrying handles and high secure locks. Boxes are available in different sizes, and can be ordered custom size. All AMERICAN TRUCKBOXES boxes are designed and built to keep your equipment safe and secure.

Description

- An engineered aluminum and/or powder coated construction
- Fully seam welded on all seams and corners
- Stainless Steel continuous hinge full length of door or lid
- Unique design for perfect fit and looks
- Channel braced reinforced lid with gas springs on chest box
- Lockable stainless steel latches
- Adjustable lock striker for positive weather seal
- Automotive type weather seal
- Automotive style latch with smooth rotary action
- Rubber pad inside floor to keep dog dry
- Mounting kit included with chest box – M3202D



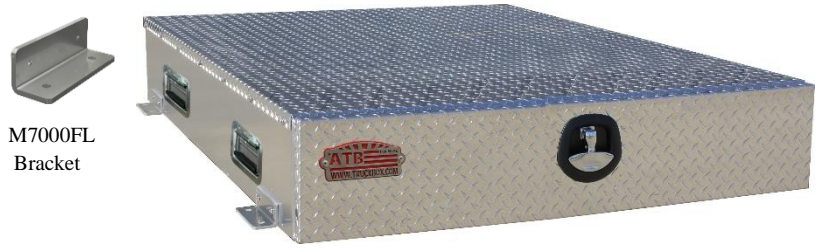
Note: *Boxes are available in: Black (B) and Forest Green (G) Finish – add after part number.

No.	Model Number	Material	Height (in.)	Chest (in.)	Depth (in.)	Width (in.)	Weight (lb.)
Single Door – Side Opening Style							
1.	A-DK31-182824S-TT	.063 TP	18	N/A	28	24	32
2.	A-DK31-243224S-TT	.063 TP	24	N/A	32	24	40
3.	A-DK31-243824S-TT	.063 TP	24	N/A	38	24	44
4.	A-DK31-303824S-TT	.063 TP	30	N/A	38	24	50
5.	A-DK32-242824S-TT	.063 TP	24	6	28	24	40
6.	A-DK32-303224S-TT	.063 TP	30	6	32	24	50
7.	A-DK32-303824S-TT	.063 TP	30	6	38	24	55
8.	A-DK32-363824S-TT	.063 TP	36	6	38	24	64
Double Door – Side Opening Style with Divider							
9.	A-DK31-182846D-TT1	.063 TP	18	N/A	28	46	52
10.	A-DK31-243246D-TT1	.063 TP	24	N/A	32	46	64
11.	A-DK31-243846D-TT1	.063 TP	24	N/A	38	46	72
12.	A-DK31-303846D-TT1	.063 TK	30	N/A	38	46	82
13.	A-DK32-242846D-TT1	.063 TP	24	6	28	46	65
14.	A-DK32-303246D-TT1	.063 TP	30	6	32	46	80
15.	A-DK32-303846D-TT1	.063 TP	30	6	38	46	90
16.	A-DK32-363846D-TT1	.063 TK	36	6	38	46	102



BPS – Pullout Bed-Pack Sports Storage Drawer Boxes – Aluminum – Single Pullout Drawer

Bed-Pack sport boxes are heavy duty and offer easy access to your hunting gear and hunting tools. Boxes can be mounted on truck boxes, flatbeds, or trailers. These boxes are perfect for storing your hunting equipment, tools and personal gear. Bed-pack sport boxes are available in different sizes and can be ordered custom size. All AMERICAN TRUCKBOXES boxes are designed and built to keep your equipment safe and secure.

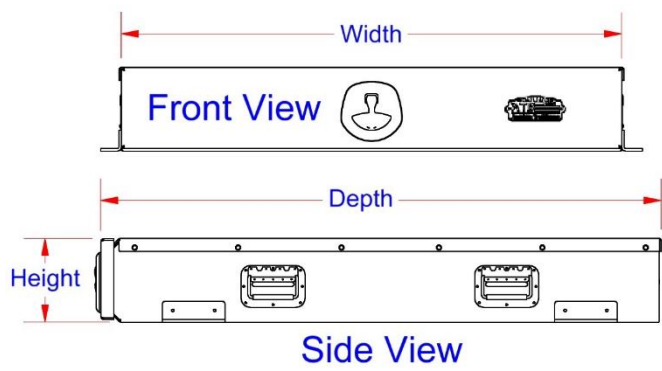


M7000FL Bracket

Description	
• An engineered aluminum construction	
• Fully seam welded on all seams and corners	
• Channel braced reinforced top and bottom	
• Lockable SS Dolphin Tail HD adjustable T-handle latch	
• Automotive type weather seal	
• Heavy duty drawer slides with smooth rolling action	
• Side retractable carrying handles	
• Drawers dividers for organization	
• Optional - Foam in drawer 1" thick - cut to fit gear: LFS-PU-1B	
• Optional – Top sliding tray (BT51 Series)	
• Optional - Mounting end gate cross foot channel (M7000FC)	
• Mounting L-brackets (M7000FL)	



A-BPS41-123644 Trunk Box



M7000FC Bracket

Optional: Top Slide Out Tray
Installed on Top of Bed-Pack

No.	Model Number	Material	Height (in.)	Depth (in.)	Width (in.)	Drawer Height Inside "A" (in.)	Drawer Width Inside B (in.)	Weight (lb.)
1.	A-BPS41-85224-T1	.090 Smooth/.100 TP	8	52	24	5.0	19-1/2"	54
2.	A-BPS41-86424-T1	.090 Smooth/.100 TP	8	64	24	5.0	19-1/2"	70
3.	A-BPS41-87624-T1	.090 Smooth/.100 TP	8	76	24	5.0	19-1/2"	85
4.	A-BPS41-84848-T1	.090 Smooth/.100 TP	8	48	48	5.0	19-1/2"	114
5.	A-BPS41-85248-T1	.090 Smooth/.100 TP	8	52	48	5.0	43-1/2"	122
6.	A-BPS41-86448-T1	.090 Smooth/.100 TP	8	64	48	5.0	43-1/2"	150
7.	A-BPS41-87648-T1	.090 Smooth/.100 TP	8	76	48	5.0	43-1/2"	178
8.	A-BPS41-123644-T1	.090 Smooth/.100 TP	12	36	44	9.0	39-1/2"	110

GC – Gear Cabinets – Aluminum or Steel

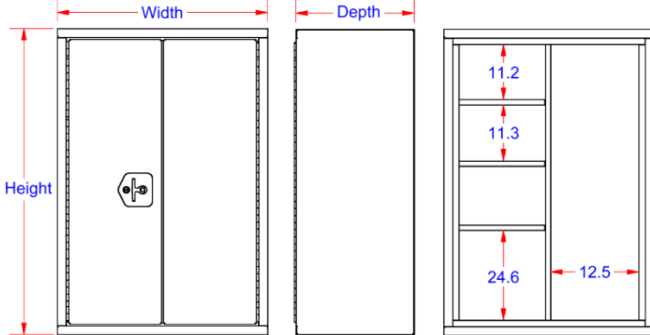
Gear cabinets are heavy duty and offer a great way to store your scuba diving equipment, hunting gear, fishing gear, guns and/or working gear. Cabinets can be mounted on wall or stand alone on floor. Cabinets can be ordered in custom sizes. All AMERICAN TRUCKBOXES cabinets are designed and built to keep your gear organized and safe.

Description

- An engineered aluminum and/or steel construction
- Fully seam welded on all seams and corners
- Stainless steel continuous hinge full length of door
- Channel braced reinforced door & automotive door seal
- Lockable stainless steel T-handle latch with 3-Point locking system
- Heavy duty shelves – optional powder coated finished



AGC41-651830DD-SOT Powder Coated Red



No.	Model Number	Material	Height (in.)	Depth (in.)	Width (in.)	Doors	Hooks	Shelves	Center Divider	Weight (lbs.)
1.	A-GC41-651812SL-T	.090 Smooth/ .100 TP	65	18	12	1	3	1	N/A	52
2.	A-GC41-651824SL-T	.090 Smooth/ .100 TP	65	18	24	1	3	3	N/A	80
3.	A-GC41-651830DL-T	.090 Smooth/ .100 TP	65	18	30	2	3	3	Yes	96
4.	A-GC41-651836DL-T	.090 Smooth/ .100 TP	65	18	36	2	3	3	Yes	112

TCP – Pro-Hunter Boxes – Aluminum – Single Top Open Lid with Side Drawer

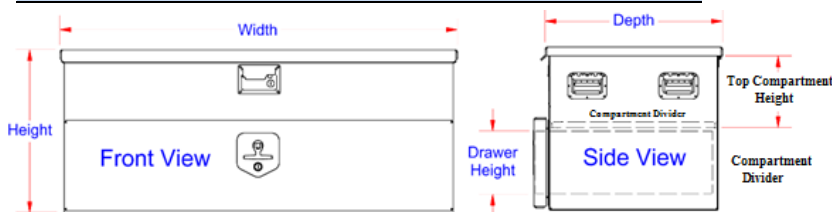
Pro-hunter boxes are heavy duty and offer great storage for hunting gear, tools and personal belongings and can be used as a bench. Pro-hunter boxes come in different sizes and can be custom sized. All AMERICAN TRUCKBOXES boxes are designed and built to keep your hunting gear safe and secure.

Description

- An engineered aluminum construction – optional powder coat finish.
- Fully seam welded on all seams and corners.
- Stainless steel latches and automotive type weather seal.
- Heavy duty recessed carrying handles
- Stainless Steel continues hinge full length of lid
- Heavy duty bottom drawer with 2” Foam



ATC41P Powder Coated Black



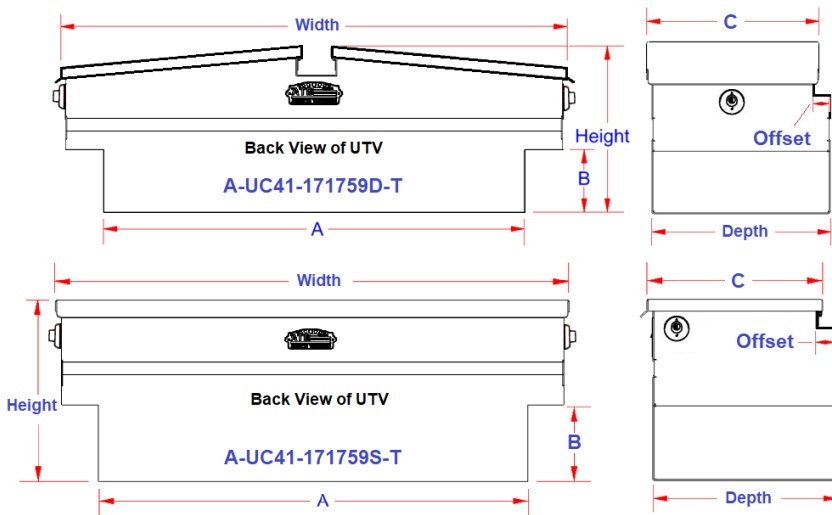
No.	Model Number	Material	Height (in.)	Depth (in.)	Width (in.)	Drawer (Qty.)	Drawer Height (in.)	Drawer Width (in.)	Offset Hinge	Weight (lb.)
1.	A-TCP41C-182048-T1	.090 Smooth/ .100 TP	18	20	48	1	7	42.5	No	68
2.	A-TCP41C-182058-T1	.090 Smooth/ .100 TP	18	20	58	1	7	52.5	No	86
3.	A-TCP42C-182048-T1	.090 Smooth/ .100 TP	18	20	48	1	7	42.5	Yes	64
4.	A-TCP42C-182058-T1	.090 Smooth/ .100 TP	18	20	58	1	7	42.5	Yes	82

UC – UTV Cross Boxes – Aluminum – Top Open Lid(s)

UTV cross boxes are heavy duty and offer a great way to transfer your tools, equipment, cargo, game and/or hunting gear. Boxes can be mounted on the back of UTV or many other applications. **Boxes are available in different sizes, come with sliding tray and can be ordered custom size.** All AMERICAN TRUCKBOXES boxes are designed and built to keep your equipment safe and secure.

Description

- An engineered .090 smooth / .100 tread aluminum construction
- Fully seam welded on all seams and corners
- Stainless steel continuous hinge full length of lid
- Unique design for perfect fit and looks
- Lockable automotive stainless-steel latch with smooth rotary action and adjustable lock striker for positive weather seal
- Channel braced reinforced lid with gas springs
- Sliding tray with adjustable dividers
- Fully concealed rain gutter and automotive type weather seal
- Mounting kit not included



Note: UTV's listed are design on demand; boxes can be ordered for any UTV vehicle. Double check your measurements.

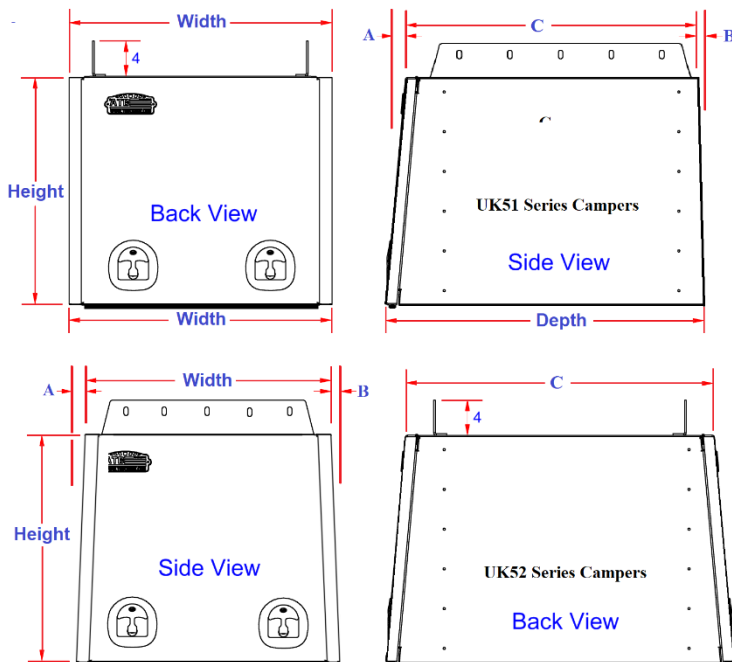
No.	Model Number	UTV	Material	Height (in.)	Depth (in.)	Width (in.)	A (in.)	B (in.)	C (in.)	Offset (in.)	Weight (lb.)
1.	A-UC41-171359D-T	JD Gator/Polaris Kubota CAM-DEF	.090 S/ .100 TP	17	13	59	50.5	7.0	11	1.5	65
2.	A-UC41-171759D-T	JD Gator/Polaris Kubota CAM-DEF	.090 S/ .100 TP	17	17	59	50.5	7.0	15	1.5	72
3.	A-UC41-171359S-T	JD Gator/Polaris Kubota CAM-DEF	.090 S/ .100 TP	17	13	59	50.5	7.0	11	1.5	52
4.	A-UC41-171759S-T	JD Gator/Polaris Kubota CAM-DEF	.090 S/ .100 TP	17	17	59	50.5	7.0	15	1.5	58

UK – UTV Camper – Aluminum – Double Side Open Doors

UTV Camper boxes are heavy duty and offer a great way to transfer your tools, equipment, cargo, game and/or fishing & hunting gear. Boxes can be mounted on the back of UTV or many other applications. **Boxes are available in different sizes, with or without shelf or rack and can be ordered custom size.** All AMERICAN TRUCKBOXES boxes are designed and built to keep your equipment safe and secure.

Description

- An engineered .090/.125 smooth /.100 TP aluminum construction
- Fully seam welded on all seams and corners
- Stainless steel continuous hinge on full length of door
- Unique design for perfect fit and looks
- Channel braced reinforced Door with gas springs
- Lockable automotive stainless-steel latch with smooth rotary action and adjustable lock striker for positive weather seal
- Fully concealed rain gutter and automotive type weather seal
- Adjustable: inside shelf
- Top racks with easy tie down holes
- Mounting kit not included



Note: UTV's listed are design on demand; boxes can be ordered for any UTV vehicle. Double check your measurements.

No.	Model Number	UTV	Height (in.)	Depth (in.)	Width (in.)	Dim. "A" (in.)	Dim. "B" (in.)	Door Opening Height (in.)	Door Opening Width (in.)	Weight (lbs.)
1.	A-UK51R-284159ST-T1BX	Polaris 1000 CAM-DEF	28	41	59	2.0	3/4	26	54	150
2.	A-UK51R-284459ST-T1BX	Kubota 1100	28	44	59	2.0	3/4	26	26	162
3.	A-UK51R-284859ST-T1BX	JD 835R	28	48	59	2.0	3/4	26	26	172

UU – UTV Utility Boxes – Aluminum – Double Side Open Doors

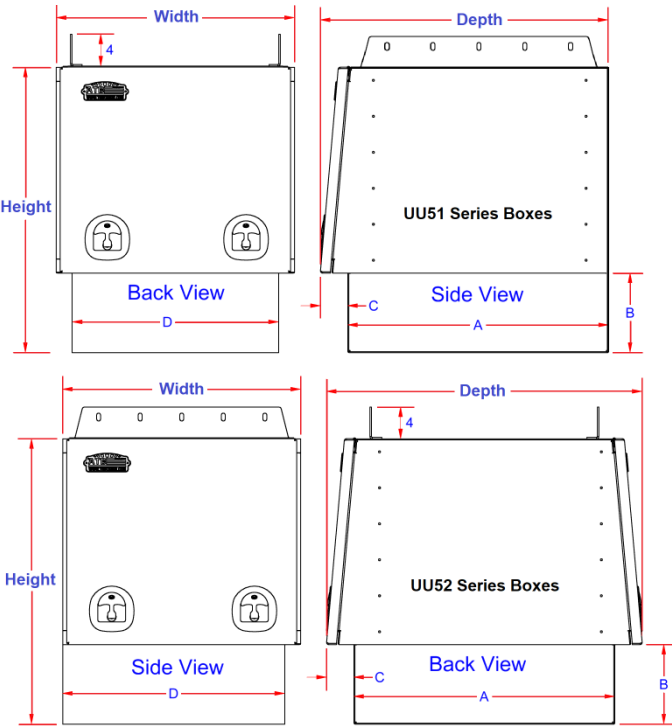
UTV Utility boxes are heavy duty and offer a great way to transfer your tools, equipment, cargo, game and/or fishing & hunting gear. Boxes can be mounted on the back of UTV or many other applications. **Boxes are available in different sizes, with or without shelf or rack and can be ordered custom size.** All AMERICAN TRUCKBOXES boxes are designed and built to keep your equipment safe and secure.

Description

- An engineered .090/.125 smooth /.100 TP aluminum construction
- Fully seam welded on all seams and corners
- Stainless steel continuous hinge on full length of door
- Unique design for perfect fit and looks
- Channel braced reinforced Door with gas springs
- Lockable automotive stainless-steel latch with smooth rotary action and adjustable lock striker for positive weather seal
- Fully concealed rain gutter and automotive type weather seal
- Adjustable: inside shelf
- Top racks with easy tie down holes
- Mounting kit not included



UU51 Series



UU52 Series

Note: UTV's listed are design on demand; boxes can be ordered for any UTV vehicle. Double check your measurements.

No.	Model Number	UTV	Height (in.)	Depth (in.)	Width (in.)	Dim. "A" (in.)	Dim. "B" (in.)	Dim. "D" (in.)	Door Opening Height (in.)	Door Opening Width (in.)	Weight (lbs.)
1.	A-UU51R-403960ST-T1BX	Polaris 1000 CAM-DEF	40	39	60	36	12-1/2	48	22	55	169
2.	A-UU51R-404260ST-T1BX	Kubota 1100	40	42	60	39	11-1/2	56	23	55	182
3.	A-UU51R-404660ST-T1BX	JD 835R	40	46	60	44/T4	13-1/2	48	21	55	192
4.	A-UU52R-406039DT-T1BX	Polaris 1000 CAM-DEF	40	60	39	48	12-1/2	36	22	34	180
5.	A-UU52R-406041DT-T1BX	Kubota 1100	40	60	41	56	11-1/2	39	23	36	192
6.	A-UU52R-406046DT-T1BX	JD 835R	40	60	46	48	13-1/2	44/T4	21	41	202

TP - Trail Pro-Pak – Trailers - Aluminum

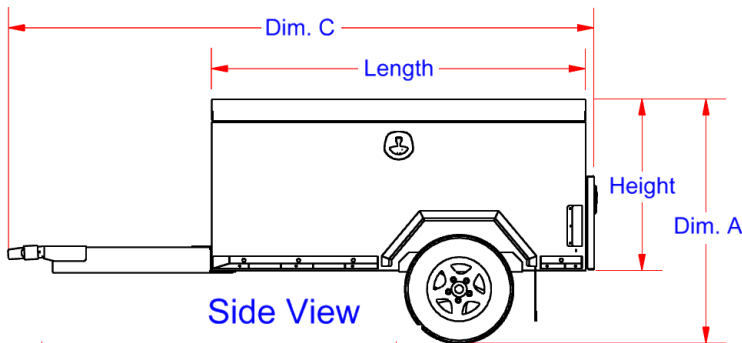
Trailers are heavy duty and offer a great way to transfer your personal belongings, hunting gear, tools and many other products you need to take with you to a jog site, hunting or camping trip or adventure. Trailers are available in different sizes and can be ordered custom size. All AMERICAN TRUCKBOXES trailers are designed and built to a quality you respect.

Description

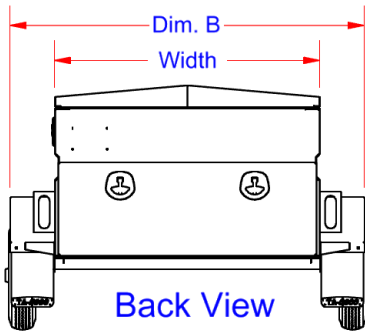
- An engineered aluminum construction
- Fully seam welded on all seams and corners
- Stainless steel continuous hinge on full length of lid
- Top open lid with gas springs
- Lockable stainless-steel latch with smooth rotary action
- Adjustable full-length lock striker for positive weather seal
- Optional top rack – with tie down holes: RSM Series
- LED lights
- Torflex axles with aluminum wheels
- Drawer storage compartment for tools and gear organization on larger models.
- Heavy duty slides for easy pull out



A-TP51H-367265S-S

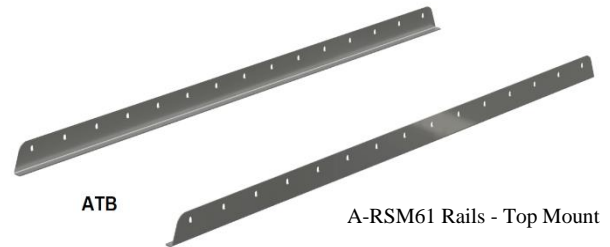


Side View



Back View

No.	Axel Size	Model
1.	250	A
2.	500	B
3.	750	C
4.	1000	D
5.	1250	E
6.	1500	F
7.	1750	G
8.	2000	H
9.	2250	I
10.	2500	J



ATB

A-RSM61 Rails - Top Mount

Note: Measurements and weight may vary and will change with trailer design and added options.

No.	Model Number	Material (gauge)	Height (in.)	Length (in.)	Width (in.)	Dim. A	Dim. B	Dim. C	Axles (lbs.)	Wheel Base C/C	Tire (size)	Drawers (Optional)	Weight (lb.)
1.	A-TP50C-304858S-S	1/8" - 3/16	30	48	58	45	67	94	C-T750	64	145/12	No	345
2.	A-TP50C-364858S-S	1/8" - 3/16	36	48	58	52	67	94	C-T750	64	145/12	No	362
3.	A-TP50E-366065S-S	1/8" - 3/16	36	60	65	54	77	112	E-T1250	68	225/75-15	No	410
4.	A-TP50H-367265S-S	1/8" - 3/16	36	72	65	54	77	124	H-T2000	68	225/75-15	No	440
5.	A-TP50H-368465S-S	1/8" - 3/16	36	84	65	54	77	136	H-T2000	68	225/75-15	No	490
6.	A-TP50J-429665S-S	1/8" - 3/16	42	96	65	60	77	148	J-T2500	68	225/75-15	No	560
7.	A-TP51H-367265S-S	1/8" - 3/16	36	72	65	54	77	126	H-T2000	68	225/75-15	Back	492
8.	A-TP51J-429665S-S	1/8" - 3/16	42	96	65	60	77	150	J-T2500	68	225/75-15	Back	615
9.	A-TP55E-368465S-S	1/8" - 3/16	36	84	65	54	77	138	H-T2000	68	225/75-15	3-Back/Sides	614
10.	A-TP55J-429665S-S	1/8" - 3/16	42	96	65	60	77	150	J-T2500	68	225/75-15	3-Back/Sides	745

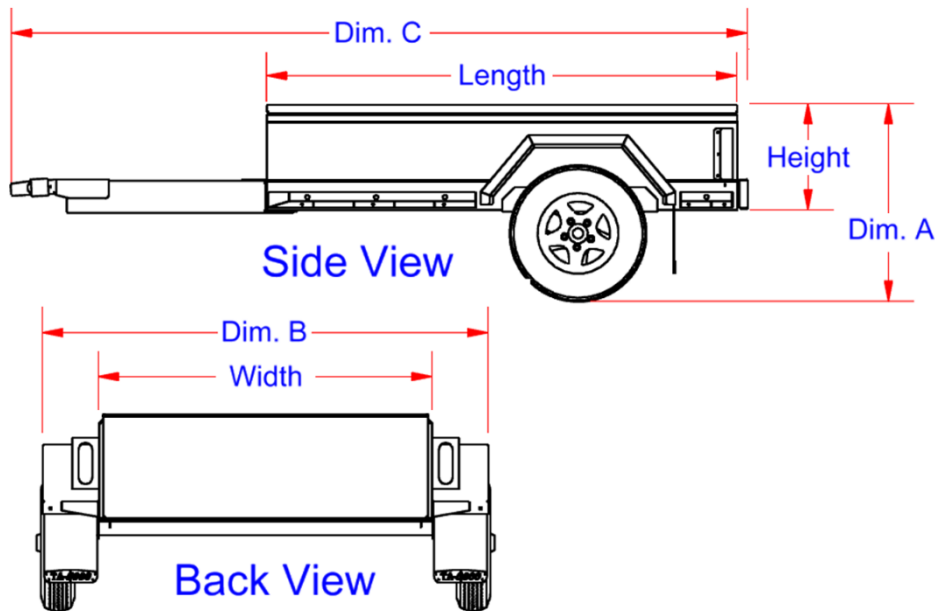
Note: Trailers are available in different configuration and custom sizes; call the factory for different sizes and options.

TF – Trail Flatbed – Trailers - Aluminum

Trailers are heavy duty and offer a great way to transfer your personal belongings, hunting gear, tools and many other products you need to take with you to a jog site, hunting or camping trip or adventure. Trailers are available in different sizes and can be ordered custom size. All AMERICAN TRUCKBOXES trailers are designed and built to a quality you respect.

Description

- An engineered aluminum construction
- Fully seam welded on all seams and corners
- Stainless steel continuous hinge on full length of end gate
- Lockable stainless-steel latch with smooth rotary action
- Optional top rack – with tie down holes
- LED lights
- Torflex axles with aluminum wheels
- Heavy duty slides for easy pull out



Note: Measurements and weight may vary and will change with trailer design and added options.

No.	Model Number	Material (gauge)	Height (in.)	Length (in.)	Width (in.)	Dim. A	Dim. B	Dim. C	Axles (lbs.)	Tire (size)	Weight (lb.)
1.	A-TF50-64856S-S	1/8" - 3/16	16	48	49	31	67	92	T750	145/12	238
2.	A-TF50-66054S-S	1/8" - 3/16	16	60	55	34	77	103	T1200	225/75-15	280
3.	A-TF50-67254S-S	1/8" - 3/16	16	72	55	34	77	115	T1200	225/75-15	298
4.	A-TF50-68472D-S	1/8" - 3/16	16	84	55	34	77	127	T2000	225/75-15	325
5.	A-TF60-69672D-S	3/16" – 1/4"	16	96	55	34	77	139	T2500	225/75-15	360

Note: Trailers are available in different configuration and custom sizes; call the factory for different sizes and options.

M3200 Series = Top Deck Mount Application

Top deck mount brackets are used for mounting boxes to a deck or flat surface. All AMERICAN TRUCKBOXES mounting kits are designed and built to keep your boxes safe and secure.

Description

- Fasteners and Rubber
- Requires drilling on box and mounting surface

Part No.	Part Number	Box Series	Bolt Size	Weight Per Set	Load Rating
1.	M3200D	S20-S20RG A20RG	5/16"	2 lbs.	Bolt-N/A
2.	M3200D-DU2	SDU41-ADU41 SDU42-ADU42	5/16"	4 lbs.	Bolt-N/A



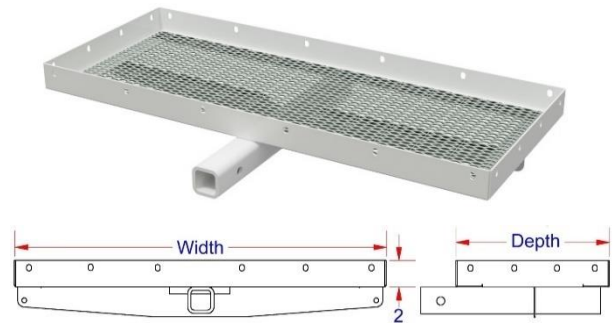
VH Series = Vehicle Hitch Hauler.

VH hitch hauler baskets are used to haul cargo, tool boxes & generator boxes. Custom sizes available. All AMERICAN TRUCKBOXES hitch haulers are designed and built to keep your products safe and secure.

Description

- Steel heavy duty construction – 1/4" T & 10g/7g – Powder Coated Finish

Part No.	Part Number	Application	Bolt Size	Load Rating	Weight Lbs.
1.	S-VH61-22436-W	2" Hitch Mount	1/2"	500 lbs.	52
2.	S-VH61-23042-W	2" Hitch Mount	1/2"	500 lbs.	66
3.	S-VH71-22436-W	2" Hitch Mount	1/2"	750 lbs.	74
4.	S-VH71-23042-W	2" Hitch Mount	1/2"	750 lbs.	88



LED Light

LED Lights – Side and Clearance Markers

Description

LED Lights

No.	Part Number	Color	Description	Shape	Measurement s (in)	Rating
1.	TAL75RR-R	Red	Domed - Side Marker & Clearance	Round-Domed	¾" Round	PC Rated-180 Deg
2.	TAL75AA-R	Amber	Domed - Side Marker & Clearance	Round-Domed	¾" Round	PC Rated-180 Deg
3.	TAL75AC-R	Amber/Clear	Domed - Side Marker & Clearance	Round-Domed	¾" Round	PC Rated-180 Deg
4.	TAL75CC-F	Clear	Side Marker & Clearance	Round-Flat	¾" Round	P2 Rated-45 Deg
5.	TAL75AC-F	Amber/Clear	Side Marker & Clearance	Round-Flat	¾" Round	P2 Rated-45 Deg
6.	TAL20RR-F	Red	Side Marker & Clearance	Round-Flat	2" Round	N/A
7.	TAL20AA-F	Amber	Side Marker & Clearance	Round-Flat	2" Round	N/A
8.	TAL25RR-F	Red	Side Marker & Clearance	Round-Flat	2-1/2" Round	N/A
9.	TAL25AA-F	Amber	Side Marker & Clearance	Round-Flat	2-1/2" Round	N/A
10.	TAL40RR-F	Red	Rear Marker - Stop/Tail/Turn	Round-Flat	4" Round	N/A
11.	TAL40AA-F	Amber	Rear Marker - Stop/Tail/Turn	Round-Flat	4" Round	N/A
12.	TAL40CC-F	Clear	Rear Marker & Light	Round-Flat	4" Round	N/A
13.	TAL62RR-F	Red	Rear Marker - Stop/Tail/Turn	Oval-Flat	6"x 2" Oval	N/A
14.	TAL62CC-F	Clear	Rear Marker, Light & Backup	Oval-Flat	6"x 2" Oval	N/A
Grommets & Pigtailes						
15.	TAG20-B	Black	Rubber Grommet	Round	2" Round	N/A
16.	TAG25-B	Black	Rubber Grommet	Round	2.5" Round	N/A
17.	TAG40-B	Black	Rubber Grommet	Round	4" Round	N/A
18.	TAG62-B	Black	Rubber Grommet	Round	6"x 2" Oval	N/A
19.	TAP15-2	Black	Pigtail 2-Prong - 6" Pigtail	N/A	6"	N/A
20.	TAP15-3	Black	Pigtail 3-Prong 90 Deg.- 12" Pigtail	N/A	12"	N/A



TAL75AA-R



TAL25RR-R



TAL40AA-R

TAL62RR-FR



TAG40-B

TAG62-B



No.	Part Number	Color	Description	Shape	Measurement s H x D x W (in)	Rating/Lumens
21.	TALW-CF-2	Clear	Steel Head Work Flood Lamps	Rect. - Flat	3 x 2 x 6.2	IP68/750
22.	TALW-CF-4	Clear	Steel Head Work Flood Lamps	Rect. - Flat	4 x 2 x 3	IP68/1100
23.	TALW-CF-6	Clear	Steel Head Work Flood Lamps	Rect. - Flat	3.1 x 2 x 6.2	IP68/1900

No.	Part Number	Color	Description	Shape	Measurement s H x D x W (in)	Rating/Lumens
24.	TALA-CL-1	Clear-Cool	Poly Area Work Lamps - 180°	Rect.- Round	1 x 2.75 x 4.5	N/A/800
25.	TALA-CL-2	Clear-Cool	Steel Area Work Lamps - 180°	Rect.- Round	1.4 x 2.75 x 13	IP68/750
26.	TALA-CL-4	Clear-Cool	Steel Area Work Lamps - 180°	Rect.- Round	1.4 x 2.75 x 20	IP68/1500
27.	TALA-CL-6	Clear-Cool	Steel Area Work Lamps - 180°	Rect.- Round	1.4 x 2.75 x 35	IP68/3000



TALA-CL-1

Parts

Tool Box Parts

Description

Parts

Part Number	Description	Mounting Holes (in)	Weight
1A050	T-Handle - Fixed	3/16	N/A
1A060-DT	T-Handle (Dolphin Tail) - Adjustable	3/16	N/A
1A010-50-SS	Handle – Surface Stainless Steel	1/4	N/A
1A291	Handle – Surface Mount Chest Handle	1/4	N/A
1A086-861-SS	Tie Down Stainless Steel	1/4	N/A
1A831	Weather Seal Push-On	¾	N/A
1A120	Weather Seal Glue-On	5/8	N/A



Specification:

Decoding Part Number	A - CS 4 1 C - N 18 18 48 S D - T T B 4	
Decoding Type Number:	_____	Drawer, Shelves or Tank Count:
A=Aluminum		Option Powder Coat Finish:
S=Steel		C=Clear / B=Black / W=White
SS=Stainless Steel		Finish Door or Lid:
Series of Box:	_____	S=Smooth / T=Diamond Tread Finish
Duty:	_____	M=Mirror
3=Medium Duty --- (16g Steel / 16g or .63Alum)		Finish Body:
4=Heavy Duty --- (14g Steel / 14g or .100 Alum)		S=Smooth / T=Diamond Tread Finish
5=Super Heavy Duty (12g Steel / 10g or .125 Alum)		Door & Lid Position:
6=Mega Heavy Duty (10g Steel / 07g or .190 Alum)		D=Drop Open / T=Top Open/Hinged
Style of Box:	_____	L=Side Open Left / R=Side Open Right
Box Steps or Lock Position:	_____	P=Pull Out
S=Strut Steps / L=Laser Steps		Door or Lid Configuration:
C=One Lock Centered / B=Both Left and Right Lock		S=Single Door/Lid / D=Double Door/Lid
Box Modification:	_____	T=Triple Door
N=Notched		Size No. 3:
Size No. 1:	_____	Width
Height		
Size No. 2:	_____	
Depth		

Special Notice: This manual contains drawings and written material, which are for the sole purpose of mounting and providing guidelines for installing our boxes and/or equipment in various configurations. Keep in mind that these are only intended as guidelines and not to be construed as construction drawings or specifications.

America Truckboxes, LLC shall not be responsible in any way for anything other than the providing of equipment and materials ordered. Guidelines shown in this manual may not meet or be in accordance with local, state, or federal regulations in effect at time of installation. American Truckboxes, LLC has the right to make changes in design at any time without notice.

Office Hours: Monday through Friday - 8:00am to 12:00am and 1:00pm to 5:00pm

American Truckboxes, LLC. 15750 - 6th Street SE, Blanchard, ND 58009

Phone: (888) 996-0376 **Email:** sales@truckbox.com

For installation guidelines, visit our web page at: www.truckbox.com and download our installation manual.

AMERICAN TRUCKBOXES, LLC. - LIMITED WARRANTY

This LIMITED WARRANTY is made by American Truckboxes, LLC, 15750 - 6th Street SE, Blanchard, North Dakota 58009 to the original retail purchaser of American Truckboxes, LLC products. If you have any questions or need assistance regarding this warranty and the warranty of your product, please call our customer service department at: (888) 996-0376, between the hours 8:00AM to 5:00PM CST. This warranty applies to all product purchased on or after January 1, 2019.

AMERICAN TRUCKBOXES, LLC WARRANTS THAT THIS PRODUCT WILL BE FREE FROM DEFECTS IN MATERIAL AND WORKMANSHIP FOR A PERIOD OF SIXTY (60) MONTHS ON STANDARD BOXES, TWELVE (12) MONTHS ON CUSTOM BOXES (MODIFIED OR SPECIAL DESIGN TO CUSTOMER SPECIFICATIONS) AND TWELVE (12) MONTHS ON AUXILIARY TANKS, FROM DATE OF PURCHASE BY THE ORIGINAL RETAIL PURCHASER ONLY. THIS WARRANTY TERMINATES IF THE ORIGINAL PURCHASER TRANSFERS THE AMERICAN TRUCKBOXES, LLC PRODUCT TO ANY OTHER PERSON.

If purchaser discovers that the product fails to fulfill the warranty before the warranty period, original purchaser must promptly contact American Truckboxes, LLC in writing of the nonconformity, to make arrangement for an inspection of this product. A copy of the original sales receipt must be supplied to the manufacturer at the time a warranty claim is made. If American Truckboxes, LLC determines a defect exists, American Truckboxes, LLC shall, at its option and expense, repair or replace any defective parts. All warranty repairs shall be made by an authorized American Truckboxes, LLC product dealer or American Truckboxes LLC approved service man. Any part or parts of the goods not manufactured by American Truckboxes LLC are not warranted for any purpose.

This warranty shall not apply or expressly exclude, if the American Truckboxes, LLC product has been subject to an accident, normal wear and tear, cosmetic rust, scratches, unlawful vehicle operation, act of God, improper maintenance, misuse or alteration made by anyone other than American Truckboxes, LLC or a product dealer of American Truckboxes, LLC approved service personal or company. Defects resulting from conditions beyond the manufacturer control, but not limited to, overloading, misuse or failure to assemble or mount the product according to the manufacturer's installation guide line, written instructions or damage to the contents of the box or vehicle.

Purchaser must deliver written notice of any claimed defect or failure covered by this Limited Warranty within thirty (30) days after discovery. Such notice must specify the date of purchase as well as the nature of the defect or failure.

THE WARRANTY PRINTED ABOVE IS THE ONLY WARRANTY TO THIS PURCHASE. ALL OTHER WARRANTIES, EXPRESS OR IMPLIED, INCLUDING BUT NOT LIMITED TO THE IMPLIED WARRANTIES OF MERCHANTABILITY AND FITNESS FOR A PARTICULAR PURPOSE ARE HEREBY DISCLAIMED.



American Made Products

Advantages & Benefits

Why Choose American Truckboxes?

American Truckboxes is a USA Manufacturer that specialize in manufacturing heavy duty truck storage equipment or tool boxes for the truck and trailer industry for over 25 Years.

We use only the highest quality material, parts and heavy gauge steel or aluminum. **All our steel boxes are primed and top coated with zinc epoxy primer and a super durable baked topcoat powder coat finish.**

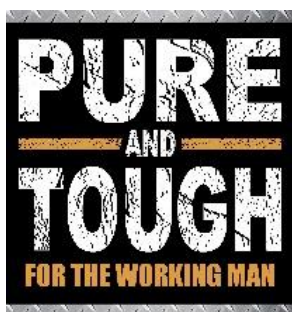
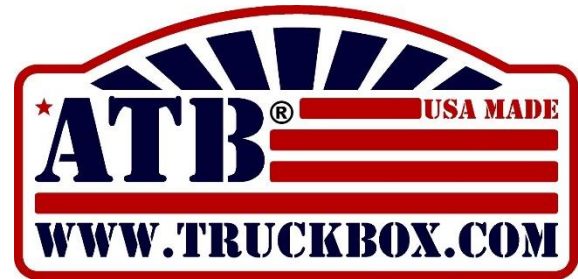
Our primary focus is using heavy-duty stainless-steel hinges, lid supports, heavy duty dual gas springs, easy workable dividers, shelves, trays, automotive weather stripping, superior anti-theft designs and lock systems designed to withstand severe weather conditions and much, much more.

Is an American Truckboxes Box Right For Me?

American Truckboxes boxes are available in many sizes, appropriate for any size truck or vehicle. They may be installed on either new or pre-owned trucks. We know your truck, tools and equipment is everything to you, so we design our products based on what we hear back from you. Your knowledgeable American Truckboxes dealer or representative can help select, the best box that is best for you.

Do I get a warranty with this product?

All products come with a limited warranty for defects in material and workmanship (see www.truckbox.com for full warranty detail). American Truckboxes, LLC. is dedicated to continuous product research, development and reserves the right to change design and specifications without notice.



WWW.TRUCKBOX.COM