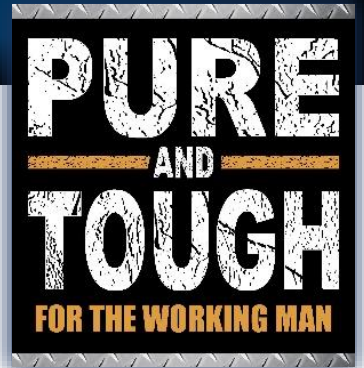




American Truckboxes

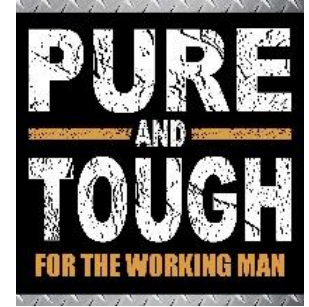
Heavy Truck & Trailer Catalog



Secure and Trusted

Quality Built Storage Equipment

American Truckboxes, LLC is an innovative designer of storage products for the transportation and service industries manufacturing steel, stainless steel, and aluminum products.



American Truckboxes, LLC.

American Truckboxes is your *One-Stop* source for industrial commercial toolboxes and has the most extensive range of storage products in the United States. With such a diverse range of products, outstanding designs, and engineering staff, American Truckboxes can design and manufacture storage products for almost any requirement.

While the primary focus of products is for the work truck industry, American Truckboxes also designs and manufactures many specialty and customized products. Call us with your idea and we will help you design a solution. We use 3D CAD software to design all the products we manufacture.

Introduction:

The purpose of this manual is to familiarize you with our company and our products. You will be able to use this manual to help you select the right product for the right job.

Our Mission:

To Be The Best Box Manufacturing Company In The Industry Today, Not The Biggest.

To furnish quality equipment, to those who will benefit from it at a competitive price. To provide follow-up service better than any other supplier. To be so good at what we do that you will never have a need to look elsewhere.



New: Dolphin Tail Latch with Roller

Index Page

No.	Model	Contents	Page	No.	Model	Contents	Page
Boxes for The Trucker							
1.	SB/SF	Step Boxes	3-5	6.	TC	Top Chest Boxes	10
2.	SO	Step Oil Reservoirs	6	7.	RB/RC/CR	Rack Chain Boxes	11-13
3.	BB	Battery Boxes	7	8.	SG/SR/UG	Underbody Boxes	14-24
4.	IB	In-Frame Boxes	8	9.	CG	Cargo Boxes	25-30
5.	DP	Deck Plates	9	10.	PE	Panel Boxes	31
Mounting Brackets and Misc. Items							
1.	M-L	Mounting Brackets	32-34	7.	SP/SA	Steps	38
2.	CH	Chain Hangers	35	8.	GH	Grab Handles	39
3.	SU/SF	Shelves	36	9.	TA	LED Lights	40
4.	LH	Strobe Light Holders	37	10.	ATB	Special Notice & Company Info	41
5.	LB/BB	Light Bars	37	11.	WA	Warranty	41
6.	TJ	Trailer Junction Box	38				

For Installation Guidelines and recommendation, visit our web page at: www.truckbox.com and download our installation manual.

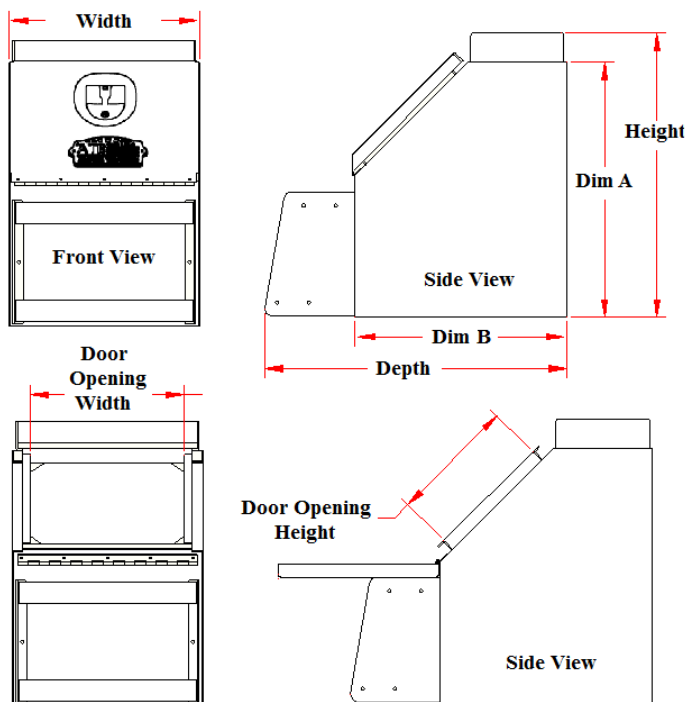
SB - Step Saddle Boot Boxes - Aluminum Single Drop Open Door

Step saddle boot boxes are super heavy duty, high capacity and offer easy access from side of the truck. Boxes are available with or without steps. Step boxes are available in different sizes, ranging from 12" to 48" or can be ordered in custom widths. All AMERICAN TRUCKBOXES boxes are designed and built to keep your equipment safe and secure.

Description

- An engineered aluminum construction
- Fully seam welded on all seams and corners
- Stainless steel continuous hinge on full length of lid
- Replaceable top and bottom steps and mounts
- Laser cut strut grip steps (S), or no steps
- **Reinforced .188 (7g) back for a more secure mounting**
- Lockable SS Dolphin Tail HD adjustable T-handle latch
- All corners are gusseted for added strength and durability
- Fully concealed rain gutter, with automotive type weather seal
- Mounting kit not included: (Kits Av.= M3000H • M3000C • M2100C)

Reinforced Inside
Corners for Mounting



Note: Box door is available in: Standard = Smooth (S) or for Diamond Tread (T) and Mirror (M) - change end of part number.

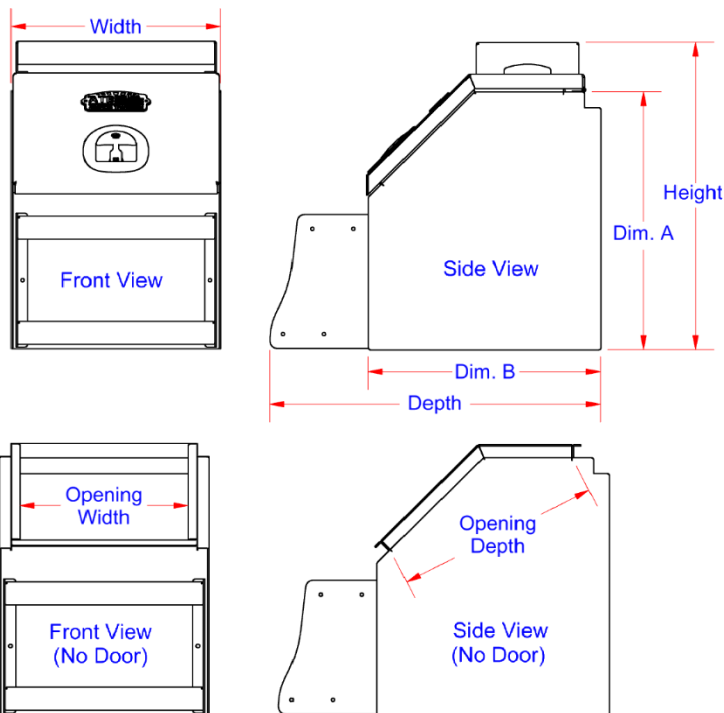
No.	Model Number	Material	Height (in.)	Depth (in.)	Width (in.)	Dim "A" (in)	Dim "B" (in)	Door Opening Height (in.)	Door Opening Width (in.)	Weight (lb.)
1.	A-SB51-242012D-S	.125 Smooth	24	20	12	No Step	No Step	11-3/4	8-3/8	38
2.	A-SB51-242018D-S	.125 Smooth	24	20	18	No Step	No Step	11-3/4	14-3/8	45
3.	A-SB51-242024D-S	.125 Smooth	24	20	24	No Step	No Step	11-3/4	20-3/8	52
4.	A-SB51S-262812D-S	.125 Smooth	26-3/4	28-1/4	12	24	20	11-3/4	8-3/8	44
5.	A-SB51S-262818D-S	.125 Smooth	26-3/4	28-1/4	18	24	20	11-3/4	14-3/8	53
6.	A-SB51S-262824D-S	.125 Smooth	26-3/4	28-1/4	24	24	20	11-3/4	20-3/8	62
7.	A-SB51S-262830D-S	.125 Smooth	26-3/4	28-1/4	30	24	20	11-3/4	26-3/8	74
8.	A-SB51S-262836D-S	.125 Smooth	26-3/4	28-1/4	36	24	20	11-3/4	32-3/8	81
9.	A-SB51S-262848D-S	.125 Smooth	26-3/4	28-1/4	48	24	20	11-3/4	44-3/8	98

SB – Step Saddle Boot Boxes - Aluminum Single Bottom Open Door

Step saddle boot boxes are super heavy duty, high capacity and offer easy access from side of the truck. Boxes are available with or without steps. Step boxes are available in different sizes, ranging from 12” to 48” or can be ordered in custom widths. All AMERICAN TRUCKBOXES boxes are designed and built to keep your equipment safe and secure.

Description

- An engineered aluminum construction
- Fully seam welded on all seams and corners
- Stainless steel continuous hinge on full length of lid
- Replaceable top and bottom steps and mounts
- Laser cut strut grip steps (S), or no steps
- **Reinforced .188 (7g) back for a more secure mounting**
- Lockable SS Dolphin Tail HD adjustable T-handle latch
- All corners are gusseted for added strength and durability
- Fully concealed rain gutter, with automotive type weather seal
- Mounting kit not included: (Kits Av.= M3000H • M3000C • M2100C)



Note: Box door is available in: Standard = Smooth (S) or for Diamond Tread (T) and Mirror (M) - change end of part number.

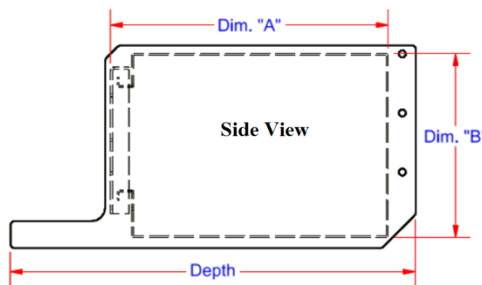
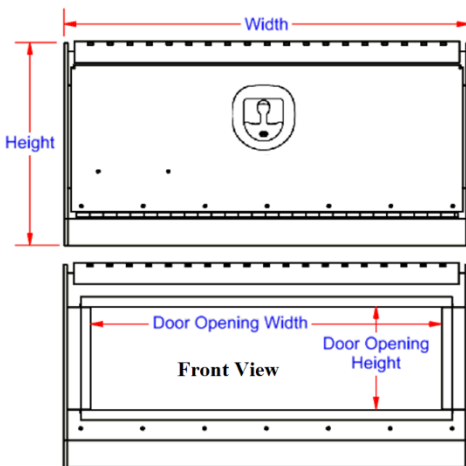
No	Model Number	Material	Height (in.)	Depth (in.)	Width (in.)	Dim "A" (in)	Dim "B" (in)	Door Opening Height (in.)	Door Opening Width (in.)	Weight (lb.)
1.	A-SB51-242012T-S	.125 Smooth	24	20	12	No Step	No Step	17-1/2	8-3/8	38
2.	A-SB51-242018T-S	.125 Smooth	24	20	18	No Step	No Step	17-1/2	14-3/8	45
3.	A-SB51-242024T-S	.125 Smooth	24	20	24	No Step	No Step	17-1/2	20-3/8	52
4.	A-SB51S-262812T-S	.125 Smooth	26-3/4	28-1/4	12	24	20	17-1/2	8-3/8	45
5.	A-SB51S-262818T-S	.125 Smooth	26-3/4	28-1/4	18	24	20	17-1/2	14-3/8	54
6.	A-SB51S-262824T-S	.125 Smooth	26-3/4	28-1/4	24	24	20	17-1/2	20-3/8	63
7.	A-SB51S-262830T-S	.125 Smooth	26-3/4	28-1/4	30	24	20	17-1/2	26-3/8	75
8.	A-SB51S-262836T-S	.125 Smooth	26-3/4	28-1/4	36	24	20	17-1/2	32-3/8	82
9.	A-SB51S-262848T-S	.125 Smooth	26-3/4	28-1/4	48	24	20	17-1/2	44-3/8	99

SF – Step Frame Boxes - Aluminum Single Drop & Bottom Open Door

Step frame boxes are super heavy duty, medium capacity and offer easy access from side of truck. Boxes can be mounted to truck frame with L-channel bolt-on mount brackets. These boxes are perfect for storing your equipment, like chains, binder, straps, tarps, or your personal gear or tools. Truck boxes are available in different sizes and can be ordered custom size. All AMERICAN TRUCKBOXES boxes are designed and built to keep your equipment safe and secure.

Description

- An engineered aluminum construction
- Fully seam welded on all seams and corners
- Stainless steel continuous hinge on full length of door
- Fully concealed rain gutter with automotive weather seal
- Lockable SS Dolphin Tail HD adjustable T-handle latch
- Corners are gusseted for added strength and durability
- Strut grip steps (S) or no steps
- Aircraft-type nylon coated door cable
- Mounting kit not included: (Kits Av. = M3050C (add 20lbs. to weight))



Mirror Finish



Note: Box door is available in: Standard = Smooth (S) or for Diamond Tread (T) and Mirror (M) - changer end of part number.

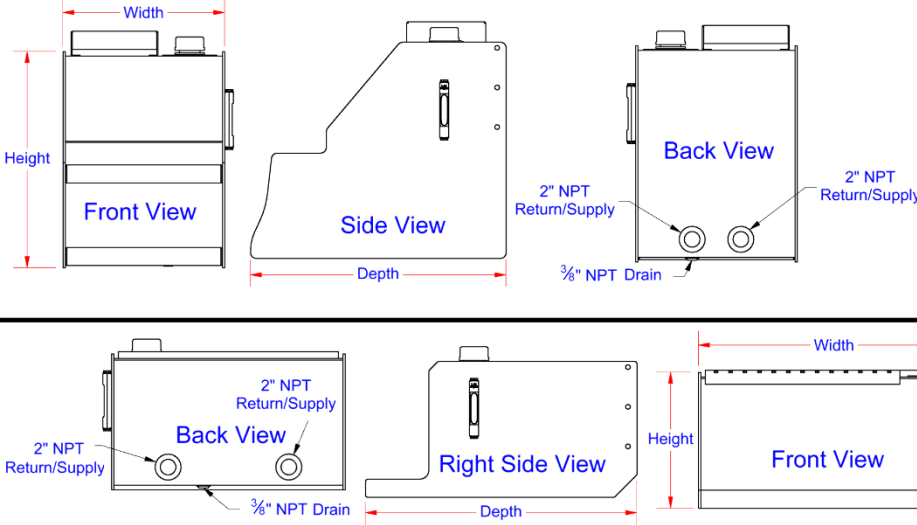
No.	Model Number	Material	Height (in.)	Depth (in.)	Width (in.)	Door Opening Height (in.)	Door Opening Width (in.)	Dim "A" (in)	Dim "B" (in)	Weight (lb.)
1.	A-SF51-152324D-S	.125 Smooth	15	23	24	7.0	18.0	18-3/4	13-5/8	42
2.	A-SF51-152330D-S	.125 Smooth	15	23	30	7.0	24.0	18-3/4	13-5/8	51
3.	A-SF51-212330D-S	.125 Smooth	21	23	30	13.0	24.0	18-3/4	19-5/8	56
4.	A-SF51S-153024D-S	.125 Smooth	15	30	24	7.0	18.0	18-3/4	13-5/8	69
5.	A-SF51S-153030D-S	.125 Smooth	15	30	30	7.0	24.0	18-3/4	13-5/8	75
6.	A-SF51S-213030D-S	.125 Smooth	21	30	30	13.0	24.0	18-3/4	19-5/8	90
7.	A-SF51S-273034D-S	.125 Smooth	27	30	34	19.0	28.0	18-3/4	25-5/8	110
8.	A-SF51S-153024T-S	.125 Smooth	15	30	24	10.0	18.0	18-3/4	13-5/8	69
9.	A-SF51S-153030T-S	.125 Smooth	15	30	30	10.0	24.0	18-3/4	13-5/8	75
10.	A-SF51S-213030T-S	.125 Smooth	21	30	30	16.0	24.0	18-3/4	19-5/8	90
11.	A-SF51S-273034T-S	.125 Smooth	27	30	34	22.0	28.0	18-3/4	25-5/8	116

SO - Step Oil Reservoir Tanks - Aluminum

Step oil reservoir tanks are super heavy duty and offer easy access to truck from side of the truck. Steps tanks are available with or without steps. Step tanks are available in different sizes, ranging from 12" to 30" or can be ordered in custom widths. All AMERICAN TRUCKBOXES boxes are designed and built to keep your equipment safe and secure.

Description

- An engineered aluminum construction
- Fully seam welded on all seams and corners
- Replaceable top and bottom steps and mounts
- Laser cut strut grip steps or no steps
- Built-in baffles on larger tanks to reduce sloshing
- Filler Cap, Side Drain Hole & Oil Gauge
- Mounting kit not included: (Kits Av. = M3050C (add 20lbs. to weight))



A-SO51 *(R) Right Back Passenger Side



A-SO52 *(R) Right Back Passenger Side



Note: Box available for Driver Side (L) and Passenger Side (R) - *Add to part number L or R.

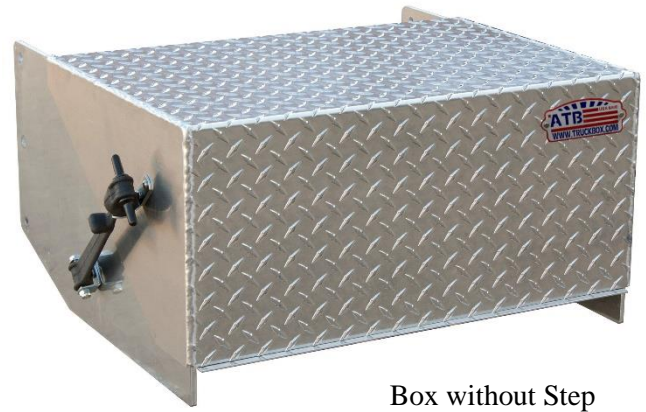
No.	Model Number	Material	Height (in.)	Depth (in.)	Width (in.)	Supply Size (in)	Return Size (in)	Baffles	Gal (US)	Weight (lb.)
1.	A-SO51-242112*-S1	.125/.250 Smooth	24-5/8	21-1/4	12	2 FPT	2 FPT	1	15	36
2.	A-SO51-242118*-S1	.125/.250 Smooth	24-5/8	21-1/4	18	2 FPT	2 FPT	1	22	43
3.	A-SO51-242124*-S1	.125/.250 Smooth	24-5/8	21-1/4	24	2 FPT	2 FPT	1	29	49
4.	A-SO51-242130*-S1	.125/.250 Smooth	24-5/8	21-1/4	30	2 FPT	2 FPT	1	36	60
5.	A-SO51S-262812*-S1	.125/.250 Smooth	26-5/8	28-1/4	12	2 FPT	2 FPT	1	15	46
6.	A-SO51S-262818*-S1	.125/.250 Smooth	26-5/8	28-1/4	18	2 FPT	2 FPT	1	22	55
7.	A-SO51S-262824*-S1	.125/.250 Smooth	26-5/8	28-1/4	24	2 FPT	2 FPT	1	29	64
8.	A-SO51S-262830*-S1	.125/.250 Smooth	26-5/8	28-1/4	30	2 FPT	2 FPT	1	36	72
9.	A-SO52-152324*-S1	.125/.250 Smooth	15	23	24	2 FPT	2 FPT	1	23	60
10.	A-SO52-152330*-S1	.125/.250 Smooth	15	23	30	2 FPT	2 FPT	1	29	64
11.	A-SO52-212324*-S1	.125/.250 Smooth	21	23	24	2 FPT	2 FPT	1	35	62
12.	A-SO52-212330*-S1	.125/.250 Smooth	21	23	30	2 FPT	2 FPT	1	44	75
13.	A-SO52S-153024*-S1	.125/.250 Smooth	15	30	24	2 FPT	2 FPT	1	23	72
14.	A-SO52S-153030*-S1	.125/.250 Smooth	15	30	30	2 FPT	2 FPT	1	29	77
15.	A-SO52S-213024*-S1	.125/.250 Smooth	21	30	24	2 FPT	2 FPT	1	35	74
16.	A-SO52S-213030*-S1	.125/.250 Smooth	21	30	30	2 FPT	2 FPT	1	44	93

BB - Battery Boxes - Aluminum Front Open Single Lid.

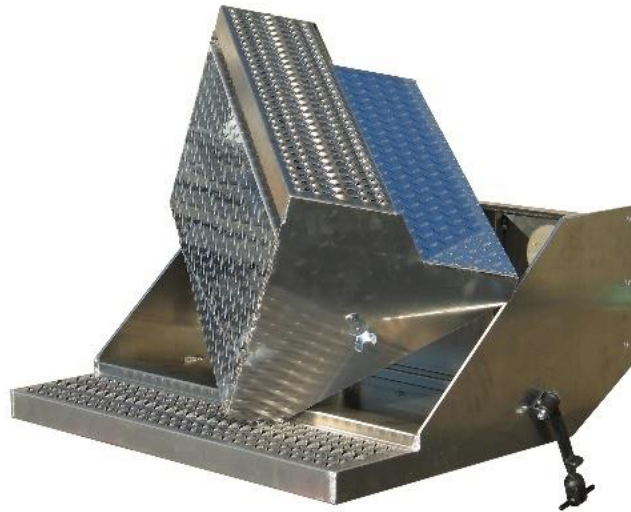
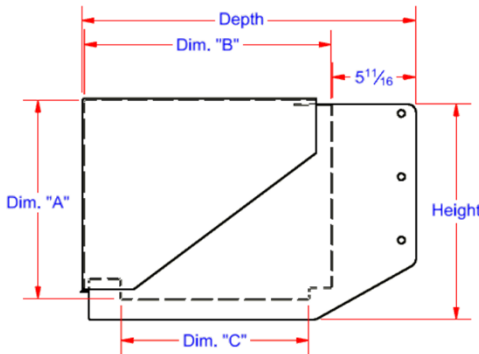
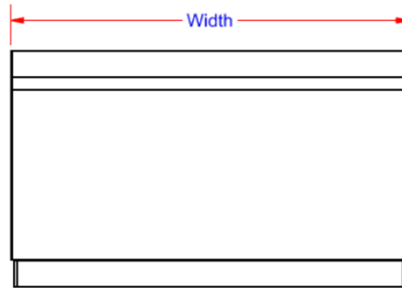
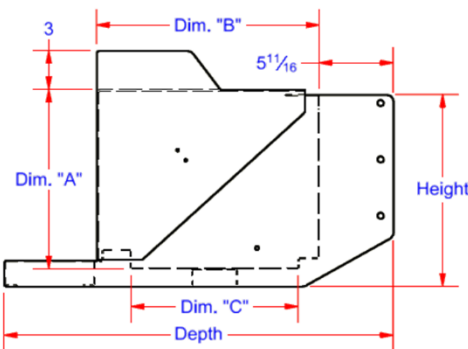
Battery boxes are super heavy duty and offer easy access to batteries from side of the truck. Boxes are available with or without steps. Battery boxes are available in different sizes and can be ordered in custom size. All AMERICAN TRUCKBOXES boxes are designed and built to keep your batteries secure.

Description

- An engineered aluminum construction
- Fully seam welded on all seams and corners
- Strut grip steps or no steps
- Rubber heavy duty lid latch kit
- Easy removable lid
- Reinforced bottom channel
- Battery holder 1.5" strap for group 31 batteries
- Mounting kit not included: (Kits Av. = M3050C (add 20lbs. to weight))



Box without Step



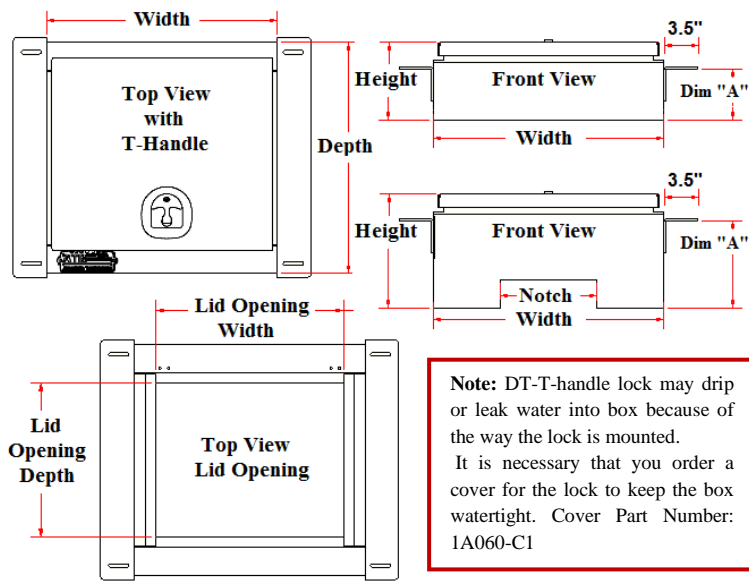
No.	Model Number	Material	Batteries	Height (in.)	Depth (in.)	Width (in.)	Dim "A" (in)	Dim "B" (in)	Dim "C" (in.)	Weight (lb.)
1.	A-BB41-152317-T	.090 Smooth/.100 TP	2	15	23	17	13-11/16	16-7/8	12-13/16	26
2.	A-BB41-152324-T	.090 Smooth/.100 TP	3	15	23	24	13-11/16	16-7/8	12-13/16	34
3.	A-BB41-152916-T	.090 Smooth/.100 TP	3	15	29	16	13-11/16	24-7/8	20-13/16	37
4.	A-BB41-152330-T	.090 Smooth/.100 TP	4	15	23	30	13-11/16	16-7/8	12-13/16	43
5.	A-BB41S-153024-T	.090 Smooth/.100 TP	3	15	30	24	13-11/16	16-7/8	12-13/16	48
6.	A-BB41S-153030-T	.090 Smooth/.100 TP	4	15	30	30	13-11/16	16-7/8	12-13/16	60

IB - In-Frame Boxes - Aluminum Single Top Open Lid

In-Frame boxes are super heavy duty, high capacity and offer easy access from back of the truck. Boxes are available with Padlock or T-Handle Lock. Boxes are perfect for standing on when changing trailer connections or a perfect way to store your equipment, like chains, binders, straps, or your personal gear. In-Frame boxes are available in different sizes, ranging from 12" to 48" or can be ordered in custom size. All AMERICAN TRUCKBOXES boxes are designed and built to keep your equipment safe and secure.

Description

- An engineered aluminum construction
- Fully seam welded on all seams and corners
- Stainless steel continuous hinge on full length of lid
- Channel brace reinforced lid serves as a platform
- Pad lockable adjustable latch or SS Dolphin Tail T-handle latch
- **Optional SS T-handle cover – 1A060-C1**
- Automotive type weather seal
- **Batteries – Boxes are available to install batteries – SPECIAL ORDER**
- Mounting kit included: (Kits Av.= M3100F)



Note: DT-T-handle lock may drip or leak water into box because of the way the lock is mounted. It is necessary that you order a cover for the lock to keep the box watertight. Cover Part Number: 1A060-C1

A-IB51 = Pad Lock



A-IB52 = DT-T-Handle



Note: Box door is available in: Standard = Smooth (S) or for Diamond Tread (T) and Mirror (M) - change end of part number.

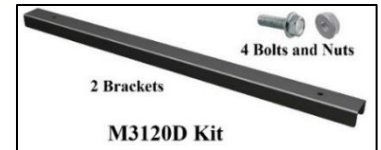
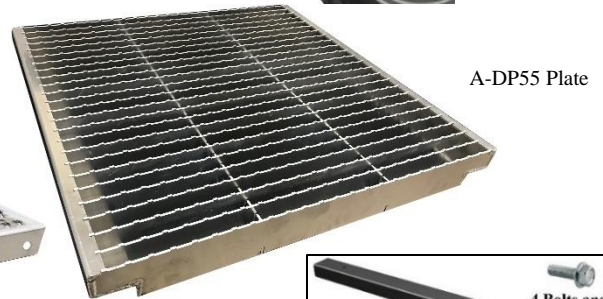
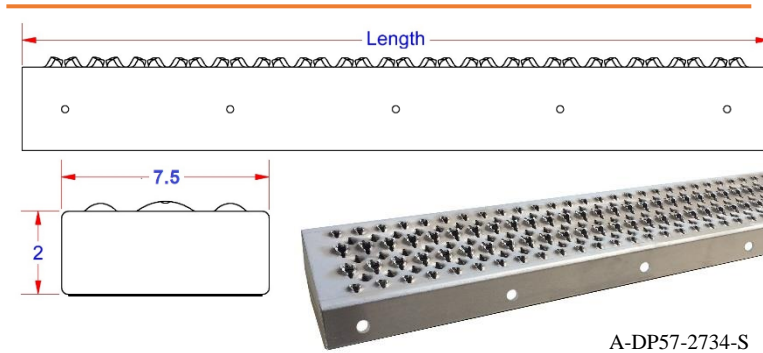
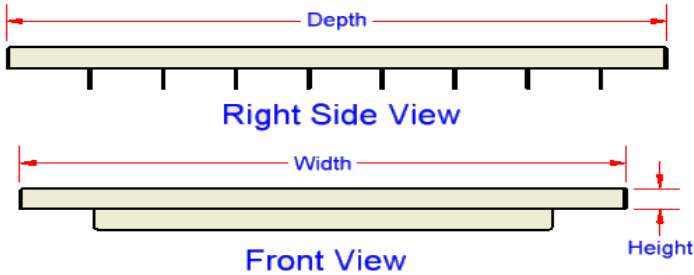
No.	Model Number	Material	Lock	Height (in.)	Depth (in.)	Width (in.)	Dim "A" (in)	Notch H" x W"	Door Opening Depth (in.)	Door Opening Width (in.)	Weight (lb.)
1.	A-IB51-81824-T	.125 Smooth/.125 TP	Padlock	8	18	24	5-3/8	N/A	10	19-1/2	30
2.	A-IB51-82424-T	.125 Smooth/.125 TP	Padlock	8	24	24	5-3/8	N/A	16	19-1/2	36
3.	A-IB51-102224-T	.125 Smooth/.125 TP	Padlock	10	22	24	7-3/8	N/A	14	19-1/2	36
4.	A-IB51-103624-T	.125 Smooth/.125 TP	Padlock	10	36	24	7-3/8	N/A	28	19-1/2	52
5.	A-IB51-131824N-T	.125 Smooth/.125 TP	Padlock	13	18	24	10-3/8	4 x 6	10	19-1/2	51
6.	A-IB51-132424N-T	.125 Smooth/.125 TP	Padlock	13	24	24	10-3/8	4 x 6	16	19-1/2	57
7.	A-IB52-81824-T	.125 Smooth/.125 TP	T-Handle	8	18	24	5-3/8	N/A	10	19-1/2	30
8.	A-IB52-82424-T	.125 Smooth/.125 TP	T-Handle	8	24	24	5-3/8	N/A	16	19-1/2	36
9.	A-IB52-102224-T	.125 Smooth/.125 TP	T-Handle	10	22	24	7-3/8	N/A	14	19-1/2	36
10.	A-IB52-103624-T	.125 Smooth/.125 TP	T-Handle	10	36	24	7-3/8	N/A	28	19-1/2	52
11.	A-IB52-131824N-T	.125 Smooth/.125 TP	T-Handle	13	18	24	10-3/8	4 x 6	10	19-1/2	51
12.	A-IB52-132424N-T	.125 Smooth/.125 TP	T-Handle	13	24	24	10-3/8	4 x 6	16	19-1/2	57

DP - Deck Plates - Aluminum

Deck plates are super heavy duty and offer access to top of truck to disconnect trailer hoses or connectors. Deck plates are available with or without LEDs. Deck plates are available in different sizes, or can be ordered in custom size. All AMERICAN TRUCKBOXES deck plates are designed to keep you safe.

Description

- An engineered aluminum construction
- Fully seam welded on all seams and corners
- LED lights (lamps) certain models
- Reinforced decking supports
- Mounting kit (easy clamp) included: (M3120D)

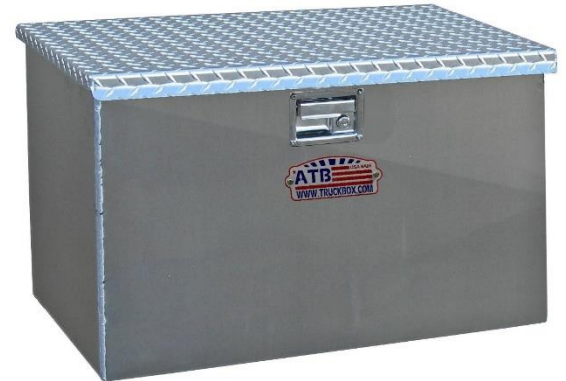


Note: Plates are available in: Tread Plate (TT - Standard) Smooth (S) and Mirror (M) Finish – change end of part number.

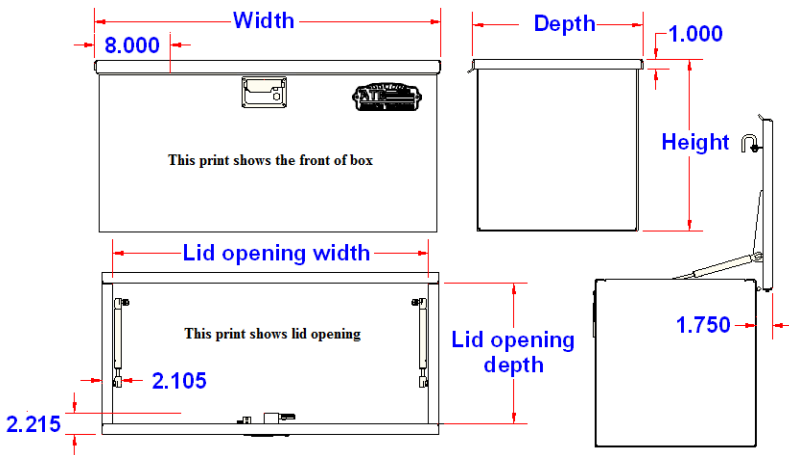
No.	Model Number	Material	Lights	Height (in.)	Depth (in.)	Width (in.)	Weight (lb.)
1.	A-DP51-022434-TT	.125 Smooth/.125 TP	None	1-3/8	24	34	18
2.	A-DP51-023034-TT	.125 Smooth/.125 TP	None	1-3/8	30	34	23
3.	A-DP51-023634-TT	.125 Smooth/.125 TP	None	1-3/8	36	34	26
4.	A-DP51-024234-TT	.125 Smooth/.125 TP	None	1-3/8	42	34	30
5.	A-DP51-024834-TT	.125 Smooth/.125 TP	None	1-3/8	48	34	34
6.	A-DP52-032434-TT	.125 Smooth/.125 TP	Red/Amber	2-3/8	24	34	25
7.	A-DP52-033034-TT	.125 Smooth/.125 TP	Red/Amber	2-3/8	30	34	30
8.	A-DP52-033634-TT	.125 Smooth/.125 TP	Red/Amber	2-3/8	36	34	35
9.	A-DP52-034234-TT	.125 Smooth/.125 TP	Red/Amber	2-3/8	42	34	40
10.	A-DP52-034834-TT	.125 Smooth/.125 TP	Red/Amber	2-3/8	48	34	44
11.	A-DP55-021234-S	.125 Smooth	None	2-1/2	12	34	16
12.	A-DP55-021834-S	.125 Smooth	None	2-1/2	18	34	24
13.	A-DP55-022434-S	.125 Smooth	None	2-1/2	24	34	32
14.	A-DP57-2734-S	.125 Smooth	None	2	7.5	34	6

TC - Top Chest Boxes - Aluminum & Steel Single Top Open Lid

Top chest boxes are super heavy duty, high capacity and offer easy access to your equipment. Boxes can be mounted on top or on the side of your truck or trailer. These boxes are perfect for storing your equipment, like chains, binders, straps or your personal gear or tool. Top chest boxes are available in different sizes and can be ordered custom size. All AMERICAN TRUCKBOXES boxes are designed and built to keep your equipment safe and secure.



Description	
• An engineered aluminum or steel construction	
• Fully seam welded on all seams and corners	
• Stainless steel continuous hinge on full length of lid	
• Gas Springs to “pop” and keep lid open.	
• Channel braced reinforced lid	
• Zinc epoxy primer with MR powder baked topcoat finish	
• Lockable SS latch and adjustable lock striker for positive weather seal	
• Automotive type weather seal	
• Automotive style latch with smooth rotary action	
• Mounting kit included: (M3200D)	



Note: Box door is available in: Standard = Smooth (S) or for Diamond Tread (T) and Mirror (M) - change end of part number.

No.	Model Number	Material	Height (in.)	Depth (in.)	Width (in.)	Lid Opening Width (in.)	Lid Opening Depth (in.)	Weight (lb.)
1.	A-TC51C-181824S-T	.125 Smooth/.125 TP	18	18	24	14-3/4	20-3/4	32
2.	A-TC51C-181830S-T	.125 Smooth/.125 TP	18	18	30	14-3/4	28-3/4	38
3.	A-TC51C-181836S-T	.125 Smooth/.125 TP	18	18	36	14-3/4	32-3/4	44
4.	A-TC51C-182424S-T	.125 Smooth/.125 TP	18	24	24	20-3/4	20-3/4	38
5.	A-TC51C-182436S-T	.125 Smooth/.125 TP	18	24	36	20-3/4	32-3/4	50
6.	A-TC51C-242424S-T	.125 Smooth/.125 TP	24	24	24	20-3/4	20-3/4	42
7.	A-TC51C-242436S-T	.125 Smooth/.125 TP	24	24	36	20-3/4	32-3/4	58
8.	S-TC41C-181824S-*	14 Gauge Steel	18	18	24	14-3/4	20-3/4	60
9.	S-TC41C-181830S-*	14 Gauge Steel	18	18	30	14-3/4	28-3/4	70
10.	S-TC41C-181836S-*	14 Gauge Steel	18	18	36	14-3/4	32-3/4	80
11.	S-TC41C-182424S-*	14 Gauge Steel	18	24	24	20-3/4	20-3/4	70
12.	S-TC41C-182436S-*	14 Gauge Steel	18	24	36	20-3/4	32-3/4	96
13.	S-TC41C-242424S-*	14 Gauge Steel	24	24	24	20-3/4	20-3/4	84
14.	S-TC41C-242436S-*	14 Gauge Steel	24	24	36	20-3/4	32-3/4	110

Note: Boxes are available in: Black (B) and White (W) Finish – add after part number.

RB – Rack Boxes - Aluminum Triple Side Open Doors

Rack boxes are super heavy duty, high capacity and offer easy access from back of truck. Boxes can be mounted with I-beam or flush mount on top of frame. These boxes are perfect for storing your equipment, like chains, binders, straps, tarps or your personal gear or tools. Rack boxes are available in different sizes and can be ordered custom size. All AMERICAN TRUCKBOXES boxes are designed and built to keep your equipment safe and secure.

Description

- An engineered aluminum and stainless steel construction
- Fully seam welded on all seams and corners
- Stainless steel continuous hinge on full length of door
- Fully concealed rain gutter with automotive weather seal
- Lockable SS Dolphin Tail HD adjustable T-handle latch
- Corners are gusseted for added strength and durability
- Front and rear plate gussets on base mounting
- I-Beam or optional flush mount system
- Adjustable shelves and chain hangers
- Mounting kit not included: (Kits Av.= M3400I • M3410I • M3400L)



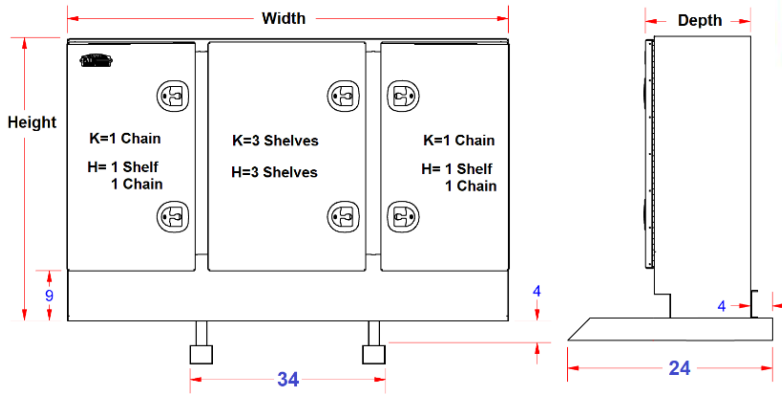
Smooth Finish



Powder Coated Body



Mirror Finish SS Doors



Note: *Box door is available in: Diamond Tread (T) or for Smooth (S) and Mirror (M).

No.	Model Number	Material	Setup K/ Compartment Left/Middle/Right	Height (in.)	Depth (in.)	Width (in.)	End Door Opening Width (in)	Center Door Opening Width (in)	Door Opening Height (in)	Weight (lb.)
1.	A-RB51-521276T-*IK	.125 Smooth/.125 TP	Chain/Shelf/Chain	52	12	76	18	25-3/8	38-1/8	256
2.	A-RB51-601280T-*IK	.125 Smooth/.125 TP	Chain/Shelf/Chain	60	12	80	20	25-3/8	46-1/8	279
3.	A-RB51-681480T-*IK	.125 Smooth/.125 TP	Chain/Shelf/Chain	68	14	80	20	25-3/8	54-1/8	240
4.	A-RB51-681484T-*IK	.125 Smooth/.125 TP	Chain/Shelf/Chain	68	14	84	22	25-3/8	54-1/8	288
5.	A-RB51-521276T-MIK	.125 Smooth/16g SS	Chain/Shelf/Chain	52	12	76	18	25-3/8	38-1/8	262
6.	A-RB51-601280T-MIK	.125 Smooth/16g SS	Chain/Shelf/Chain	60	12	80	20	25-3/8	46-1/8	296
7.	A-RB51-681480T-MIK	.125 Smooth/16g SS	Chain/Shelf/Chain	68	14	80	20	25-3/8	54-1/8	309
8.	A-RB51-681484T-MIK	.125 Smooth/16g SS	Chain/Shelf/Chain	68	14	84	22	25-3/8	54-1/8	348
9.	A-RB51-601680T-*IH	.125 Smooth/16g SS	C-Shelf/Shelf/C-Shelf	60	16	80	20	25-3/8	46-1/8	326
10.	A-RB51-602080T-*IH	.125 Smooth/16g SS	C-Shelf/Shelf/C-Shelf	60	20	80	20	25-3/8	46-1/8	348
11.	A-RB51-681680T-*IH	.125 Smooth/16g SS	C-Shelf/Shelf/C-Shelf	68	16	80	20	25-3/8	54-1/8	346
12.	A-RB51-682082T-*IH	.125 Smooth/16g SS	C-Shelf/Shelf/C-Shelf	68	20	82	21	25-3/8	54-1/8	386
13.	A-RB51-721682T-*IH	.125 Smooth/16g SS	C-Shelf/Shelf/C-Shelf	72	16	82	21	25-3/8	58-1/8	382
14.	A-RB51-722084T-*IH	.125 Smooth/16g SS	C-Shelf/Shelf/C-Shelf	72	20	84	22	25-3/8	58-1/8	410

Note: These racks are not a SAFETY DEVICE and will NOT PREVENT SERIOUS INJURY or DEATH from cargo shifting forward or from a result of an accident or improper securement.

RB – Rack Boxes - Aluminum Triple Side Open Doors

Rack boxes are super heavy duty, high capacity and offer easy access from back of truck. Boxes can be mounted with SX-Beam or flush mount on top of frame. These boxes are perfect for storing your equipment, like chains, binders, straps, tarps or your personal gear or tools. Rack boxes are available in different sizes and can be ordered custom size. All AMERICAN TRUCKBOXES boxes are designed and built to keep your equipment safe and secure.

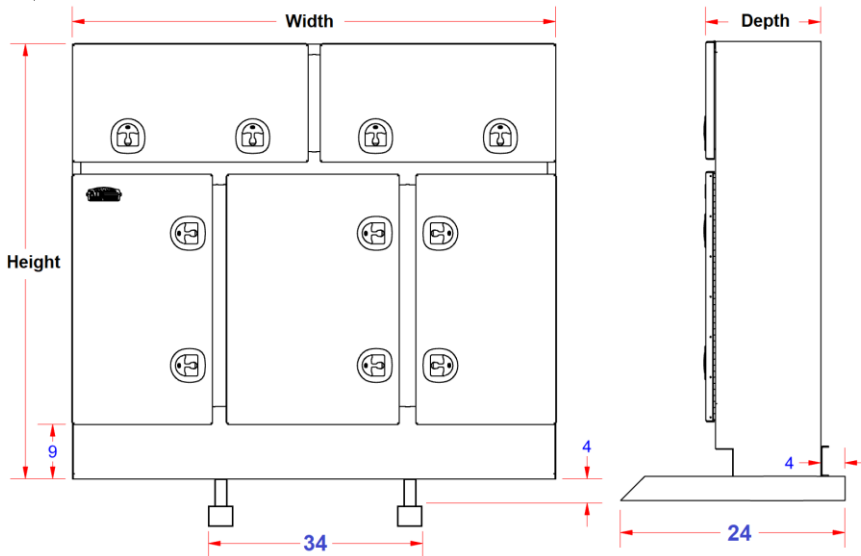
Description

- An engineered aluminum and stainless steel construction
- Fully seam welded on all seams and corners
- Stainless steel continuous hinge on full length of door
- Fully concealed rain gutter with automotive weather seal
- Lockable SS Dolphin Tail HD adjustable T-handle latch
- Corners are gusseted for added strength and durability
- Front and rear plate gussets on base mounting
- I-Beam or optional flush mount system
- Adjustable shelves (3) and chain hangers (2)
- Top compartments to store personal items, equipment, or tools
- Mounting kit not included: (Kits Av.= M3400I • M3410I • M3400L)

Shown Options:
Light Bar and
Powder Coated
Body



Mirror Finish
SS Doors



Note: *Box door is available in: Diamond Tread (T) or for Smooth (S) and Mirror (M).

No.	Model Number	Material	Height (in.)	Depth (in.)	Width (in.)	End Door Opening Width (in)	Center Door Opening Width (in)	Door Opening Height (in)	Weight (lb.)
1.	A-RB52-721477T-*IK	.125 Smooth	72	14	77	18-1/2	25-3/8	46-1/8	324
2.	A-RB52-721280T-*IK	.125 Smooth	72	12	80	20	25-3/8	46-1/8	332
3.	A-RB52-721284T-*IK	.125 Smooth	72	12	84	22	25-3/8	46-1/8	346
4.	A-RB52-721684T-*IK	.125 Smooth	72	16	84	22	25-3/8	46-1/8	381
5.	A-RB52-722292T-*IK	.125 Smooth	72	22	92	26	25-3/8	46-1/8	454
6.	A-RB52-721477T-MIK	.125 Smooth/16g SS	72	14	77	18-1/2	25-3/8	46-1/8	362
7.	A-RB52-721280T-MIK	.125 Smooth/16g SS	72	12	80	20	25-3/8	46-1/8	360
8.	A-RB52-721284T-MIK	.125 Smooth/16g SS	72	12	84	22	25-3/8	46-1/8	375
9.	A-RB52-721684T-MIK	.125 Smooth/16g SS	72	16	84	22	25-3/8	46-1/8	425
10.	A-RB52-722292T-MIK	.125 Smooth/16g SS	72	22	92	26	25-3/8	46-1/8	498

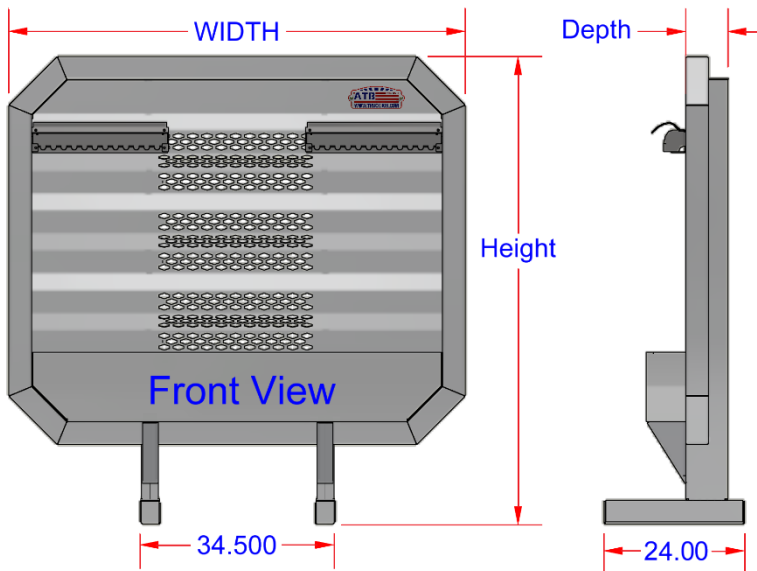
Note: These racks are not a SAFETY DEVICE and will NOT PREVENT SERIOUS INJURY or DEATH from cargo shifting forward or from a result of an accident or improper securement.

CR – Chain Rack - Aluminum

Chain racks are super heavy duty and offer easy amounting on back of a truck. Racks can be mounted on top of truck frame with U-bolts mounting kit. These racks are designed for storing your chains and binders. Rack boxes are available in different sizes and can be ordered custom size. All AMERICAN TRUCKBOXES boxes are designed and built to keep your equipment safe and secure.

Description

- An engineered aluminum construction
- Fully seam welded on all seams and corners
- Square beam base mount for extra strength
- Ribbed aluminum center plate for extra strength
- Outside formed tube for extra durability
- I-Beam gusseted on base for extra strength
- Chain hangers and chain basket as standard
- Available with SX-Beam or optional Flush Mount System
- Mounting kit not included - M3400I



No.	Model Number	Material	Height (in.)	Depth (in.)	Width (in.)	Chain Hanger	Window	Chain Tray	Weight (lb.)
1.	A-CR61-68764-TIK	.190 Smooth/.125 TP	68	7	64	None	No	No	135
2.	A-CR61-68770-TIK	.190 Smooth/.125 TP	68	7	70	None	No	No	145
3.	A-CR61-68776-TIK	.190 Smooth/.125 TP	68	7	76	None	No	No	158
4.	A-CR61-72780-TIK	.190 Smooth/.125 TP	72	7	80	None	No	No	178
5.	A-CR61-72786-TIK	.190 Smooth/.125 TP	72	7	86	None	No	No	190
6.	A-CR62-68764-TIK	.190 Smooth/.125 TP	68	7	64	None	Yes	No	132
7.	A-CR62-68770-TIK	.190 Smooth/.125 TP	68	7	70	None	Yes	No	142
8.	A-CR62-68776-TIK	.190 Smooth/.125 TP	68	7	76	None	Yes	No	155
9.	A-CR62-72780-TIK	.190 Smooth/.125 TP	72	7	80	None	Yes	No	175
10.	A-CR62-72786-TIK	.190 Smooth/.125 TP	72	7	86	None	Yes	No	194
11.	A-CR64-68764-TIK	.190 Smooth/.125 TP	68	7	64	Yes-2	Yes	Yes	168
12.	A-CR64-68770-TIK	.190 Smooth/.125 TP	68	7	70	Yes-2	Yes	Yes	184
13.	A-CR64-68776-TIK	.190 Smooth/.125 TP	68	7	76	Yes-2	Yes	Yes	201
14.	A-CR64-72780-TIK	.190 Smooth/.125 TP	72	7	80	Yes-2	Yes	Yes	232
15.	A-CR64-72786-TIK	.190 Smooth/.125 TP	72	7	86	Yes-2	Yes	Yes	254

Note: These racks are not a SAFETY DEVICE and will NOT PREVENT SERIOUS INJURY or DEATH from cargo shifting forward or from a result of an accident or improper securements.

SG - Underbody Boxes - Aluminum Single Drop Open Door

Underbody boxes are super heavy duty, high capacity and offer easy access from side of truck. Boxes can be mounted with L-Shape or Top Mount Brackets. These boxes are perfect for storing your equipment, like chains, binders, straps, tarps or your personal gear or tools. Underbody boxes are available in different sizes and can be ordered custom size. All AMERICAN TRUCKBOXES boxes are designed and built to keep your equipment safe and secure.

Description

- An engineered aluminum construction
- Fully seam welded on all seams and corners
- Stainless steel continuous hinge on full length of door
- Fully concealed rain gutter with automotive weather seal
- Lockable SS Dolphin Tail HD adjustable T-handle latch
- Corners are gusseted for added strength and durability
- Reinforced bottom gutter or door frame
- Aircraft-type nylon coated door cable
- **Optional mirror finish 14g stainless steel door**
- Mounting kit not included: (Kits Av.= M2100 • M2200 Series)

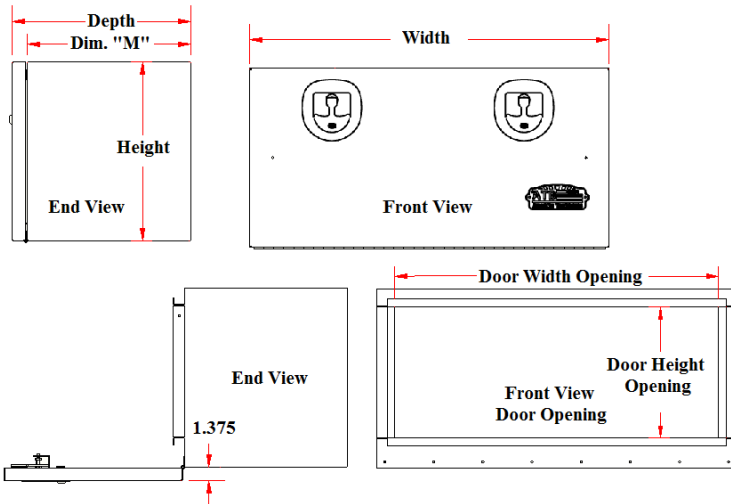


Diamond Tread Door



Smooth Finish

Mirror Finish Door



Note: Box door is available in: Standard = Diamond Tread (T) or for Smooth (S) and Mirror (M) - change end of part number.
Toolboxes less than 38 inches wide come standard with one lock only; however, we can make configuration changes if specified.

No.	Model Number	Material	Height (in.)	Depth (in.)	Width (in.)	Dim. "M" (in.)	Door Opening Height (in.)	Door Opening Width (in.)	Reinforced Bottom Gutter	Weight (lb.)
1.	A-SG51-181836SD-T	.125 Smooth/.125 TP	18	18	36	16-1/4	14-1/8	32-3/8	No	44
2.	A-SG51-181848SD-T	.125 Smooth/.125 TP	18	18	48	16-1/4	14-1/8	44-3/8	No	56
3.	A-SG52-181836SD-T	.125 Smooth/.125 TP	18	18	36	16-1/4	13-1/8	32-3/8	Yes	45
4.	A-SG52-181848SD-T	.125 Smooth/.125 TP	18	18	48	16-1/4	13-1/8	44-3/8	Yes	57
5.	A-SG52-181860SD-T	.125 Smooth/.125 TP	18	18	60	16-1/4	13-1/8	56-3/8	Yes	68
6.	A-SG52-182436SD-T	.125 Smooth/.125 TP	18	24	36	22-1/4	13-1/8	32-3/8	Yes	54
7.	A-SG52-182448SD-T	.125 Smooth/.125 TP	18	24	48	22-1/4	13-1/8	44-3/8	Yes	66
8.	A-SG52-182460SD-T	.125 Smooth/.125 TP	18	24	60	22-1/4	13-1/8	56-3/8	Yes	80
9.	A-SG52-242424SD-T	.125 Smooth/.125 TP	24	24	24	22-1/4	19-1/8	20-3/8	Yes	46
10.	A-SG52-242436SD-T	.125 Smooth/.125 TP	24	24	36	22-1/4	19-1/8	32-3/8	Yes	62
11.	A-SG52-242448SD-T	.125 Smooth/.125 TP	24	24	48	22-1/4	19-1/8	44-3/8	Yes	78
12.	A-SG52-242460SD-T	.125 Smooth/.125 TP	24	24	60	22-1/4	19-1/8	56-3/8	Yes	92

SG - Underbody Boxes - Aluminum Double Drop Open Doors

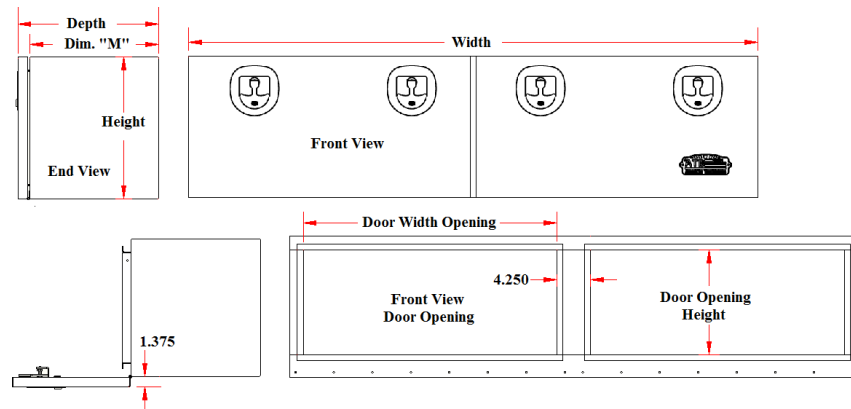
Underbody boxes are super heavy duty, high capacity and offer easy access from side of truck. Boxes can be mounted with L-Shape or Top Mount Brackets. These boxes are perfect for storing your equipment, like chains, binders, straps, tarps or your personal gear or tools. Underbody boxes are available in different sizes and can be ordered custom size. All AMERICAN TRUCKBOXES boxes are designed and built to keep your equipment safe and secure.

Description

- An engineered aluminum construction
- Fully seam welded on all seams and corners
- Stainless steel continuous hinge on full length of door
- Fully concealed rain gutter with automotive weather seal
- Lockable SS Dolphin Tail HD adjustable T-handle latch
- Corners are gusseted for added strength and durability
- Reinforced bottom gutter or door frame
- Aircraft-type nylon coated door cable
- **Optional mirror finish 14g stainless steel door**
- Mounting kit not included: (Kits Av.= M2100 • M2200 Series)



Diamond Tread



Note: Box door is available in: Standard = Diamond Tread (T) or for Smooth (S) and Mirror (M) - change end of part number.

No.	Model Number	Material	Height (in.)	Depth (in.)	Width (in.)	Dim. "M" (in.)	Door Opening Height (in.)	Door Opening Width (in.)	Reinforced Bottom Gutter	Weight (lb.)
1.	A-SG51-181872DD-T	.125 Smooth/.125 TP	18	18	72	16-1/4	14-1/8	32	No	83
2.	A-SG52-181872DD-T	.125 Smooth/.125 TP	18	18	72	16-1/4	13-1/8	32	Yes	83
3.	A-SG52-181884DD-T	.125 Smooth/.125 TP	18	18	84	16-1/4	13-1/8	38	Yes	94
4.	A-SG52-181896DD-T	.125 Smooth/.125 TP	18	18	96	16-1/4	13-1/8	44	Yes	105
5.	A-SG52-1818120DD-T	.125 Smooth/.125 TP	18	18	120	16-1/4	13-1/8	56	Yes	128
6.	A-SG52-182496DD-T	.125 Smooth/.125 TP	18	24	96	22-1/4	13-1/8	44	Yes	122
7.	A-SG52-1824120DD-T	.125 Smooth/.125 TP	18	24	120	22-1/4	13-1/8	56	Yes	148
8.	A-SG52-181872DD-S	.125 Smooth	18	18	72	16-1/4	13-1/8	32	Yes	82
9.	A-SG52-181884DD-S	.125 Smooth	18	18	84	16-1/4	13-1/8	38	Yes	93
10.	A-SG52-181896DD-S	.125 Smooth	18	18	96	16-1/4	13-1/8	44	Yes	104
11.	A-SG52-1818120DD-S	.125 Smooth	18	18	120	16-1/4	13-1/8	56	Yes	127
12.	A-SG52-182496DD-S	.125 Smooth	18	24	96	22-1/4	13-1/8	44	Yes	121
13.	A-SG52-1824120DD-S	.125 Smooth	18	24	120	22-1/4	13-1/8	56	Yes	147

SG - Underbody Boxes – Aluminum & Steel Single Side Open Door

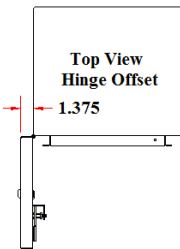
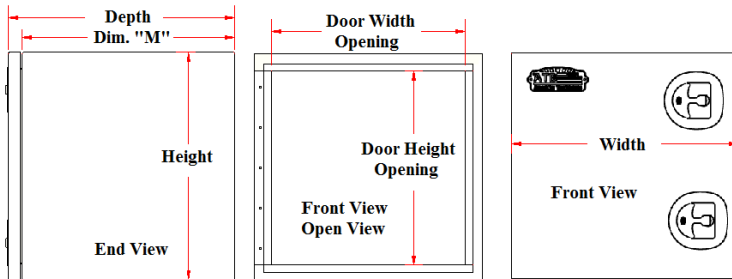
Underbody boxes are super heavy duty, high capacity and offer easy access from side of truck. Boxes can be mounted with L-Shape or Top Mount Brackets. These boxes are perfect for storing your equipment, like chains, binders, straps, tarps or your personal gear or tools. Underbody boxes are available in different sizes and can be ordered custom size. All AMERICAN TRUCKBOXES boxes are designed and built to keep your equipment safe and secure.

Description

- An engineered aluminum or steel construction
- Fully seam welded on all seams and corners
- Stainless steel continuous hinge on full length of door
- Fully concealed rain gutter with automotive weather seal
- Lockable SS Dolphin Tail HD adjustable T-handle latch
- Zinc epoxy primer with MR powder baked topcoat finish
- Corners are gusseted for added strength and durability
- Reinforced bottom gutter or door frame on aluminum boxes
- **Optional mirror finish 14g stainless steel door**
- Mounting kit not included: (Kits Av.= M2100 • M2200 Series)



Aluminum Smooth



Mirror or all Smooth Finish

Steel



Note: Box door is available in: Standard = Diamond Tread (T) and Smooth (S) or for Mirror (M) - change end of part number.

No.	Model Number	Material	Height (in.)	Depth (in.)	Width (in.)	Dim. "M" (in.)	Door Opening Height (in.)	Door Opening Width (in.)	Reinforced Bottom Gutter	Weight (lb.)
1.	A-SG52-242424SL-T	.125 Smooth/.125 TP	24	24	24	22-1/4	19-1/8	20-3/8	Yes	49
2.	A-SG52-242430SL-T	.125 Smooth/.125 TP	24	24	30	22-1/4	19-1/8	26-3/8	Yes	56
3.	A-SG52-242436SL-T	.125 Smooth/.125 TP	24	24	36	22-1/4	19-1/8	32-3/8	Yes	61
4.	A-SG52-242424SL-S	.125 Smooth	24	24	24	22-1/4	19-1/8	20-3/8	Yes	48
5.	A-SG52-242430SL-S	.125 Smooth	24	24	30	22-1/4	19-1/8	26-3/8	Yes	55
6.	A-SG52-242436SL-S	.125 Smooth	24	24	36	22-1/4	19-1/8	32-3/8	Yes	64
7.	S-SG51-242424SL-*	12 Gauge steel	24	24	24	22-3/8	20-3/8	20-3/8	No	118
8.	S-SG51-242430SL-*	12 Gauge steel	24	24	30	22-3/8	20-3/8	26-3/8	No	136
9.	S-SG51-242436SL-*	12 Gauge steel	24	24	36	22-3/8	26-3/8	32-3/8	No	155

Note: *Boxes are available in: Black (B) and White (W) Finish – add after part number.

SG - Underbody Boxes - Aluminum Side Open Doors

Underbody boxes are super heavy duty, high capacity and offer easy access from side of truck. Boxes can be mounted with L-Shape or Top Mount Brackets. These boxes are perfect for storing your equipment, like chains, binders, straps, tarps or your personal gear or tools. Underbody boxes are available in different sizes and can be ordered custom size. All AMERICAN TRUCKBOXES boxes are designed and built to keep your equipment safe and secure.

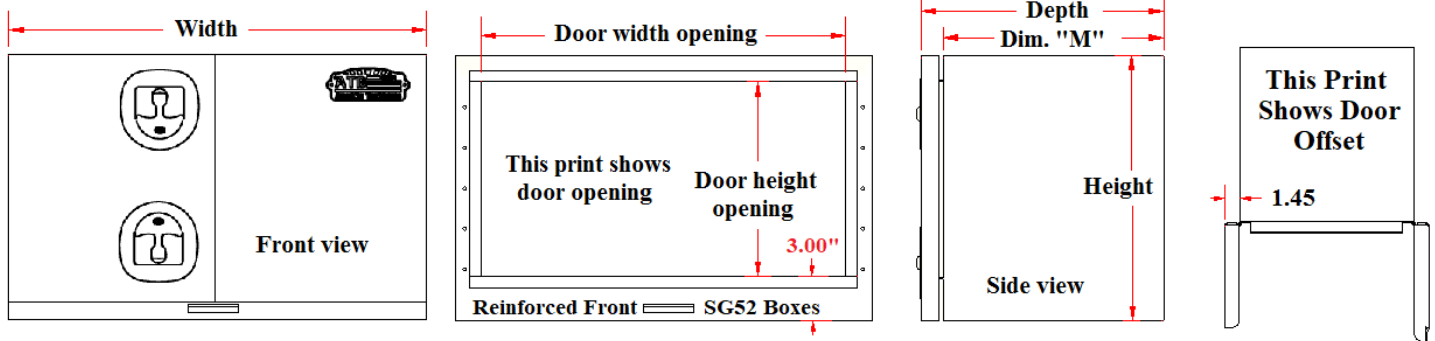
Description

- An engineered aluminum construction
- Fully seam welded on all seams and corners
- Stainless steel continuous hinge on full length of door
- Fully concealed rain gutter with automotive weather seal
- Lockable SS Dolphin Tail HD adjustable T-handle latch
- Corners are gusseted for added strength and durability
- Reinforced bottom door frame and door support
- Optional - mirror finish 14g Stainless Steel doors
- Mounting kit not included: (Kits Av.= M2100 • M2200 Series)

A-SG52 Series
Smooth



SS Mirror Finish Doors



Note: Doors are available in: Smooth (S), Diamond Tread (T) and Mirror (M) - change end of part number. Boxes can be ordered in Left or Right configuration.

No.	Model Number	Material	Height (in.)	Depth (in.)	Width (in.)	Dim. "M" (in.)	Door Opening Height (in.)	Door Opening Width (in.)	Reinforced Gutter	Weight (lb.)
1.	A-SG51-181836DL-S	.125 Smooth	18	18	36	16-1/4	14-3/8	32-3/8	No	43
2.	A-SG51-181848DL-S	.125 Smooth	18	18	48	16-1/4	14-3/8	44-3/8	No	54
3.	A-SG51-181860DL-S	.125 Smooth	18	18	60	16-1/4	14-3/8	56-3/8	No	65
4.	A-SG51-182436DL-S	.125 Smooth	18	24	36	22-1/4	14-3/8	32-3/8	No	51
5.	A-SG51-182448DL-S	.125 Smooth	18	24	48	22-1/4	14-3/8	44-3/8	No	67
6.	A-SG51-182460DL-S	.125 Smooth	18	24	60	22-1/4	14-3/8	56-3/8	No	81
7.	A-SG52-181836DL-S	.125 Smooth	18	18	36	16-1/4	13-1/8	32-3/8	Yes	44
8.	A-SG52-181848DL-S	.125 Smooth	18	18	48	16-1/4	13-1/8	44-3/8	Yes	55
9.	A-SG52-181860DL-S	.125 Smooth	18	18	60	16-1/4	13-1/8	56-3/8	Yes	66
10.	A-SG52-182436DL-S	.125 Smooth	18	24	36	22-1/4	13-1/8	32-3/8	Yes	52
11.	A-SG52-182448DL-S	.125 Smooth	18	24	48	22-1/4	13-1/8	44-3/8	Yes	68
12.	A-SG52-182460DL-S	.125 Smooth	18	24	60	22-1/4	13-1/8	56-3/8	Yes	82
13.	A-SG52-182472DL-S	.125 Smooth	18	24	72	22-1/4	13-1/8	68-3/8	Yes	94
14.	A-SG52-242448DL-S	.125 Smooth	24	24	48	22-1/4	19-1/8	44-3/8	Yes	80
15.	A-SG52-242460DL-S	.125 Smooth	24	24	60	22-1/4	19-1/8	56-3/8	Yes	95
16.	A-SG52-242472DL-S	.125 Smooth	24	24	72	22-1/4	19-1/8	68-3/8	Yes	110

SR - Underbody Boxes - Aluminum Double Side Open Doors

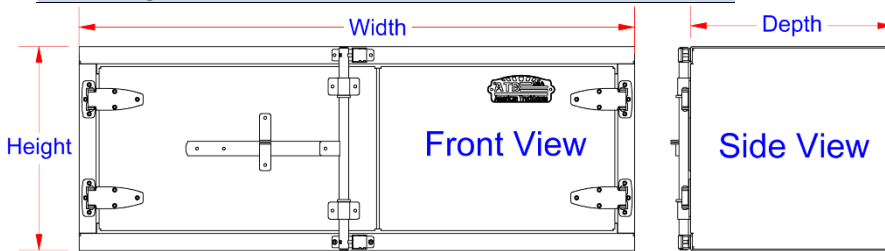
Underbody boxes are super heavy duty, high capacity and offer easy access from side of truck. Boxes can be mounted with L-Shape or Top Mount Brackets. These boxes are perfect for storing your equipment, like chains, binders, straps, tarps or your personal gear or tools. Underbody boxes are available in different sizes and can be ordered custom size. All AMERICAN TRUCKBOXES boxes are designed and built to keep your equipment safe and secure.

Description

- An engineered aluminum construction
- Fully seam welded on all seams and corners
- Stainless steel heavy duty flush strap hinges
- Fully concealed reversed gutter with automotive weather seal
- Lockable stainless steel over center HD bar latch
- Corners are gusseted for added strength and durability
- Optional gas spring available
- Optional mirror finish 14g Stainless Steel doors
- Mounting kit not included: (Kits Av.= M2100 • M2200 Series)



All Smooth Finish



Note: Box door is available in: Standard = and Smooth (S) or for Diamond Tread (T) and Mirror (M) - change end of part number.

No.	Model Number	Material	Height (in.)	Depth (in.)	Width (in.)	Door Opening Height (in.)	Door Opening Width (in.)	Weight (lb.)
1.	A-SR45-181836DL-S	.090 Smooth	18	18	36	13.50	31.50	47
2.	A-SR45-181848DL-S	.090 Smooth	18	18	48	13.50	43.50	55
3.	A-SR45-181860DL-S	.090 Smooth	18	18	60	13.50	55.50	63
4.	A-SR45-182436DL-S	.090 Smooth	18	24	36	13.50	31.50	53
5.	A-SR45-182448DL-S	.090 Smooth	18	24	48	13.50	43.50	61
6.	A-SR45-242436DL-S	.090 Smooth	24	24	36	19.50	31.50	63
7.	A-SR45-242448DL-S	.090 Smooth	24	24	48	19.50	43.50	73
8.	A-SR45-242460DL-S	.090 Smooth	24	24	60	18.50	55.50	83
9.	A-SR55-181836DL-S	.125 Smooth	18	18	36	13-1/8	31-1/8	54
10.	A-SR55-181848DL-S	.125 Smooth	18	18	48	13-1/8	43-1/8	66
11.	A-SR55-181860DL-S	.125 Smooth	18	18	60	13-1/8	55-1/8	76
12.	A-SR55-182436DL-S	.125 Smooth	18	24	36	13-1/8	31-1/8	62
13.	A-SR55-182448DL-S	.125 Smooth	18	24	48	13-1/8	43-1/8	75
14.	A-SR55-182460DL-S	.125 Smooth	18	24	60	13-1/8	55-1/8	88
15.	A-SR55-182472DL-S	.125 Smooth	18	24	72	13-1/8	67-1/8	101
16.	A-SR55-242436DL-S	.125 Smooth	24	24	36	19-1/8	31-1/8	70
17.	A-SR55-242448DL-S	.125 Smooth	24	24	48	19-1/8	43-1/8	85
18.	A-SR55-242460DL-S	.125 Smooth	24	24	60	19-1/8	55-1/8	102
19.	A-SR55-242472DL-S	.125 Smooth	24	24	72	19-1/8	67-1/8	115

SR - Underbody Boxes - Aluminum Single Drop Open Door

Underbody boxes are super heavy duty, high capacity and offer easy access from side of truck. Boxes can be mounted with L-Shape or Top Mount Brackets. These boxes are perfect for storing your equipment, like chains, binders, straps, tarps or your personal gear or tools. Underbody boxes are available in different sizes and can be ordered custom size. All AMERICAN TRUCKBOXES boxes are designed and built to keep your equipment safe and secure.

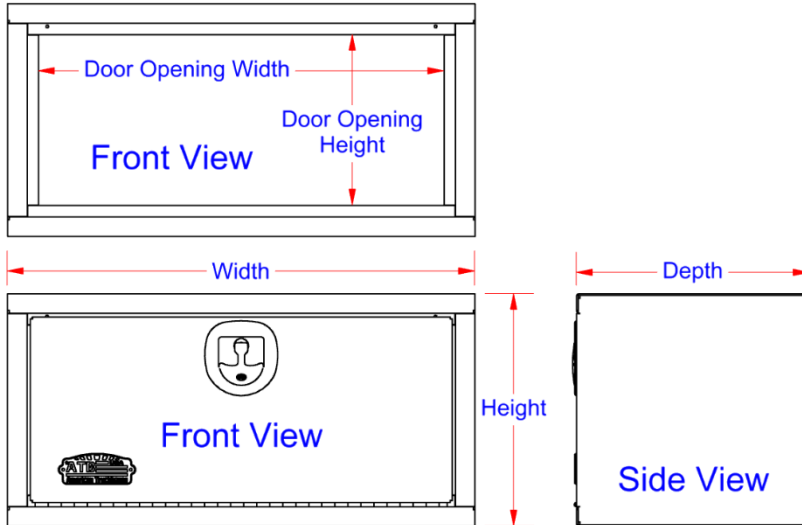
Description

- An engineered aluminum construction
- Fully seam welded on all seams and corners
- Stainless steel continuous hinge on full length of door
- Fully concealed rain gutter with automotive weather seal
- Lockable SS Dolphin Tail HD adjustable T-handle latch
- Corners are gusseted for added strength and durability
- Aircraft-type nylon coated door cable
- **Optional mirror finish 14g stainless steel door**
- Mounting kit not included: (Kits Av.= M2100 • M2200 Series)



Diamond Tread Door

Powder Coated Body



Note: Toolboxes less than 48 inches wide come standard with one lock only; however, we can make configuration changes if specified.

Note: Box door is available in: Standard = Diamond Tread (T) or for Smooth (S) and Mirror (M) - change end of part number.

No.	Model Number	Material	Height (in.)	Depth (in.)	Width (in.)	Door Opening Height (in.)	Door Opening Width (in.)	Weight (lb.)
1.	A-SR51-181836SD-T	.125 Smooth/.125 TP	18	18	36	13-1/8	31-1/8	46
2.	A-SR51-181848SD-T	.125 Smooth/.125 TP	18	18	48	13-1/8	43-1/8	58
3.	A-SR51-181860SD-T	.125 Smooth/.125 TP	18	18	60	13-1/8	55-1/8	69
4.	A-SR51-182436SD-T	.125 Smooth/.125 TP	18	24	36	13-1/8	31-1/8	54
5.	A-SR51-182448SD-T	.125 Smooth/.125 TP	18	24	48	13-1/8	43-1/8	67
6.	A-SR51-182460SD-T	.125 Smooth/.125 TP	18	24	60	13-1/8	55-1/8	80
7.	A-SR51-242424SD-T	.125 Smooth/.125 TP	24	24	24	19-1/8	19-1/8	47
8.	A-SR51-242436SD-T	.125 Smooth/.125 TP	24	24	36	19-1/8	31-1/8	65
9.	A-SR51-242448SD-T	.125 Smooth/.125 TP	24	24	48	19-1/8	43-1/8	79
10.	A-SR51-242460SD-T	.125 Smooth/.125 TP	24	24	60	19-1/8	55-1/8	92

SR - Underbody Boxes - Aluminum Double Side Open Doors

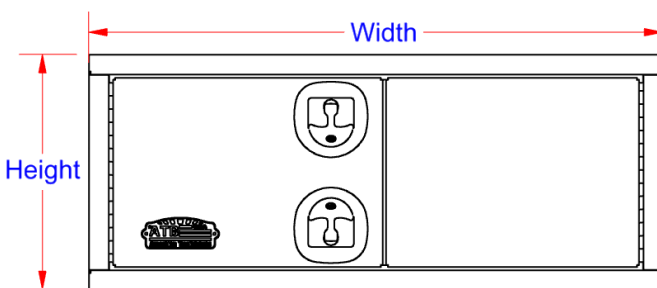
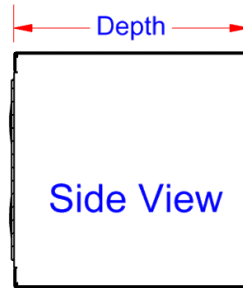
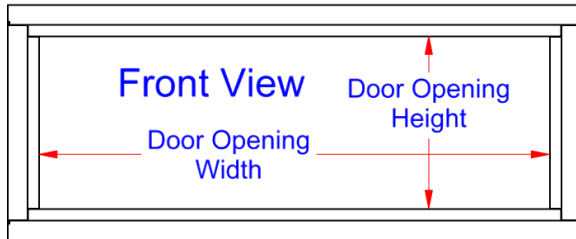
Underbody boxes are super heavy duty, high capacity and offer easy access from side of truck. Boxes can be mounted with L-Shape or Top Mount Brackets. These boxes are perfect for storing your equipment, like chains, binders, straps, tarps or your personal gear or tools. Underbody boxes are available in different sizes and can be ordered custom size. All AMERICAN TRUCKBOXES boxes are designed and built to keep your equipment safe and secure.

Description

- An engineered aluminum construction
- Fully seam welded on all seams and corners
- Stainless steel continuous hinge on full length of door
- Fully concealed rain gutter with automotive weather seal
- Lockable SS Dolphin Tail HD adjustable T-handle latch
- Corners are gusseted for added strength and durability
- Optional gas springs available
- **Optional mirror finish 14g Stainless Steel doors**
- Mounting kit not included: (Kits Av.= M2100 • M2200 Series)



All Smooth Finish



Note: Box door is available in: Standard = Smooth (S) or for Diamond Tread (T) and Mirror (M) - change end of part number.

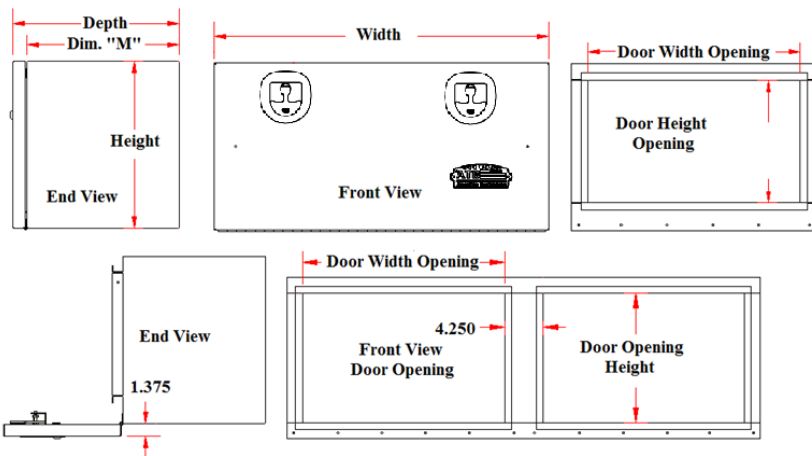
No.	Model Number	Material	Height (in.)	Depth (in.)	Width (in.)	Door Opening Height (in.)	Door Opening Width (in.)	Weight (lb.)
1.	A-SR51-181836DL-S	.125 Smooth	18	18	36	13-1/8	31-1/8	46
2.	A-SR51-181848DL-S	.125 Smooth	18	18	48	13-1/8	43-1/8	58
3.	A-SR51-181860DL-S	.125 Smooth	18	18	60	13-1/8	55-1/8	68
4.	A-SR51-182436DL-S	.125 Smooth	18	24	36	13-1/8	31-1/8	54
5.	A-SR51-182448DL-S	.125 Smooth	18	24	48	13-1/8	43-1/8	68
6.	A-SR51-182460DL-S	.125 Smooth	18	24	60	13-1/8	55-1/8	80
7.	A-SR51-242436DL-S	.125 Smooth	24	24	36	19-1/8	31-1/8	63
8.	A-SR51-242448DL-S	.125 Smooth	24	24	48	19-1/8	43-1/8	78
9.	A-SR51-242460DL-S	.125 Smooth	24	24	60	19-1/8	55-1/8	93
10.	A-SR51-242472DL-S	.125 Smooth	24	24	72	19-1/8	67-1/8	107

SG - Underbody Boxes - Steel Single & Double Drop Open Door(s)

Underbody boxes are super heavy duty, high capacity and offer easy access from side of truck. Boxes can be mounted with L-Shape or Top Mount Brackets. These boxes are perfect for storing your equipment, like chains, binders, straps, tarps or your personal gear or tools. Underbody boxes are available in different sizes and can be ordered custom size. All AMERICAN TRUCKBOXES boxes are designed and built to keep your equipment safe and secure.

Description

- An engineered steel construction
- Fully seam welded on all seams and corners
- Stainless steel continuous hinge on full length of door
- Fully concealed rain gutter with automotive weather seal
- Channel brace, reinforcement on door.
- Zinc epoxy primer with MR Powder baked topcoat finish
- Lockable SS Dolphin Tail HD adjustable T-handle latch
- Aircraft-type nylon coated door cable
- Mounting kit not included: (Kits Av.= M2100 • M2200 Series)



Note: *Boxes are available in: Black (B) and White (W) Finish – add after part number. Toolboxes less than 48 inches wide come standard with one lock only

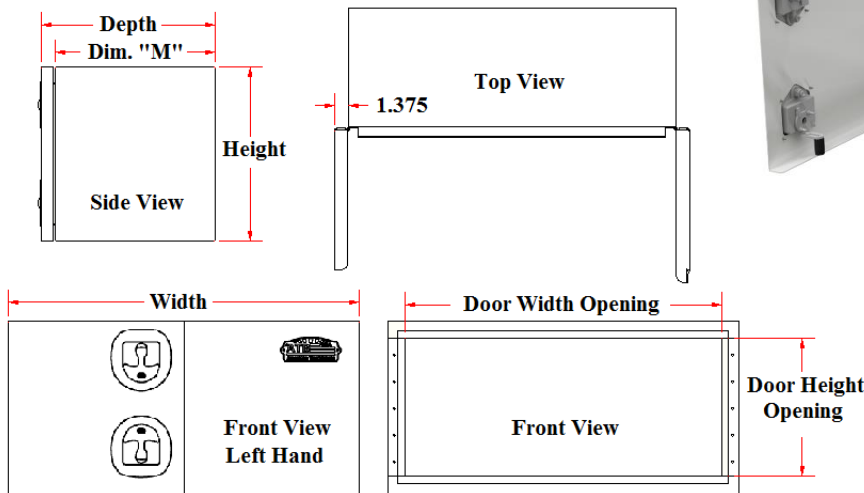
No.	Model Number	Material	Height (in.)	Depth (in.)	Width (in.)	Dim. "M" (in.)	Door Opening Height (in.)	Door Opening Width (in.)	Weight (lb.)
1.	S-SG51-181836SD-*	12 Gauge steel	18	18	36	16-3/8	14-3/8	32-3/8	112
2.	S-SG51-181848SD-*	12 Gauge steel	18	18	48	16-3/8	14-3/8	44-3/8	142
3.	S-SG51-181860SD-*	12 Gauge steel	18	18	60	16-3/8	14-3/8	56-3/8	172
4.	S-SG51-182448SD-*	12 Gauge steel	18	24	48	22-3/8	20-3/8	44-3/8	166
5.	S-SG51-182460SD-*	12 Gauge steel	18	24	60	22-3/8	20-3/8	56-3/8	201
6.	S-SG51-242424SD-*	12 Gauge steel	24	24	24	22-3/8	20-3/8	20-3/8	118
7.	S-SG51-242436SD-*	12 Gauge steel	24	24	36	22-3/8	20-3/8	32-3/8	156
8.	S-SG51-242448SD-*	12 Gauge steel	24	24	48	22-3/8	20-3/8	44-3/8	194
9.	S-SG51-242460SD-*	12 Gauge steel	24	24	60	22-3/8	20-3/8	56-3/8	232
10.	S-SG51-181872DD-*	12 Gauge steel	18	18	72	16-3/8	14-3/8	32	204
11.	S-SG51-181884DD-*	12 Gauge steel	18	18	84	16-3/8	14-3/8	38	234
12.	S-SG51-181896DD-*	12 Gauge steel	18	18	96	16-3/8	14-3/8	44	264
13.	S-SG51-182496DD-*	12 Gauge steel	18	24	96	22-3/8	14-3/8	44	306

SG - Underbody Boxes - Steel Double Side Open Doors

Underbody boxes are super heavy duty, high capacity and offer easy access from side of truck. Boxes can be mounted with L-Shape or Top Mount Brackets. These boxes are perfect for storing your equipment, like chains, binders, straps, tarps or your personal gear or tools. Underbody boxes are available in different sizes and can be ordered custom size. All AMERICAN TRUCKBOXES boxes are designed and built to keep your equipment safe and secure.

Description

- An engineered steel construction
- Fully seam welded on all seams and corners
- Stainless steel continuous hinge on full length of door
- Fully concealed rain gutter with automotive weather seal
- Channel brace, reinforcement on door.
- Zinc epoxy primer with MR Powder baked topcoat finish
- Lockable SS Dolphin Tail HD adjustable T-handle latch
- Mounting kit not included: (Kits Av.= M2100 • M2200 Series)



Note: *Boxes are available in: Black (B) and White (W) Finish – add after part number.

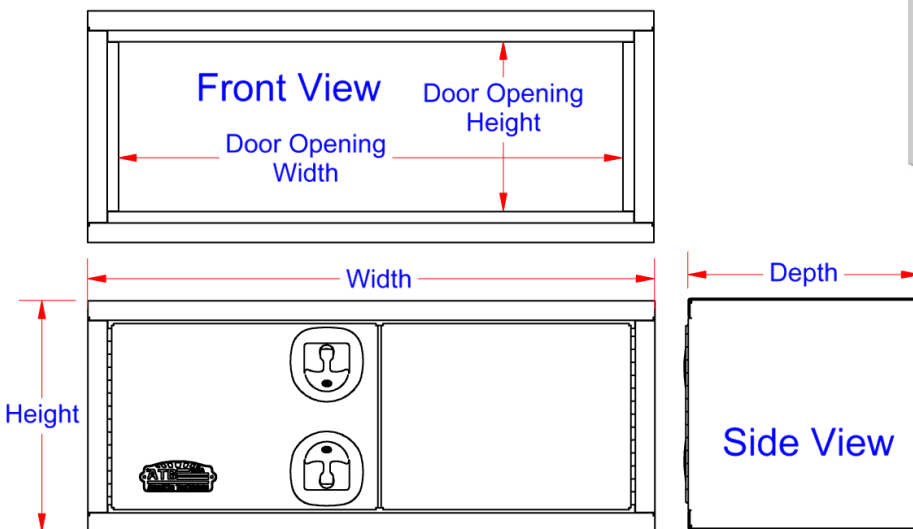
No.	Model Number	Material	Height (in.)	Depth (in.)	Width (in.)	Dim. "M" (in.)	Door Opening Height (in.)	Door Opening Width (in.)	Weight (lb.)
1.	S-SG51-181836DL-*	12 Gauge steel	18	18	36	16-3/8	14-3/8	32-3/8	112
2.	S-SG51-181848DL-*	12 Gauge steel	18	18	48	16-3/8	14-3/8	44-3/8	139
3.	S-SG51-181860DL-*	12 Gauge steel	18	18	60	16-3/8	14-3/8	56-3/8	167
4.	S-SG51-182436DL-*	12 Gauge steel	18	24	36	22-3/8	14-3/8	32-3/8	132
5.	S-SG51-182448DL-*	12 Gauge steel	18	24	48	22-3/8	14-3/8	44-3/8	164
6.	S-SG51-182460DL-*	12 Gauge steel	18	24	60	22-3/8	14-3/8	56-3/8	196
7.	S-SG51-242436DL-*	12 Gauge steel	24	24	36	22-3/8	20-3/8	32-3/8	155
8.	S-SG51-242448DL-*	12 Gauge steel	24	24	48	22-3/8	20-3/8	44-3/8	192
9.	S-SG51-242460DL-*	12 Gauge steel	24	24	60	22-3/8	20-3/8	56-3/8	229
10.	S-SG51-242472DL-*	12 Gauge steel	24	24	72	22-3/8	20-3/8	68-3/8	266

SR - Underbody Boxes - Steel Double Side Open Doors

Underbody boxes are super heavy duty, high capacity and offer easy access from side of truck. Boxes can be mounted with L-Shape or Top Mount Brackets. These boxes are perfect for storing your equipment, like chains, binders, straps, tarps or your personal gear or tools. Underbody boxes are available in different sizes and can be ordered custom size. All AMERICAN TRUCKBOXES boxes are designed and built to keep your equipment safe and secure.

Description

- An engineered steel construction
- Fully seam welded on all seams and corners
- Stainless steel continuous hinge on full length of door
- Fully concealed rain gutter with automotive weather seal
- Channel brace, reinforcement on door.
- Zinc epoxy primer with MR Powder baked topcoat finish
- Lockable SS Dolphin Tail HD adjustable T-handle latch
- Mounting kit not included: (Kits Av.= M2100 • M2200 Series)



Note: *Boxes are available in: Black (B) and White (W) Finish – add after part number.

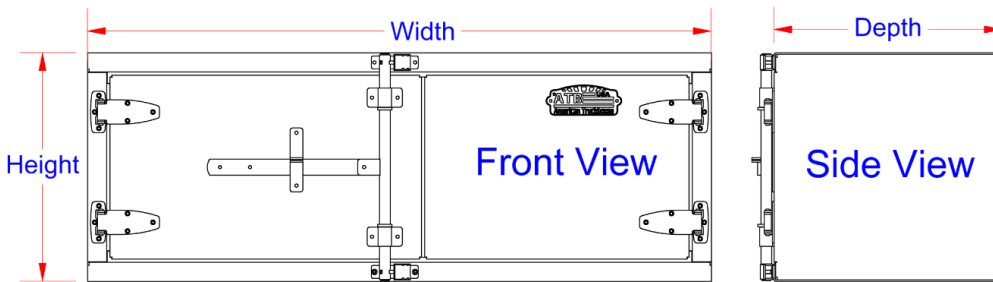
No.	Model Number	Material	Height (in.)	Depth (in.)	Width (in.)	Door Opening Height (in.)	Door Opening Width (in.)	Weight (lb.)
1.	S-SR51-181836DL-*	12 Gauge steel	18	18	36	13-1/8	31-1/8	112
2.	S-SR51-181848DL-*	12 Gauge steel	18	18	48	13-1/8	43-1/8	139
3.	S-SR51-181860DL-*	12 Gauge steel	18	18	60	13-1/8	55-1/8	167
4.	S-SR51-182436DL-*	12 Gauge steel	18	24	36	13-1/8	31-1/8	132
5.	S-SR51-182448DL-*	12 Gauge steel	18	24	48	13-1/8	43-1/8	164
6.	S-SR51-182460DL-*	12 Gauge steel	18	24	60	13-1/8	55-1/8	196
7.	S-SR51-242436DL-*	12 Gauge steel	24	24	36	19-1/8	31-1/8	155
8.	S-SR51-242448DL-*	12 Gauge steel	24	24	48	19-1/8	43-1/8	192
9.	S-SR51-242460DL-*	12 Gauge steel	24	24	60	19-1/8	55-1/8	229
10.	S-SR51-242472DL-*	12 Gauge steel	24	24	72	19-1/8	6-1/8	266

SR - Underbody Boxes - Steel Double Side Open Doors

Underbody boxes are super heavy duty, high capacity and offer easy access from side of truck. Boxes can be mounted with L-Shape or Top Mount Brackets. These boxes are perfect for storing your equipment, like chains, binders, straps, tarps or your personal gear or tools. Underbody boxes are available in different sizes and can be ordered custom size. All AMERICAN TRUCKBOXES boxes are designed and built to keep your equipment safe and secure.

Description

- An engineered steel construction
- Fully seam welded on all seams and corners
- Stainless steel heavy duty flush strap hinges
- Fully concealed reversed rain gutter with automotive weather seal
- Channel brace, reinforcement on door.
- Zinc epoxy primer with MR Powder baked topcoat finish
- Lockable SS Over Center HD latch
- Mounting kit not included: (Kits Av.= M2100 • M2200 Series)



Note: *Boxes are available in: Black (B) and White (W) Finish – add after part number.

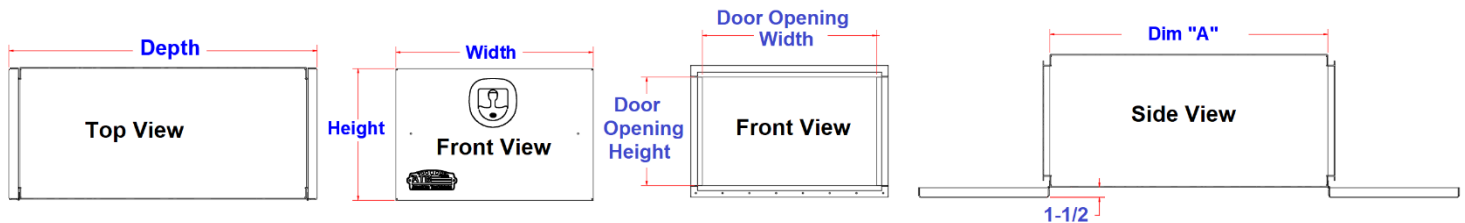
No.	Model Number	Material	Height (in.)	Depth (in.)	Width (in.)	Door Opening Height (in.)	Door Opening Width (in.)	Weight (lb.)
1.	S-SR45-181836DL-*	14 Gauge Steel	18	18	36	13.50	31.50	85
2.	S-SR45-181848DL-*	14 Gauge Steel	18	18	48	13.50	43.50	105
3.	S-SR45-181860DL-*	14 Gauge Steel	18	18	60	13.50	55.50	125
4.	S-SR45-182436DL-*	14 Gauge Steel	18	24	36	13.50	31.50	98
5.	S-SR45-182448DL-*	14 Gauge Steel	18	24	48	13.50	43.50	124
6.	S-SR45-182460DL-*	14 Gauge Steel	18	24	60	13.50	55.50	145
7.	S-SR45-242436DL-*	14 Gauge Steel	24	24	36	19.50	31.50	115
8.	S-SR45-242448DL-*	14 Gauge Steel	24	24	48	19.50	43.50	142
9.	S-SR45-242460DL-*	14 Gauge Steel	24	24	60	19.50	55.50	168
10.	S-SR55-181836DL-*	12 Gauge steel	18	18	36	13-1/8	31-1/8	120
11.	S-SR55-181848DL-*	12 Gauge steel	18	18	48	13-1/8	43-1/8	145
12.	S-SR55-181860DL-*	12 Gauge steel	18	18	60	13-1/8	55-1/8	174
13.	S-SR55-182436DL-*	12 Gauge steel	18	24	36	13-1/8	31-1/8	137
14.	S-SR55-182448DL-*	12 Gauge steel	18	24	48	13-1/8	43-1/8	169
15.	S-SR55-182460DL-*	12 Gauge steel	18	24	60	13-1/8	55-1/8	204
16.	S-SR55-242436DL-*	12 Gauge steel	24	24	36	19-1/8	31-1/8	162
17.	S-SR55-242448DL-*	12 Gauge steel	24	24	48	19-1/8	43-1/8	198
18.	S-SR55-242460DL-*	12 Gauge steel	24	24	60	19-1/8	55-1/8	234
19.	S-SR55-242472DL-*	12 Gauge steel	24	24	72	19-1/8	67-1/8	274

CG - Cargo Boxes - Aluminum Single Drop Open Doors

Cargo boxes are super heavy duty, high capacity and offer easy access from side of truck or trailer. Boxes can be mounted on back of your truck or on the bottom of your trailer. These boxes are perfect for storing landscaping tools, lawn equipment, wood, tarps, your personal gear or tools. cargo boxes are available in different sizes, and can be ordered custom size. All AMERICAN TRUCKBOXES boxes are designed and built to keep your equipment safe and secure.

Description

- An engineered aluminum construction
- Fully seam welded on all seams and corners
- Stainless steel continuous hinge on full length of door
- Fully concealed rain gutter with automotive weather seal
- Lockable SS Dolphin Tail HD adjustable T-handle latch
- Corners are gusseted for added strength and durability
- Aircraft-type nylon coated door cable
- Optional - full length shelf
- Boxes are available in custom size
- Mounting kit not included: (Kits Av. = M2600UD Series)



Note: Box door is available in: Standard = Diamond Tread (T) or for Smooth (S) and Mirror (M) - change end of part number.
Toolboxes less than 38 inches wide come standard with one lock only

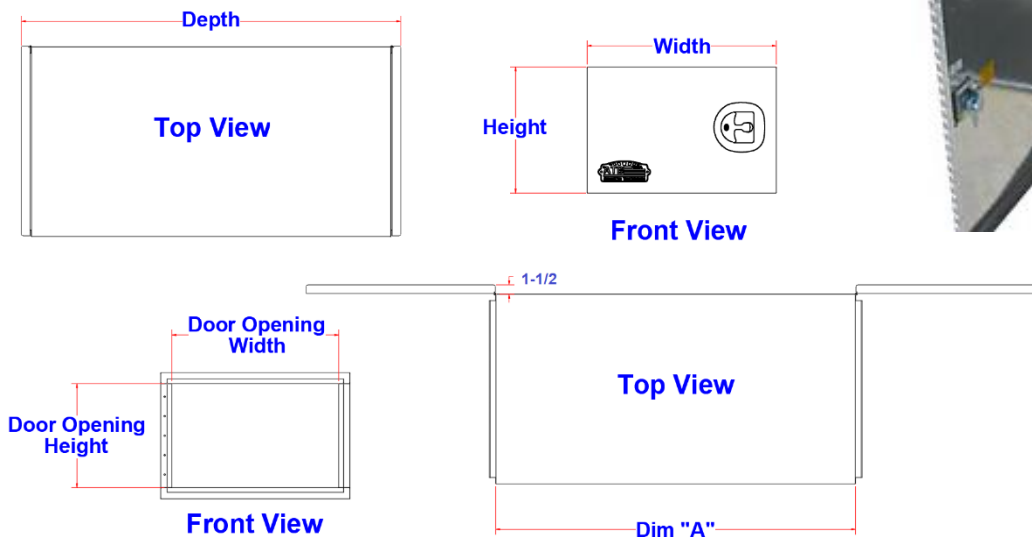
No.	Model Number	Material	Height (in.)	Depth (in.)	Width (in.)	Dim. "A" (in.)	Door Opening Height (in.)	Door Opening Width (in.)	Weight (lb.)
1.	A-CG51-206030SD-T	.125 Smooth/.125 TP	20	60	30	56-3/4	16-3/8	26-3/8	102
2.	A-CG51-187218SD-T	.125 Smooth/.125 TP	18	72	18	68-3/4	14-3/8	14-3/8	82
3.	A-CG51-187224SD-T	.125 Smooth/.125 TP	18	72	24	68-3/4	14-3/8	20-3/8	96
4.	A-CG51-187236SD-T	.125 Smooth/.125 TP	18	72	36	68-3/4	14-3/8	30-3/8	124
5.	A-CG51-188424SD-T	.125 Smooth/.125 TP	18	84	24	80-3/4	14-3/8	20-3/8	106
6.	A-CG51-188436SD-T	.125 Smooth/.125 TP	18	84	36	80-3/4	14-3/8	30-3/8	140
7.	A-CG51-189636SD-T	.125 Smooth/.125 TP	18	96	36	92-3/4	14-3/8	30-3/8	158
8.	A-CG51-1810124SD-T	.125 Smooth/.125 TP	18	101	24	97-3/4	14-3/8	20-3/8	128
9.	A-CG51-1810136SD-T	.125 Smooth/.125 TP	18	101	36	97-3/4	14-3/8	30-3/8	168

CG - Cargo Boxes - Aluminum Single Side Open Doors

Cargo boxes are super heavy duty, high capacity and offer easy access from side of truck or trailer. Boxes can be mounted on back of your truck or on the bottom of your trailer. These boxes are perfect for storing landscaping tools, lawn equipment, wood, tarps, your personal gear or tools. Cargo boxes are available in different sizes, and can be ordered custom size. All AMERICAN TRUCKBOXES boxes are designed and built to keep your equipment safe and secure.

Description

- An engineered aluminum construction
- Fully seam welded on all seams and corners
- Stainless steel continuous hinge on full length of door
- Fully concealed rain gutter with automotive weather seal
- Lockable SS Dolphin Tail HD adjustable T-handle latch
- Corners are gusseted for added strength and durability
- Optional - gas springs
- Optional - full length shelf
- Optional - Aircraft-type nylon coated door cable
- Boxes are available in custom size
- Mounting kit not included: (For frame mount use: M3452C)



Note: Box door is available in: Standard = Diamond Tread (T) or for Smooth (S) and Mirror (M) - change end of part number.
Toolboxes less than 38 inches wide come standard with one lock only

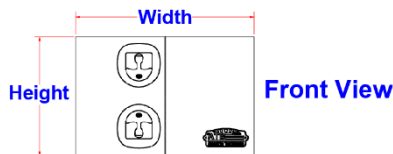
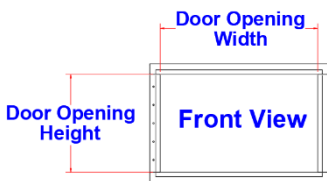
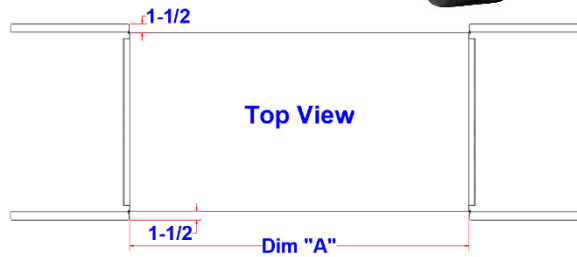
No.	Model Number	Material	Height (in.)	Depth (in.)	Width (in.)	Dim. "A" (in.)	Door Opening Height (in.)	Door Opening Width (in.)	Weight (lb.)
1.	A-CG51-187218SL-T	.125 Smooth/.125 Tread	18	72	18	68-3/4	14-3/8	14-3/8	80
2.	A-CG51-187224SL-T	.125 Smooth/.125 Tread	18	72	24	68-3/4	14-3/8	20-3/8	94
3.	A-CG51-187236SL-T	.125 Smooth/.125 Tread	18	72	36	68-3/4	14-3/8	30-3/8	124
4.	A-CG51-188424SL-T	.125 Smooth/.125 Tread	18	84	24	80-3/4	14-3/8	20-3/8	108
5.	A-CG51-188436SL-T	.125 Smooth/.125 Tread	18	84	36	80-3/4	14-3/8	30-3/8	140
6.	A-CG51-189636SL-T	.125 Smooth/.125 Tread	18	96	36	92-3/4	14-3/8	30-3/8	160

CG - Cargo Boxes - Aluminum Double Side Open Doors

Cargo boxes are super heavy duty, high capacity and offer easy access from side of truck or trailer. Boxes can be mounted on back of your truck or on the bottom of your trailer. These boxes are perfect for storing landscaping tools, lawn equipment, wood, tarps, your personal gear or tool. Cargo boxes are available in different sizes, and can be ordered custom size. All AMERICAN TRUCKBOXES boxes are designed and built to keep your equipment safe and secure.

Description

- An engineered aluminum construction
- Fully seam welded on all seams and corners
- Stainless steel continuous hinge on full length of door
- Fully concealed rain gutter with automotive weather seal
- Lockable SS Dolphin Tail HD adjustable T-handle latch
- Corners are gusseted for added strength and durability
- Optional - gas springs
- Optional - full length shelf
- Boxes are available in custom size
- Mounting kit not included: (Kits Av. = M2600UD Series)



Note: Box door is available in: Standard = Diamond Tread (T) or for Smooth (S) and Mirror (M) - change end of part number.
Toolboxes come with standard with two locks.

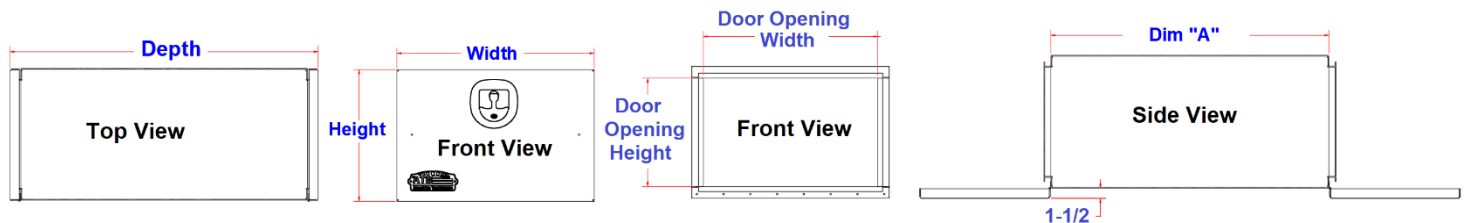
No.	Model Number	Material	Height (in.)	Depth (in.)	Width (in.)	Dim. "A" (in.)	Door Opening Height (in.)	Door Opening Width (in.)	Weight (lb.)
1.	A-CG51-206030DL-T	.125 Smooth/.125 Tread	20	60	30	56-3/4	16-3/8	26-3/8	102
2.	A-CG51-187218DL-T	.125 Smooth/.125 Tread	18	72	18	68-3/4	14-3/8	14-3/8	84
3.	A-CG51-187224DL-T	.125 Smooth/.125 Tread	18	72	24	68-3/4	14-3/8	20-3/8	98
4.	A-CG51-187236DL-T	.125 Smooth/.125 Tread	18	72	36	68-3/4	14-3/8	30-3/8	126
5.	A-CG51-188424DL-T	.125 Smooth/.125 Tread	18	84	24	80-3/4	14-3/8	20-3/8	110
6.	A-CG51-188436DL-T	.125 Smooth/.125 Tread	18	84	36	80-3/4	14-3/8	30-3/8	140
7.	A-CG51-189636DL-T	.125 Smooth/.125 Tread	18	96	36	92-3/4	14-3/8	30-3/8	164
8.	A-CG51-1810124DL-T	.125 Smooth/.125 Tread	18	101	24	97-3/4	14-3/8	20-3/8	130
9.	A-CG51-1810136DL-T	.125 Smooth/.125 Tread	18	101	36	97-3/4	14-3/8	30-3/8	172

CG - Cargo Boxes - Steel Single Drop Open Doors

Cargo boxes are super heavy duty, high capacity and offer easy access from side of truck or trailer. Boxes can be mounted on back of your truck or on the bottom of your trailer. These boxes are perfect for storing landscaping tools, lawn equipment, wood, tarps, your personal gear or tools. Cargo boxes are available in different sizes, and can be ordered custom size. All AMERICAN TRUCKBOXES boxes are designed and built to keep your equipment safe and secure.

Description

- An engineered steel construction
- Fully seam welded on all seams and corners
- Stainless steel continuous hinge on full length of door
- Fully concealed rain gutter with automotive weather seal
- Channel brace, reinforcement on door, larger boxes.
- Lockable SS Dolphin Tail HD adjustable T-handle latch
- Zinc epoxy primer with MR Powder baked topcoat finish
- Aircraft-type nylon coated door cable
- **Boxes are available in custom size**
- Mounting kit not included: (Kits Av. = M2600UD Series)



Note: *Boxes are available in: Black (B) and White (W) Finish – add after part number.

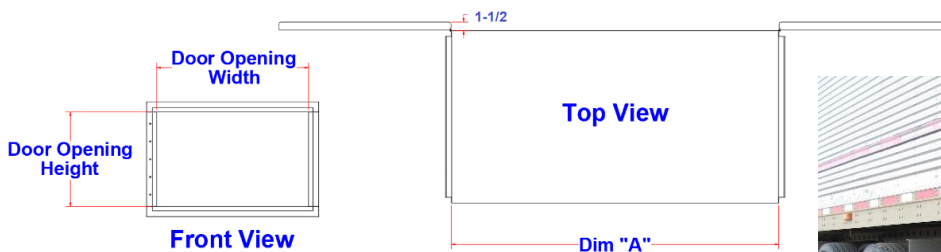
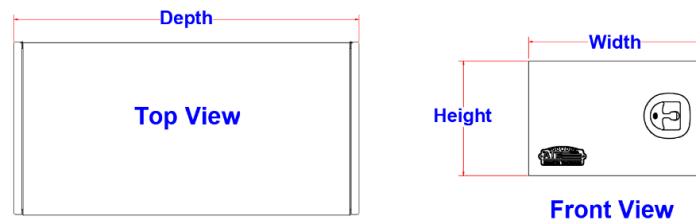
No.	Model Number	Material	Height (in.)	Depth (in.)	Width (in.)	Dim. "A" (in.)	Door Opening Height (in.)	Door Opening Width (in.)	Weight (lb.)
1.	S-CG41-206030SD-*	14 Gauge steel	20	60	30	56-3/4	16-3/8	26-3/8	178
2.	S-CG41-187218SD-*	14 Gauge steel	18	72	18	68-3/4	14-3/8	14-3/8	138
3.	S-CG41-187224SD-*	14 Gauge steel	18	72	24	68-3/4	14-3/8	20-3/8	164
4.	S-CG41-187236SD-*	14 Gauge steel	18	72	36	68-3/4	14-3/8	30-3/8	222
5.	S-CG41-188424SD-*	14 Gauge steel	18	84	24	80-3/4	14-3/8	20-3/8	186
6.	S-CG41-188436SD-*	14 Gauge steel	18	84	36	80-3/4	14-3/8	30-3/8	250
7.	S-CG41-189636SD-*	14 Gauge steel	18	96	36	92-3/4	14-3/8	30-3/8	280
8.	S-CG41-1810124SD-*	14 Gauge steel	18	101	24	97-3/4	14-3/8	20-3/8	230
9.	S-CG41-1810136SD-*	14 Gauge steel	18	101	36	97-3/4	14-3/8	30-3/8	310

CG - Cargo Boxes - Steel Single Side Open Doors

Cargo boxes are super heavy duty, high capacity and offer easy access from side of truck or trailer. Boxes can be mounted on back of your truck or on the bottom of your trailer. These boxes are perfect for storing landscaping tools, lawn equipment, wood, tarps, your personal gear or tools. Cargo boxes are available in different sizes, and can be ordered custom size. All AMERICAN TRUCKBOXES boxes are designed and built to keep your equipment safe and secure.

Description

- An engineered steel construction
- Fully seam welded on all seams and corners
- Stainless steel continuous hinge on full length of door
- Fully concealed rain gutter with automotive weather seal
- Channel brace, reinforcement on door, larger boxes.
- Lockable SS Dolphin Tail HD adjustable T-handle latch
- Zinc epoxy primer with MR powder baked topcoat finish
- Optional - gas spring available
- Boxes are available in custom size
- Mounting kit not included: (Kits Av. = M2600UD Series)



Note: *Boxes are available in: Black (B) and White (W) Finish – add after part number.

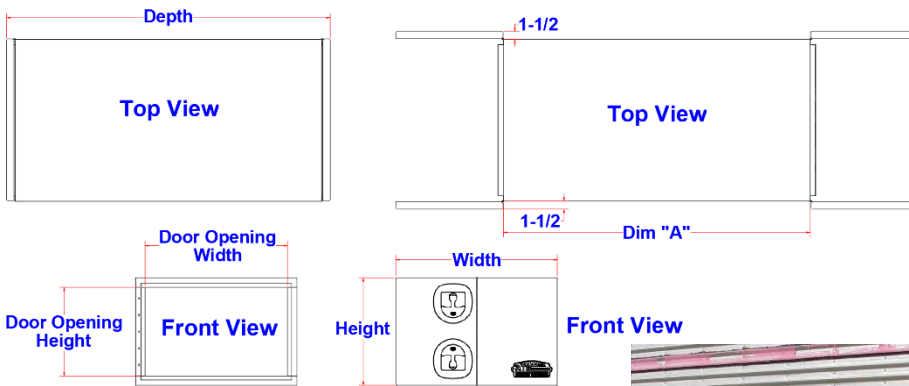
No.	Model Number	Material	Height (in.)	Depth (in.)	Width (in.)	Dim. "A" (in.)	Door Opening Height (in.)	Door Opening Width (in.)	Weight (lb.)
1.	S-CG41-206030SL-*	14 Gauge steel	20	60	30	56-3/4	16-3/8	26-3/8	172
2.	S-CG41-187218SL-*	14 Gauge steel	18	72	18	68-3/4	14-3/8	14-3/8	138
3.	S-CG41-187224SL-*	14 Gauge steel	18	72	24	68-3/4	14-3/8	20-3/8	164
4.	S-CG41-187236SL-*	14 Gauge steel	18	72	36	68-3/4	14-3/8	30-3/8	214
5.	S-CG41-188424SL-*	14 Gauge steel	18	84	24	80-3/4	14-3/8	20-3/8	186
6.	S-CG41-188436SL-*	14 Gauge steel	18	84	36	80-3/4	14-3/8	30-3/8	242
7.	S-CG41-189636SL-*	14 Gauge steel	18	96	36	92-3/4	14-3/8	30-3/8	270
8.	S-CG41-1810124SL-*	14 Gauge steel	18	101	24	97-3/4	14-3/8	20-3/8	224
9.	S-CG41-1810136SL-*	14 Gauge steel	18	101	36	97-3/4	14-3/8	30-3/8	288

CG - Cargo Boxes - Steel Double Side Open Doors

Cargo boxes are super heavy duty, high capacity and offer easy access from side of truck or trailer. Boxes can be mounted on back of your truck or on the bottom of your trailer. These boxes are perfect for storing landscaping tools, lawn equipment, wood, tarps, your personal gear or tools. Cargo boxes are available in different sizes, and can be ordered custom size. All AMERICAN TRUCKBOXES boxes are designed and built to keep your equipment safe and secure.

Description

- An engineered steel construction
- Fully seam welded on all seams and corners
- Stainless steel continuous hinge on full length of door
- Fully concealed rain gutter with automotive weather seal
- Channel brace, reinforcement on door.
- Lockable SS Dolphin Tail HD adjustable T-handle latch
- Zinc epoxy primer with MR powder baked topcoat finish
- Aircraft-type nylon coated door cable
- Boxes are available in custom size
- Mounting kit not included: (Kits Av. = M2600UD Series)



Note: *Boxes are available in: Black (B) and White (W) Finish – add after part number.

No.	Model Number	Material	Height (in.)	Depth (in.)	Width (in.)	Dim. "A" (in.)	Door Opening Height (in.)	Door Opening Width (in.)	Weight (lb.)
1.	S-CG41-206030DL-*	14 Gauge steel	20	60	30	56-3/4	16-3/8	26-3/8	172
2.	S-CG41-187218DL-*	14 Gauge steel	18	72	18	68-3/4	14-3/8	14-3/8	138
3.	S-CG41-187224DL-*	14 Gauge steel	18	72	24	68-3/4	14-3/8	20-3/8	164
4.	S-CG41-187236DL-*	14 Gauge steel	18	72	36	68-3/4	14-3/8	30-3/8	214
5.	S-CG41-188424DL-*	14 Gauge steel	18	84	24	80-3/4	14-3/8	20-3/8	186
6.	S-CG41-188436DL-*	14 Gauge steel	18	84	36	80-3/4	14-3/8	30-3/8	242
7.	S-CG41-189636DL-*	14 Gauge steel	18	96	36	92-3/4	14-3/8	30-3/8	270
8.	S-CG41-1810136DL-*	14 Gauge steel	18	101	36	97-3/4	14-3/8	30-3/8	288
9.	S-CG41-1810148DL-*	14 Gauge steel	18	101	48	97-3/4	14-3/8	42-3/8	360

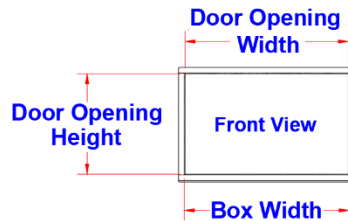
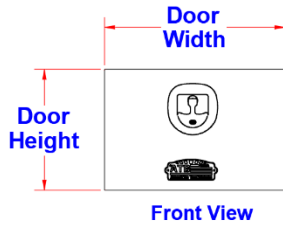
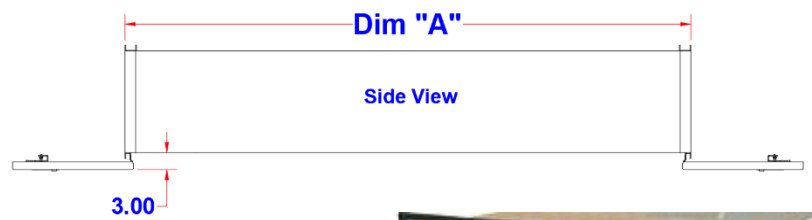
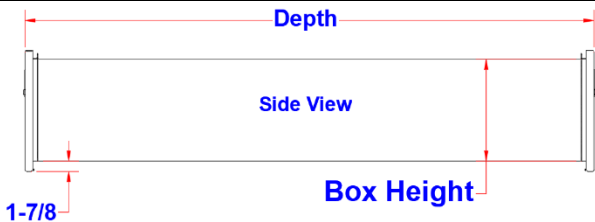
PE - Panel Boxes - Aluminum Single Drop Open Doors

Cargo boxes are super heavy duty, high capacity and offer easy access from side of truck or trailer. Boxes can be mounted on back of your truck or on the bottom of your trailer. These boxes are perfect for storing side panels, tools, wood, tarps or your personal gear. Panel boxes are available in different sizes, and can be ordered custom size. All AMERICAN TRUCKBOXES boxes are designed and built to keep your equipment safe and secure.

Description

- An engineered aluminum construction
- Fully seam welded on all seams and corners
- Stainless steel continuous hinge on full length of door
- Fully concealed rain gutter with automotive weather seal
- Lockable SS Dolphin Tail HD adjustable T-handle latch
- Corners are gusseted for added strength and durability
- Reinforced door frame
- Aircraft-type nylon coated door cable
- Boxes are available in custom size

Mounting kit not included: (Kits Av. = M2600UD Series)



Note: Box door is available in: Standard = Smooth (S) or for Diamond Tread (T) and Mirror (M) - change end of part number.
Toolboxes less than 38 inches wide come standard with one lock only.

No.	Model Number	Material	Height (in.)	Depth (in.)	Width (in.)	Door Height (in.)	Door Width (in.)	Door Opening Height (in.)	Door Opening Width (in.)	Dim. "A" (in.)	Weight (lb.)
1.	A-PE51-1210120-S	.125 Smooth	12	101	20	15-1/4	22-3/4	11-5/8	19-3/4	99-1/2	98
2.	A-PE51-1610124-S	.125 Smooth	16	101	24	19-1/4	26-3/4	15-5/8	23-3/4	99-1/2	124
3.	A-PE51-1810124-S	.125 Smooth	18	101	24	21-1/4	26-3/4	17-5/8	23-3/4	99-1/2	128
4.	A-PE51-1810130-S	.125 Smooth	18	101	30	21-1/4	32-3/4	17-5/8	29-3/4	99-1/2	150
5.	A-PE51-1810136-S	.125 Smooth	18	101	36	21-1/4	38-3/4	17-5/8	35-3/4	99-1/2	170
6.	A-PE51-1810148-S	.125 Smooth	18	101	48	21-1/4	46-3/4	17-5/8	47-3/4	99-1/2	216

M2000 Series = Steel L-Shape Fixed Brackets for C-Frame Application.

Fixes L-shape mounting brackets are super heavy duty, and mounted to C-frame or I-frame applications. All AMERICAN TRUCKBOXES mounting kits are designed and built to keep your boxes safe and secure.

Description							
• An engineered .125, .187 & .250 steel							
• Zinc epoxy primer with MR powder baked topcoat finish							
• Welded angled cross support							
• Predrilled hole for easy mounting							
No.	Part Number	Application	Material Gauge	Brackets Qty.	Height Depth	Weight Per Set	Load Rating
1.	M2050C	C-Frame	1/8	2	20" x 20"	28 lbs.	300 lbs. Max
2.	M2060C	C-Frame	3/16	2	20" x 24"	32 lbs.	500 lbs. Max
3.	C2060C-3	C-Frame	3/16	3	20" x 24"	48 lbs.	500 lbs. Max
4.	M2070C	C-Frame	3/16	2	24" x 24"	34 lbs.	500 lbs. Max
5.	M2070C-3	C-Frame	3/16	3	24" x 24"	50 lbs.	500 lbs. Max
6.	M2100C	C-Frame	3/16	2	28" x 25"	42 lbs.	500 lbs. Max
7.	M2100C-3	C-Frame	3/16	3	28" x 25"	62 lbs.	500 lbs. Max
8.	M2104C	C-Frame	3/16	2	28" x 28"	46 lbs.	500 lbs. Max
9.	M2104C-3	C-Frame	3/16	3	28" x 28"	66 lbs.	500 lbs. Max
10.	M2120C	C-Frame	1/4	2	28" x 25"	54 lbs.	700 lbs. Max
11.	M2120C-3	C-Frame	1/4	3	28" x 25"	80 lbs.	700 lbs. Max
12.	M2124C	C-Frame	1/4	2	28" x 28"	62 lbs.	700 lbs. Max
13.	M2124C-3	C-Frame	1/4	3	28" x 28"	93 lbs.	700 lbs. Max
14.	M2130C	C-Frame	1/4	2	36" x 34"	72 lbs.	700 lbs. Max
15.	M2130C-3	C-Frame	1/4	3	36" x 34"	108 lbs.	700 lbs. Max
16.	M2100I	I-Frame	3/16	2	28" x 25"	44 lbs.	700 lbs. Max
17.	M2120I	I-Frame	1/4	2	28" x 25"	56 lbs.	700 lbs. Max
18.	M2130I	I-Frame	1/4	2	36" x 34"	76 lbs.	700 lbs. Max



L-CB Series = Steel Cross Beams for M2100 Series Brackets.

Cross beams are super heavy duty, and mounted between the 2100 series L-brackers. Cross beam supports the bottom of box when heavy objects are loaded into box. All AMERICAN TRUCKBOXES mounting kits are designed and built to keep your boxes safe and secure.

Description					
• An engineered 1.5" x 3.0" .187 (3/16g) steel					
• Zinc epoxy primer with MR powder baked topcoat finish					
• An engineered 1.5" x 3.0" .250 (1/4g) aluminum					
• Predrilled 1/2" holes for easy mounting					
No.	Part Number	Application	Length	Weight	Load Rating
1.	L-CB24A	Alum Under Box	24" – 16 5/8"	2.2 lbs.	500 lbs. Max
2.	L-CB30A	Alum Under Box	30" – 22-5/8"	2.8 lbs.	500 lbs. Max
3.	L-CB36A	Alum Under Box	36" – 28-5/8"	3.5 lbs.	500 lbs. Max
4.	L-CB48A	Alum Under Box	48" – 40-5/8"	4.8 lbs.	500 lbs. Max
5.	L-CB60A	Alum Under Box	60" – 52-5/8"	6.4 lbs.	500 lbs. Max
6.	L-CB72A	Alum Under Box	72" – 64-5/8"	7.8 lbs.	500 lbs. Max
7.	L-CB24S	Steel Under Box	24" – 16 5/8"	4.8 lbs.	500 lbs. Max
8.	L-CB30S	Steel Under Box	30" – 22-5/8"	6.0 lbs.	500 lbs. Max
9.	L-CB36S	Steel Under Box	36" – 28-5/8"	7.5 lbs.	500 lbs. Max
10.	L-CB48S	Steel Under Box	48" – 40-5/8"	10.5 lbs.	500 lbs. Max
11.	L-CB60S	Steel Under Box	60" – 52-5/8"	14.0 lbs.	500 lbs. Max
12.	L-CB72S	Steel Under Box	72" – 64-5/8"	17.0 lbs.	500 lbs. Max



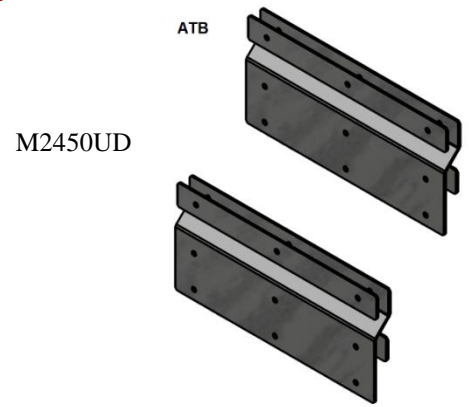
M2450D Series = Aluminum Underbody Top Mount Application

Adjustable under deck top mount brackets are heavy duty, and mounted to box and under van cross beam applications. All AMERICAN TRUCKBOXES mounting kits are designed and built to keep your boxes safe and secure. (See Mounting Kit Installation Sheet for more information)

Description

- An engineered .190 (7g) Aluminum construction
- Predrilled holes adjustable for easy mounting

Part No.	Part Number	Application	Height Width	Weight Per Set	Load Rating
1.	M2450UD-6-18B	Under Deck	6"x 15.5"	13 lbs.	250 lbs. Max
2.	M2450UD-6-20B	Under Deck	6"x 17.5"	14 lbs.	250 lbs. Max
3.	M2450UD-6-22B	Under Deck	6"x 19.5"	15 lbs.	250 lbs. Max
4.	M2450UD-6-24B	Under Deck	6"x 21.5"	16 lbs.	250 lbs. Max
5.	M2450UD-12-18B	Under Deck	12"x 15.5"	20 lbs.	250 lbs. Max
6.	M2450UD-12-20B	Under Deck	12"x 17.5"	12 lbs.	250 lbs. Max
7.	M2450UD-12-22B	Under Deck	12"x 19.5"	24 lbs.	250 lbs. Max
8.	M2450UD-12-24B	Under Deck	12"x 21.5"	26 lbs.	250 lbs. Max



M2600UD Series = Under Deck Top Mount Application

Adjustable under deck top mount brackets are heavy duty, and mounted to box and under van cross beam applications. All AMERICAN TRUCKBOXES mounting kits are designed and built to keep your boxes safe and secure. (See Mounting Kit Installation Sheet for more information)

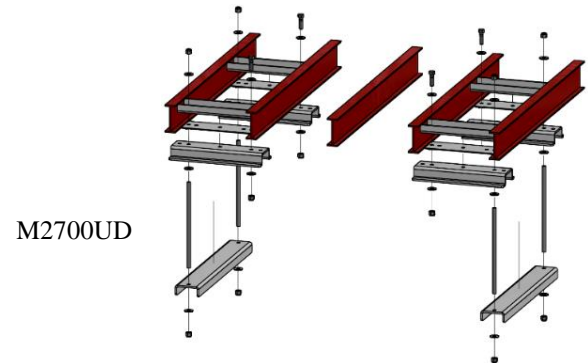
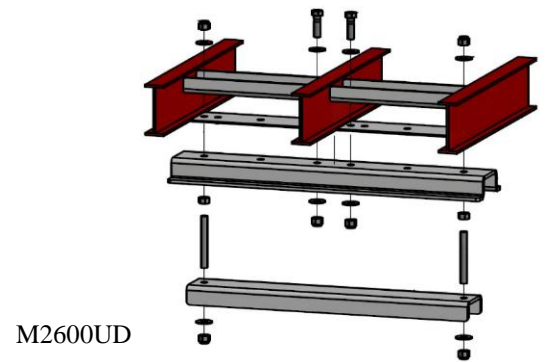
Description

- An engineered .25 (1/4g) Aluminum construction
- Predrilled holes adjustable for easy mounting

Part No.	Part Number	hxw	Application	Height Depth	Weight Per Each	Load Rating Each
1.	M2600UD-2424-1S		Under Deck	N/A	16 lbs.	250 lbs. Max
2.	M2600UD-2424-2S		Under Deck	N/A	32 lbs.	350 lbs. Max
3.	M2600UD-2430-1S		Under Deck	N/A	21 lbs.	250 lbs. Max
4.	M2600UD-2430-2S		Under Deck	N/A	42 lbs.	350 lbs. Max
5.	M2600UD-2436-1S		Under Deck	N/A	24 lbs.	250 lbs. Max
6.	M2600UD-2436-2S		Under Deck	N/A	48 lbs.	350 lbs. Max
7.	M2600UD-2440-1S		Under Deck	N/A	28 lbs.	250 lbs. Max
8.	M2600UD-2440-2S		Under Deck	N/A	56 lbs.	350 lbs. Max
9.	M2600UD-2448-1S		Under Deck	N/A	34 lbs.	250 lbs. Max
10.	M2600UD-2448-2S		Under Deck	N/A	68 lbs.	350 lbs. Max

Note: For None Adjustable Brackets use M2650UD Series Brackets.

D						
1.	M2700UD-24-2-S		Under Deck	N/A	12 lbs.	350 lbs. Max
2.	M2700UD-24-3-S		Under Deck	N/A	36 lbs.	550 lbs. Max



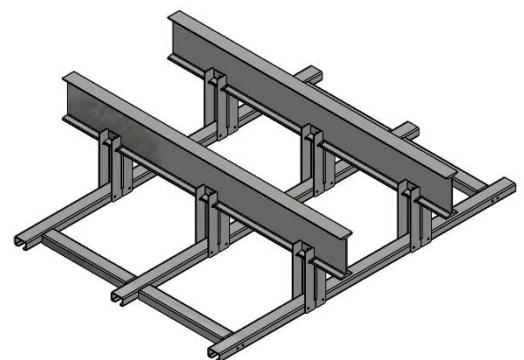
M6000I Series = I-Beam Under Trailer Mount Application

I-beam under trailer mount brackets are heavy duty, and mounted to the I-Beams under trailer with cross beams. All AMERICAN TRUCKBOXES mounting kits are designed and built to keep your boxes safe and secure. (See Mounting Kit Installation Sheet for more information)

Description

- An engineered .25 (1/4g) steel construction and powder coated
- Predrilled holes for easy mounting

Part No.	Part Number	Tank Series	Bolt Size	Spring	Tank Gallons
1.	M6000I-24-24-2B	Under I-Beam	24x24	280 lbs.	500 lbs. Max
2.	M6000I-24-24-3B	Under I-Beam	24x24	460 lbs.	1000 lbs. Max



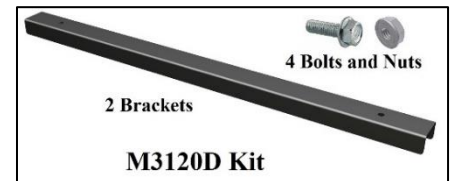
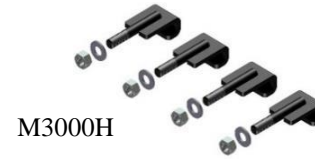
M3000 Series = C-Frame Mount Application.

Hook or direct mount brackets are heavy duty, and used to mount boxes direct to C-frame applications. All AMERICAN TRUCKBOXES mounting kits are designed and built to keep your boxes safe and secure.

Description

- Steel construction
- Zinc epoxy primer with MR powder baked topcoat finish
- Hook system (M3000H) requires no drilling to truck frame.

No.	Part Number	Box Series	Bolt Size	Weight Per Set	Load Rating
1.	M3000C	SB	1/2"	2 lbs.	150 lbs. Max
2.	M3000H	SB	5/8" – 4.5"	5 lbs.	150 lbs. Max
3.	M3001H	SB	5/8" – 6.0"	6 lbs.	150 lbs. Max
4.	M3050C	SF-SO-BB	5/8"	20 lbs.	250 lbs. Max
5.	M3120D	DP-TC	5/16"	18 lbs.	100 lbs. Max



M3200 Series = Top Deck Mount Application

Top deck mount brackets are used for mounting boxes to a deck or flat surface. All AMERICAN TRUCKBOXES mounting kits are designed and built to keep your boxes safe and secure.

Description

- Fasteners and rubber
- Requires drilling on box and mounting surface

No.	Part Number	Box Series	Bolt Size	Weight Per Set	Load Rating
1.	M3200D	TC Chest Boxes	5/16"	2 lbs.	Bolt-N/A
2.	M3200D-DU2	TC Chest Boxes	5/16"	4 lbs.	Bolt-N/A
3.	M3200D-DU3	TC Chest Boxes	5/16"	6 lbs.	Bolt-N/A



M3400 Series = C-Frame Mount Application.

Mounting brackets are used to mount rack and cargo boxes to C-frame on truck. All AMERICAN TRUCKBOXES mounting kits are designed and built to keep your boxes safe and secure.

Description

- Steel construction
- Zinc epoxy primer with MR powder baked topcoat finish
- U-Bolt system requires no drilling to frame

No.	Part Number	Box Series	Bolt Size	Weight Per Set	Load Rating
1.	M3400I-62	RB-Rack-Beam	5/8"	22 lbs.	U-Bolt-N/A
2.	M3400I-75	RB-Rack-Beam	3/4"	28 lbs.	U-Bolt-N/A
3.	M3410I	RB-Rack-Beam	1/2"	12 lbs.	Clamp-N/A
4.	M3400L	Frame-Flush	1/2"	6 lbs.	Clamp-N/A
5.	M3450C	4=U-Bolts, Washer – Nuts - Rubber - 3-5/8"CC x 14-1/4"ID	5/8"	12 lbs.	U-Bolt-N/A
6.	M3452C	4=U-Bolts, Washer – Nuts - Rubber - Plates 3-5/8"CC x 14-1/4" ID	5/8"	18 lbs.	U-Bolt-N/A
7.	M3454C	CP Boxes - U-Bolt Mount Kit W/Springs 4-1/4"CC x 15-3/8" ID CP Boxes	5/8"	24 lbs.	U-Bolt-N/A



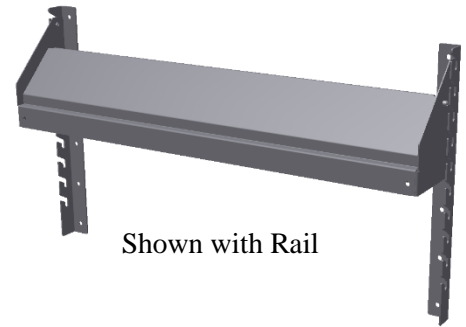
CH-SF2 Series = Steel Chain Hangers with Cover

CH-SF2 series chain hangers are heavy duty and mounted inside box to store and organize your chains and chain binders. Hangers come with adjustable vertical rail kit. Hangers can be ordered in any size to fit any box. All AMERICAN TRUCKBOXES chain hanger kits are designed and built to keep your chains organized.

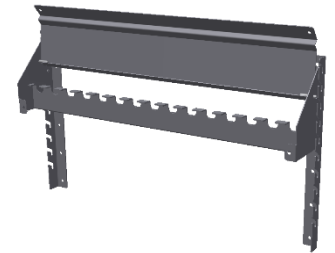
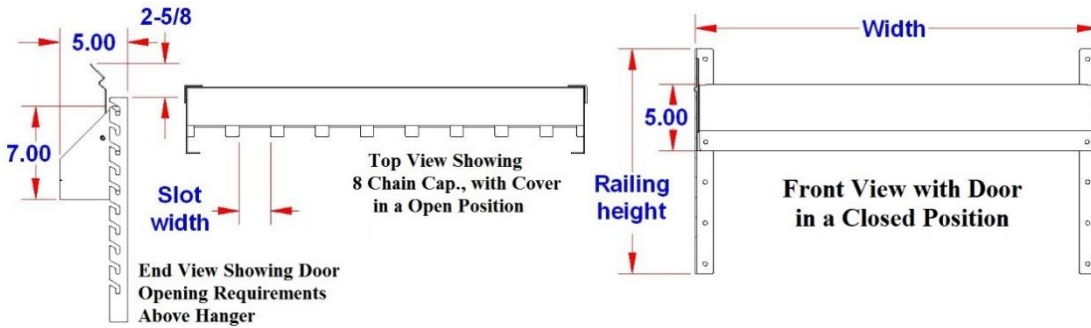
Description

• 12 & 14 gauge steel construction & powder finish

No.	Part Number	Box Series	Bolt Size	Weight Lbs.	Load Rating
1.	CH-SF2-3319	RB-Rack Outside	5/16	9	N/A
2.	CH-SF2-3325	RB-Rack Middle	5/16	11	N/A



Shown with Rail



CHS Series = Steel Chain Hangers Strap

CHS series chain hangers strap are heavy duty and mounted inside box to store and organize your chains and chain binders. Hangers are different depths, height adjustable and mounted on vertical rail kit. Hangers can be ordered in any size to fit any box. All AMERICAN TRUCKBOXES chain hanger kits are designed and built to keep your chains organized.

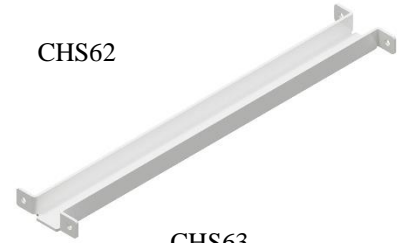
Description

• 3/16" and 1/4" steel with Zinc epoxy primer with MR powder baked topcoat finish

No.	Part Number	Description	Mat.	Bolt Size	Length	Weight Lbs.	Load Rating
1.	CHS61-2312-W	Bolt-On Single Hanger	3/16	7/16"	Standard	2.6	250
2.	CHS62-2224-W	Bolt-In Single Hanger	3/16	7/16"	SB/SF -1/2"	8.6	300
3.	CHS72-2236-W	Bolt-In Single Hanger	1/4	7/16"	SB/SF -1/2"	14.8	300
4.	CHS63-2324-W	Bolt-In Double Hanger	3/16	7/16"	SB/SF -1/2" TC -1.25	12.0	300
5.	CHS73-2336-W	Bolt-In Double Hanger	1/4	7/16"	SB/SF -1/2"	22.0	300
6.	CHS74-3319-W	RB-Rack Outside	1/4	5/16"	RB=19	5.1	250
7.	CHS74-3325-W	RB-Rack-Middle	1/4	5/16"	RB=25	6.4	250
8.	CHS74-6619-W	RB-Rack Outside	1/4	5/16"	RB=19	6.6	250
9.	CHS74-6625-W	RB-Rack-Middle	1/4	5/16"	RB=25	7.9	250



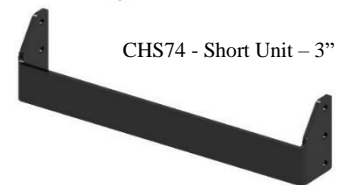
CHS61



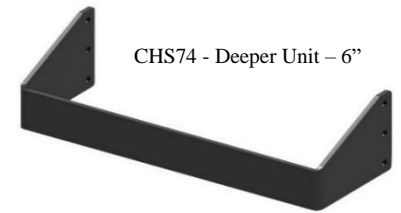
CHS62



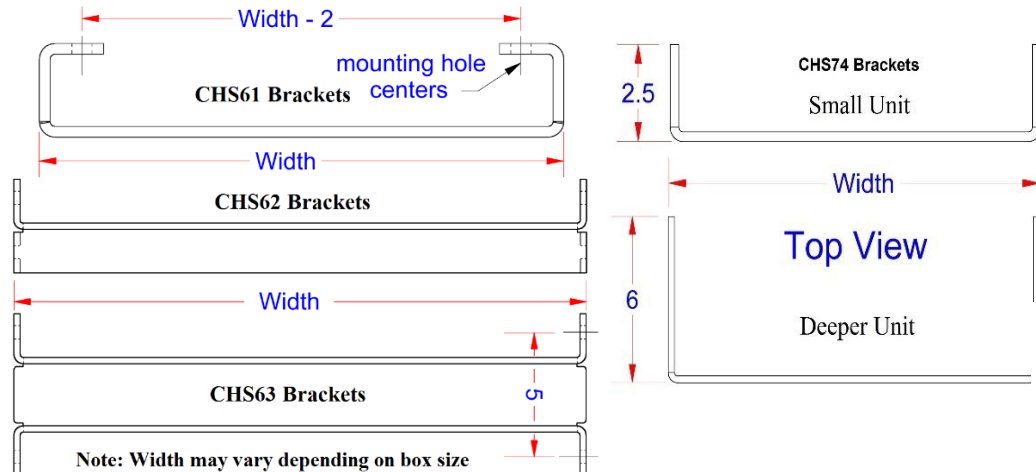
CHS63



CHS74 - Short Unit - 3"



CHS74 - Deeper Unit - 6"



Note: CHS61 Bracket is limited to weight & width, double bracket if longer than 12" in width.

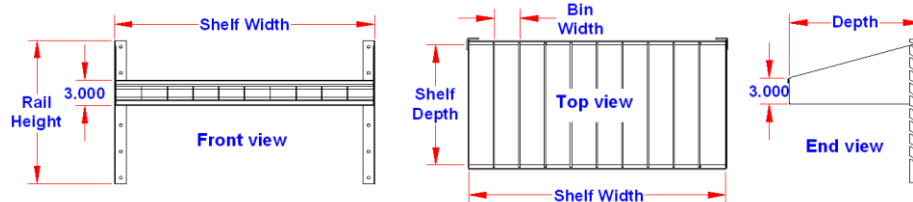
SU Series = Steel Shelf with Dividers.

SU1 series shelves are heavy duty and mounted inside box to store and organize your tools or parts. Shelves are adjustable up and down and the divider are removable. Shelves can be ordered in any size to fit any box. All AMERICAN TRUCKBOXES shelf kits are designed and built to keep your tools organized.

Description

• 16 & 18 gauge steel construction and powder coated finish

No.	Part Number	Application	Bolt Size	Weight Specs	Load Rating
1.	SU	Rack Bolt-In	5/16"	N/A	Varies



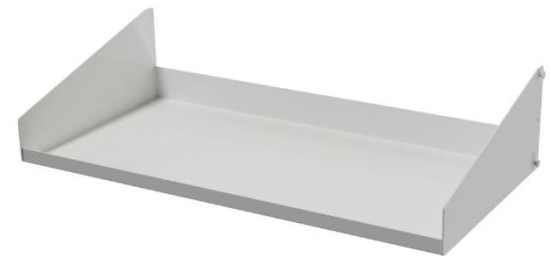
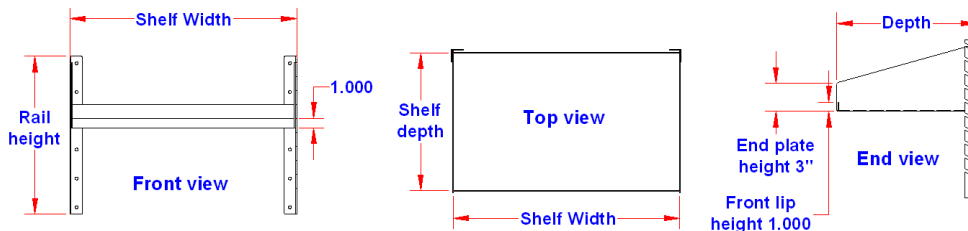
SF Series = Steel Shelf

SF2 series shelves are heavy duty and mounted inside box to store and organize your tools or parts. Shelves can be ordered in any size to fit any box. All AMERICAN TRUCKBOXES shelf kits are designed and built to keep your tools organized.

Description

• 14 gauge steel powder coated

No.	Part Number	Application	Bolt Size	Weight Per Set	Load Rating
1.	SF	Rack Bolt-In	5/16"	N/A	Varies



Tool Organizers.

TO series tool organizers are heavy duty and are inserted inside tool box to store and organize your tools. Tool organizers are removable. Tool organizers can be ordered in different size to fit most boxes. All AMERICAN TRUCKBOXES tool organizers are designed and built to keep your tools organized.

Description

• 18 gauge steel construction and powder coated finish

• Optional rubber floor pads (use MTOP-1)

No.	Part Number	Application	Wrench Set	Drawer - Shelf	Height (in.)	Depth (in.)	Width (in.)
1.	S-WO51-2114-10R	Wrench Hanger	3/8 - 1	-	1-3/4	1-1/16	16-1/2
2.	S-WO51-2118-14R	Wrench Hanger	3/8 - 1-1/4	-	1-3/4	1-1/16	18-1/2
3.	S-DO41-	Screwdriver Holder	3/16" - 3/4"	-	3	4	12
4.	S-SO51-	Socket Holder Set	1/4, 3/8 & 1/2	-	-	-	-
5.	MTOP-1	Rubber Bumper Pads	6-Pads	-	-	-	-
6.	S-TO31-141620-R	Fixed Tool Organizer	3/8 - 15/16	N/A	14	16	20
7.	S-TO31-141626-R	Fixed Tool Organizer	3/8 - 15/16	N/A	14	16	26
8.	S-TO31-162120-R	Fixed Tool Organizer	3/8 - 1-1/6	N/A	16	21	20
9.	S-TO32-101420-R1	Drawer Tool Organizer	1/4 - 1-1/4	1-1	9.5	14	20
10.	S-TO32-141620-R2	Drawer Tool Organizer	1/4 - 1-1/4	2-1	14	16	20
11.	S-TO32-141626-R2	Drawer Tool Organizer	1/4 - 1-1/4	2-1	14	16	26



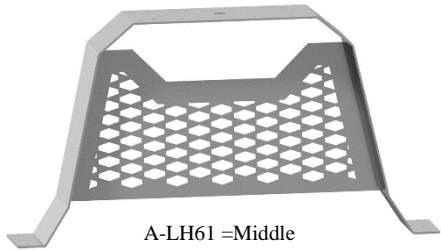
LH Series = Aluminum Beacon Strobe Light Holder

ALH5 series beacon light holders are heavy duty and mounted on top of rack box or truck. Holders can be ordered in any size to fit any application. All AMERICAN TRUCKBOXES holders are designed and built to keep your lights secure.

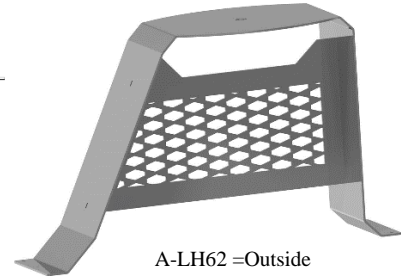
Description

- .190 (3/16 gauge) aluminum construction

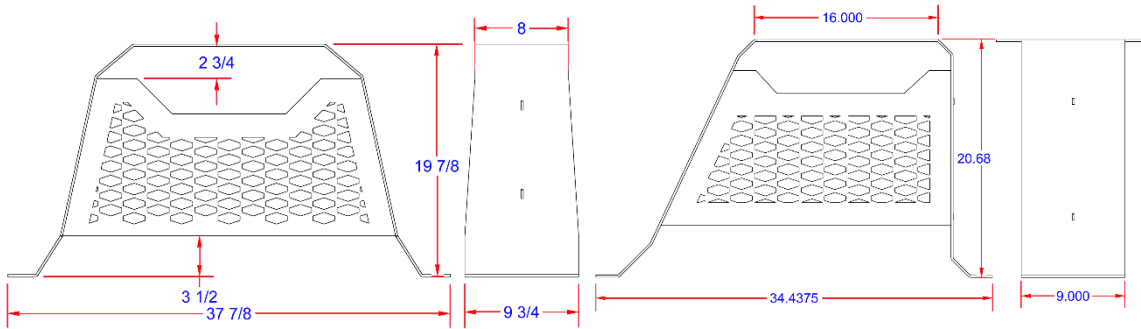
No.	Part Number	Application	Bolt Size	Weight Per Set	Load Rating
1.	A-LH61-201036-S	Top Bolt-On	3/8"	16	N/A
2.	A-LH62-20926-S	Top Bolt-On	3/8"	12	N/A



A-LH61 =Middle



A-LH62 =Outside



LB Series = Light Bar - Top Mount Application

Light bars are heavy duty, and can be mounted on top of rack boxes or many other applications. Bar can be ordered in different sizes and lengths. All AMERICAN TRUCKBOXES light bars are designed and built to light up and make your truck looking great.

Description

- Stainless steel mirror finish
- LED lighting with all quick disconnects and all soldered wiring
- Light hoods (optional)

No.	Part Number	Box Series	Bolt Size	Weight (lbs.)	Load Rating
1.	SS-LB4L-7278-10R	Top Mounted For 80" Rack 7.5" x 2" x 78"	3/8	30 lbs.	N/A
2.	SS-LB4L-7282-10R	Top Mounted For 84" Rack 7.5" x 2" x 82"	3/8	38 lbs.	N/A



BB Series = Bumper Light Bar - Rear Mount Application.

Bumper light bars are heavy duty and can be mounted on rear of truck frame. Light bar can be ordered in different sizes and lengths. Light bar comes with LED's, mud flaps and mounting brackets. All AMERICAN TRUCKBOXES light bars are designed and built to light up your truck and make your truck looking great and safe.

Description

- Stainless steel mirror finish, steel powder coated back mounts
- LED lighting with all quick disconnects and all soldered wiring
- Heavy duty mounting brackets and back plate
- Mud flaps and bottom mirror plates
- 5 wire connection with ground

No.	Part Number	Box Series	Bolt Size	Weight (lbs.)	Load Rating
1.	SS-BB4L-8298-13R	Rear Mounted 7.5" x 2" x 98"	1/2	95 lbs.	N/A



TJ Series = Trailer Connection Junction Box - Rear Top Mount Application.

Trailer junction boxes are heavy duty and can be mounted on rear of truck frame. Junction boxes can be ordered in different sizes and lengths. Junction box comes with LED's, air couplers and electric trailer connection. All AMERICAN TRUCKBOXES light bars are designed and built to light up your truck and make your truck looking great and safe.

Description

- Stainless steel mirror finish, steel powder coated back mounts
- LED lighting with all quick disconnects and all soldered wiring
- Heavy duty mounting brackets and back plate

No.	Part Number	Box Series	Bolt Size	Weight (lbs.)	Load Rating
1.	SS-TJ4L-81034-AC2M	Rear Mounted 8" x 10" x 34"	Clamps	42 lbs.	N/A



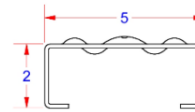
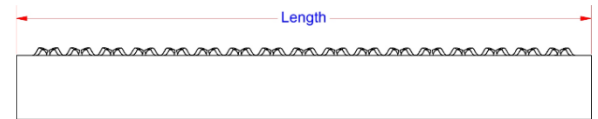
SPS Series = Strut Pressed Grip Steps

Strut Pressed Grip Steps are heavy duty, and can be mounted on top of box or top of deck. Strut steps can be mounted on side with side mounting brackets and can be used many other applications. Steps can be ordered in different sizes and lengths. All AMERICAN TRUCKBOXES steps are designed and built to keep you safe and make your truck looking great.

Description

- Aluminum 10g smooth finish
- Strut pressed with grip
- Heavy duty design

No.	Part Number	Height	Depth	Length	Material Gauge	Weight (lbs.)	Load Rating
1.	A-SPS51-2512-S	2	5	12	10g	1.4	N/A
2.	A-SPS51-2524-S	2	5	24	10g	2.8	N/A
3.	A-SPS51-2530-S	2	5	30	10g	3.5	N/A
4.	A-SPS51-2536-S	2	5	36	10g	4.2	N/A
5.	A-SPS51-2548-S	2	5	48	10g	5.6	N/A
6.	A-SPS51-2560-S	2	5	60	10g	7.0	N/A



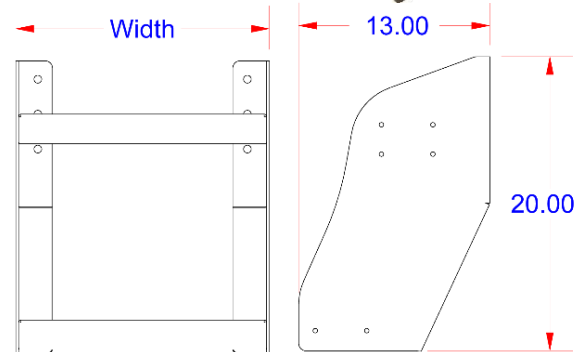
SA Series = Step Assembly Strut Steps Assembly

Step Assembly Strut Pressed Grip Steps are heavy duty, and can be mounted on side of truck frame or a vertical flat surface. Steps Assembly are to be mounted direct to flat surface and can be used with many different applications. Steps can be ordered in different widths and can be custom ordered. All AMERICAN TRUCKBOXES steps are designed and built to keep you safe and make your truck looking great.

Description

- Aluminum 3/16g sides with smooth finish
- 10g strut steps pressed with grip
- Heavy duty design - Mounting kit not included - M3010C

No.	Part Number	Height	Depth	Width	Material Gauge	Weight (lbs.)	Load Rating
1.	A-SA51-201312-S	20	13	12	3/16" x 10g	10.5	400
2.	A-SA51-201314-S	20	13	14	3/16" x 10g	11.0	400
3.	A-SA51-201316-S	20	13	16	3/16" x 10g	11.5	400
4.	A-SA51-201318-S	20	13	18	3/16" x 10g	12.0	400
5.	A-SA51-201320-S	20	13	20	3/16" x 10g	12.5	350
6.	A-SA51-201324-S	20	13	24	3/16" x 10g	13.5	350



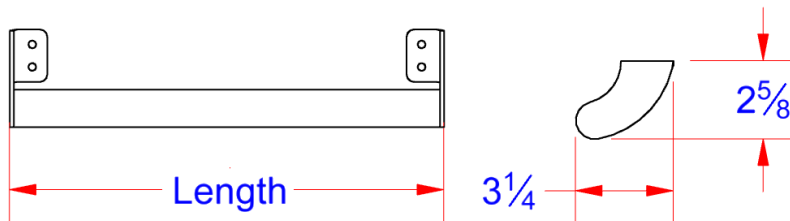
GH Series = Stainless Steel Grab Handles

Diamond texture grip grab or plain handle are heavy duty, and can be mounted on any flat surface. Handles can be ordered in different lengths. All AMERICAN TRUCKBOXES handles are designed and built to keep you safe and make your truck looking great.

Description

- Stainless steel smooth and diamond texture grip or plain finish
- Heavy duty design

No.	Part Number	Height	Depth	Length	Material Gauge	Finish	Weight (lbs.)
1.	SS-GH31-12-DTN	2.5	3.25	12	10g	Texture	1.5
2.	SS-GH31-15-DTN	2.5	3.25	12	10g	Texture	1.7
3.	SS-GH31-24-DTN	2.5	3.25	12	10g	Texture	2.0
4.	SS-GH31-36-DTN	2.5	3.25	12	10g	Texture	2.6
5.	SS-GH31-12-SN	2.5	3.25	12	10g	Smooth	1.6
6.	SS-GH31-15-SN	2.5	3.25	12	10g	Smooth	1.8
7.	SS-GH31-24-SN	2.5	3.25	12	10g	Smooth	2.1
8.	SS-GH31-36-SN	2.5	3.25	12	10g	Smooth	2.8



LED Light

LED Lights – Side and Clearance Markers

Description

LED Lights

No.	Part Number	Color	Description	Shape	Measurement s (in)	Rating
1.	TAL75RR-R	Red	Domed - Side Marker & Clearance	Round-Domed	¾" Round	PC Rated-180 Deg
2.	TAL75AA-R	Amber	Domed - Side Marker & Clearance	Round-Domed	¾" Round	PC Rated-180 Deg
3.	TAL75AC-R	Amber/Clear	Domed - Side Marker & Clearance	Round-Domed	¾" Round	PC Rated-180 Deg
4.	TAL75CC-F	Clear	Side Marker & Clearance	Round-Flat	¾" Round	P2 Rated-45 Deg
5.	TAL75AC-F	Amber/Clear	Side Marker & Clearance	Round-Flat	¾" Round	P2 Rated-45 Deg
6.	TAL20RR-F	Red	Side Marker & Clearance	Round-Flat	2" Round	N/A
7.	TAL20AA-F	Amber	Side Marker & Clearance	Round-Flat	2" Round	N/A
8.	TAL25RR-F	Red	Side Marker & Clearance	Round-Flat	2-1/2" Round	N/A
9.	TAL25AA-F	Amber	Side Marker & Clearance	Round-Flat	2-1/2" Round	N/A
10.	TAL40RR-F	Red	Rear Marker - Stop/Tail/Turn	Round-Flat	4" Round	N/A
11.	TAL40AA-F	Amber	Rear Marker - Stop/Tail/Turn	Round-Flat	4" Round	N/A
12.	TAL40CC-F	Clear	Rear Marker & Light	Round-Flat	4" Round	N/A
13.	TAL62RR-F	Red	Rear Marker - Stop/Tail/Turn	Oval-Flat	6"x 2" Oval	N/A
14.	TAL62CC-F	Clear	Rear Marker, Light & Backup	Oval-Flat	6"x 2" Oval	N/A



TAL75AA-R



TAL25RR-R



TAL40AA-R

TAL62RR-FR



TAG40-B

TAG62-B



Grommets & Pigtails						
15.	TAG20-B	Black	Rubber Grommet	Round	2" Round	N/A
16.	TAG25-B	Black	Rubber Grommet	Round	2.5" Round	N/A
17.	TAG40-B	Black	Rubber Grommet	Round	4" Round	N/A
18.	TAG62-B	Black	Rubber Grommet	Round	6"x 2" Oval	N/A
19.	TAP15-2	Black	Pigtail 2-Prong - 6" Pigtail	N/A	6"	N/A
20.	TAP15-3	Black	Pigtail 3-Prong 90 Deg.- 12" Pigtail	N/A	12"	N/A

LED Work Clear Flood Lights

No.	Part Number	Color	Description	Shape	Measurement s H x D x W (in)	Rating/Lumens
21.	TALW-CF-2	Clear	Steel Head Work Flood Lamps	Rect. - Flat	3 x 2 x 6.2	IP68/750
22.	TALW-CF-4	Clear	Steel Head Work Flood Lamps	Rect. - Flat	4 x 2 x 3	IP68/1100
23.	TALW-CF-6	Clear	Steel Head Work Flood Lamps	Rect. - Flat	3.1 x 2 x 6.2	IP68/1900

LED Work Clear Area Lights

No.	Part Number	Color	Description	Shape	Measurement s H x D x W (in)	Rating/Lumens
24.						
25.	TALA-CL-1	Clear-Cool	Poly Area Work Lamps - 180°	Rect.- Round	1 x 2.75 x 4.5	N/A/800
26.	TALA-CL-2	Clear-Cool	Steel Area Work Lamps - 180°	Rect.- Round	1.4 x 2.75 x 13	IP68/750
27.	TALA-CL-4	Clear-Cool	Steel Area Work Lamps - 180°	Rect.- Round	1.4 x 2.75 x 20	IP68/1500
28.	TALA-CL-6	Clear-Cool	Steel Area Work Lamps - 180°	Rect.- Round	1.4 x 2.75 x 35	IP68/3000



TALA-CL-1

Parts

Tool Box Parts

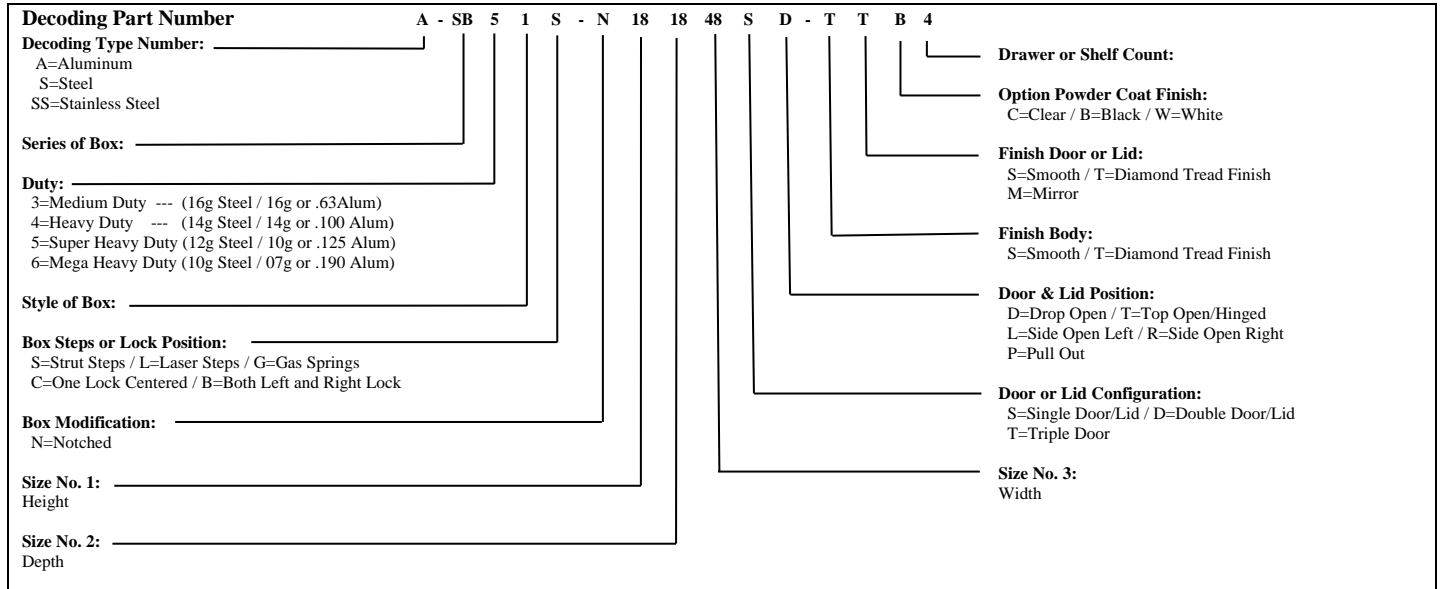
Description

Parts

Part Number	Description	Mounting Holes (in)	Weight
1A050	T-Handle - Fixed	3/16	N/A
1A060	T-Handle (Older Style) - Adjustable	3/16	N/A
1A060-DT	DT-T-Handle (Dolphin Tail) - Adjustable	3/16	N/A
1A010-50-SS	Handle – Surface Stainless Steel	1/4	N/A
1A291	Handle – Surface Mount Chest Handle	1/4	N/A
1A086-861-SS	Tie Down Stainless Steel	1/4	N/A
1A831	Weather Seal Push-On	¾	N/A
1A120	Weather Seal Glue-On	5/8	N/A



Part Number Guide:



Special Notice: This manual contains drawings and written material, which are for the sole purpose of mounting and providing guidelines for installing our boxes and/or equipment in various configurations. Keep in mind that these are only intended as guidelines and not to be construed as construction drawings or specifications.

America Truckboxes, LLC shall not be responsible in any way for anything other than the providing of equipment and materials ordered. Guidelines shown in this manual may not meet or be in accordance with local, state, or federal regulations in effect at time of installation. American Truckboxes, LLC has the right to make changes in design at any time without notice.

Office Hours: Monday through Friday - 8:00am to 12:00am and 1:00pm to 5:00pm

American Truckboxes, LLC. 15750 - 6th Street SE, Blanchard, ND 58009

Phone: (888) 996-0376 Email: sales@truckbox.com

For installation guidelines, visit our web page at: www.truckbox.com and download our installation manual.

AMERICAN TRUCKBOXES, LLC. - LIMITED WARRANTY

This LIMITED WARRANTY is made by American Truckboxes, LLC, 15750 - 6th Street SE, Blanchard, North Dakota 58009 to the original retail purchaser of American Truckboxes, LLC products. If you have any questions or need assistance regarding this warranty and the warranty of your product, please call our customer service department at: (888) 996-0376, between the hours 8:00AM to 5:00PM CST. This warranty applies to all product purchased on or after January 1, 2019.

AMERICAN TRUCKBOXES, LLC WARRANTS THAT THIS PRODUCT WILL BE FREE FROM DEFECTS IN MATERIAL AND WORKMANSHIP FOR A PERIOD OF SIXTY (60) MONTHS ON STANDARD BOXES, TWELVE (12) MONTHS ON CUSTOM BOXES (MODIFIED OR SPECIAL DESIGN TO CUSTOMER SPECIFICATIONS) AND TWELVE (12) MONTHS ON AUXILIARY TANKS, FROM DATE OF PURCHASE BY THE ORIGINAL RETAIL PURCHASER ONLY. THIS WARRANTY TERMINATES IF THE ORIGINAL PURCHASER TRANSFERS THE AMERICAN TRUCKBOXES, LLC PRODUCT TO ANY OTHER PERSON.

If purchaser discovers that the product fails to fulfill the warranty before the warranty period, original purchaser must promptly contact American Truckboxes, LLC in writing of the nonconformity, to make arrangement for an inspection of this product. A copy of the original sales receipt must be supplied to the manufacturer at the time a warranty claim is made. If American Truckboxes, LLC determines a defect exists, American Truckboxes, LLC shall, at its option and expense, repair or replace any defective parts. All warranty repairs shall be made by an authorized American Truckboxes, LLC product dealer or American Truckboxes LLC approved service man. Any part or parts of the goods not manufactured by American Truckboxes LLC are not warranted for any purpose.

This warranty shall not apply or expressly exclude, if the American Truckboxes, LLC product has been subject to an accident, normal wear and tear, cosmetic rust, scratches, unlawful vehicle operation, act of God, improper maintenance, misuse or alteration made by anyone other than American Truckboxes, LLC or a product dealer of American Truckboxes, LLC approved service personal or company. Defects resulting from conditions beyond the manufacturer control, but not limited to, overloading, misuse or failure to assemble or mount the product according to the manufacturer's installation guide line, written instructions or damage to the contents of the box or vehicle.

Purchaser must deliver written notice of any claimed defect or failure covered by this Limited Warranty within thirty (30) days after discovery. Such notice must specify the date of purchase as well as the nature of the defect or failure.

THE WARRANTY PRINTED ABOVE IS THE ONLY WARRANTY TO THIS PURCHASE. ALL OTHER WARRANTIES, EXPRESS OR IMPLIED, INCLUDING BUT NOT LIMITED TO THE IMPLIED WARRANTIES OF MERCHANTABILITY AND FITNESS FOR A PARTICULAR PURPOSE ARE HEREBY DISCLAIMED.

American Made Products

Advantages & Benefits

Why Choose American Truckboxes?

American Truckboxes is a USA Manufacturer that specialize in manufacturing heavy duty truck storage equipment or tool boxes for the truck and trailer industry for over 25 Years.

We use only the highest quality material, parts and heavy gauge steel or aluminum. **All our steel boxes are primed and top coated with zinc epoxy primer and a super durable baked topcoat powder coat finish.**

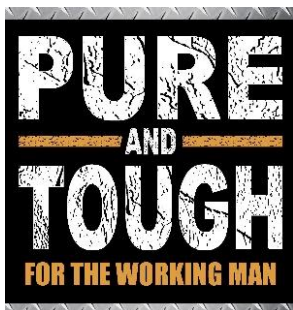
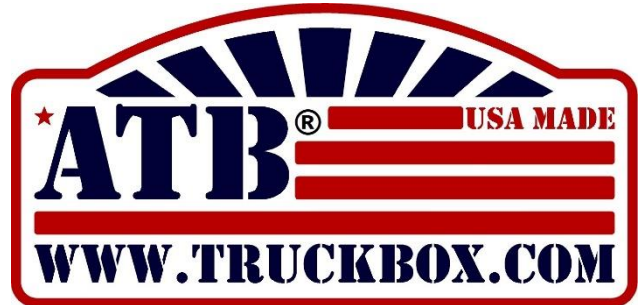
Our primary focus is using heavy-duty stainless-steel hinges, lid supports, heavy duty dual gas springs, easy workable dividers, shelves, trays, automotive weather stripping, superior anti-theft designs and lock systems designed to withstand severe weather conditions and much, much more.

Is an American Truckboxes Box Right For Me?

American Truckboxes boxes are available in many sizes, appropriate for any size truck or vehicle. They may be installed on either new or pre-owned trucks. We know your truck, tools and equipment is everything to you, so we design our products based on what we hear back from you. Your knowledgeable American Truckboxes dealer or representative can help select, the best box that is best for you.

Do I get a warranty with this product?

All products come with a limited warranty for defects in material and workmanship (see www.truckbox.com for full warranty detail). American Truckboxes, LLC. is dedicated to continuous product research, development and reserves the right to change design and specifications without notice.



WWW.TRUCKBOX.COM