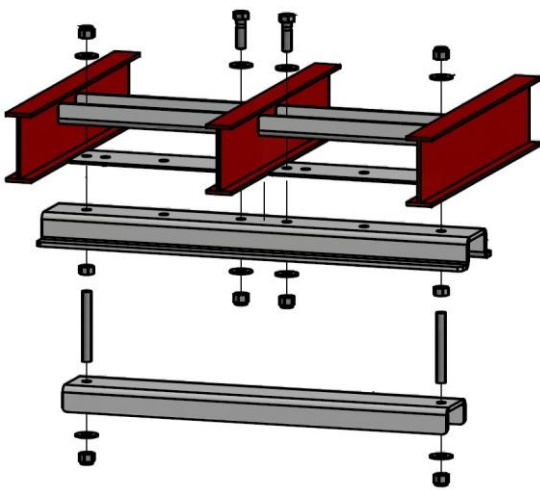
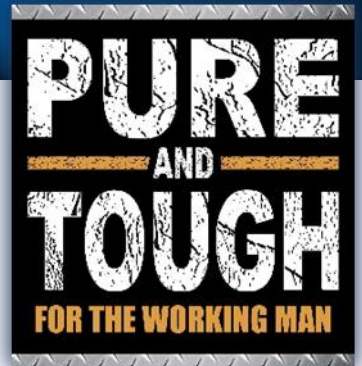


American Truckboxes

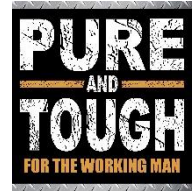
Installation Catalog



Secure and Trusted

Quality Built Storage Equipment

Welcome to American Truckboxes, LLC®, Manufacturers of Heavy-Duty Boxes for the Trucker, Contractor, Service-Man & Sportsman Industries.



Index Pages

No.	Contents	Page	No.	Contents	Page
1.	Step Boxes	3-4	15.	Fuel Tanks Installation	20
2.	Battery Boxes	4	16.	Fuel Connection Kits Installation	21
3.	In-Frame Boxes	5	17.	Cross & Saddle Boxes	22
4.	Deck Plates	6	18.	Side Boxes	23
5.	Rack Boxes	7	19.	Rail Boxes	24
6.	Underbody & Utility Boxes	8-9	20.	4-Wheeler Boxes	25
7.	Cargo and Panel Boxes	10	21.	Chest Dog Boxes	26
8.	Under Deck Underbody Mount	11-12	22.	Pickup Cab Sheld Dividers	27
9.	Drawer Utility Boxes	13	23.	Service Packs	28
10.	Top Side Utility Boxes	14	24.	L-Shape Mounting Brackets	29-33
11.	Cross-Packs	15-16	25.	Top Mount Brackets	34
12.	Chest Boxes	17	26.	LB Light Bar	35
13.	A-Frame Boxes	18	27.	BB Light Bumper	36
14.	Flatbed Underbody Mount	19	28.	Warranty & Special Notice	37

Caution and Please Read Carefully

Attention: Read and understand all instruction and warnings before installing and operating or using ATB product. Mounting box properly is always especially important. If done correctly, it will add longer life to your box. Always try to fasten box or brackets as parallel as possible, mount box as high from the ground as possible.

Danger: Do not use ATB products for transporting or storing flammables, explosives, hazardous material, or hazardous waste, such as containers of propane, gasoline, solvents, gun powder and acetylene. ATB products are designed and safe for use in storing and transporting tools, equipment, and similar material. Any modification made to ATB products, or unintended use of ATB products, can or could create a hazardous condition that can cause death, serious personal injury, or property damage.

Warning: Before mounting ATB products, use extra precautions on placement. ATB products can reduce driver's ability to clearly see roadways, vehicular and pedestrian traffic, and other objects through the rear and side windows and mirrors of the vehicle. Make all adjustments necessary to ensure maximum visibility. State and local laws may prohibit obstruction of windows in a moving vehicle.

Note: Before drilling, make sure all electrical wiring and components, fuel tank and associated components are not in the drilling pattern.

Warning and Precautions!

- A. Never Drill Top or Bottom Flange of Truck Frame or Trailer Frame.
- B. Never Weld Mounting Brackets to Truck Frame or Trailer Frame.
- C. Never Mount Through the Top of any Box.

Maintaining & Caring For Your Box.

- | | |
|--|--|
| 1. Lubricate hinges and all moving lock parts periodically with light household oil. | 3. Check and replace worn-out weather stripping as needed. |
| 2. Check and tighten bolts periodically. | 4. Check and replace worn-out gas springs. |

Notice

- 2. The Manufacturer has the right to make changes in material and design at any time without notice.
- 3. Product design and fit are based on vehicle design available at the revision date. Check product design or contact your representative, distributor or American Truckboxes, LLC to verify fitting of product design.

American Truckboxes, LLC
 15750 6th Street SE
 Blanchard, ND 58009
 Web Page: www.truckbox.com
 Email: sales@truckbox.com

SB Step Box Series.

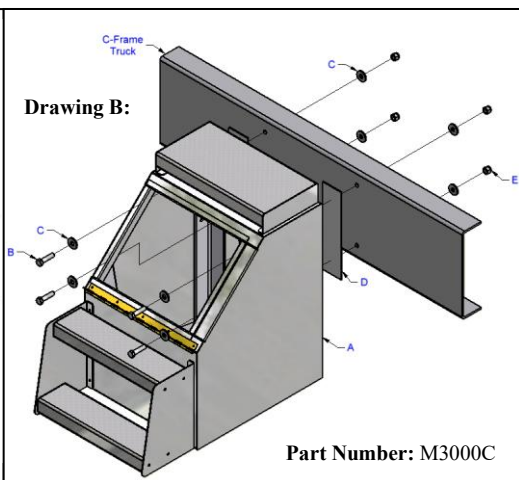
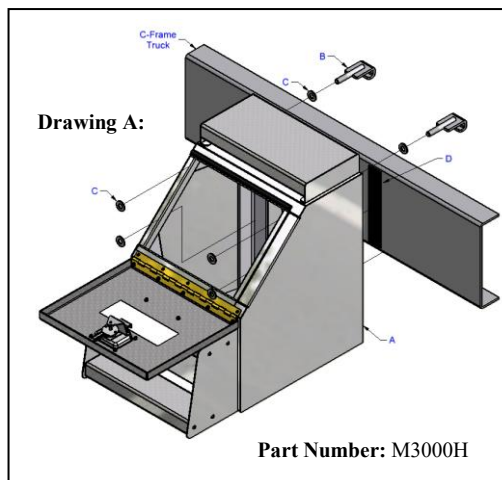
Installation Time and Tools Required

The approximate installation time is one (1.5) Hours; this is depending on installation experience.

1. 3/4" Ratchet Wrench.
2. 3/4" Wrench
3. Tape Measure

4. Drill & 9/16" or 11/16" Bit
5. Utility Knife
6. Blocks

Step Box Installation Mounting Instructions:



Note: This Step Box is designed with internal mounting brackets; no external brackets are required providing the cargo weight will not exceed 150 lbs.

Use M2000 or M2100 L-Shape Mounting Brackets for Cargo Weight over 150lbs.

M3000H Installation Assembly Parts List

No.	Item No.	Part No.	Description	Qty.
1	A	SB Box	Step Box	N/A
2	B	MC1258	Hook 1/2" x 5/8" Stud" (Grade 8)	4
3	C	WF858V16	Washer Flat 5/8"	4
4	D	R1803	Rubber 3" x 12"	2
5	E	NL858V	Nut Lock 5/8"	4

M3000C Installation Assembly Parts List

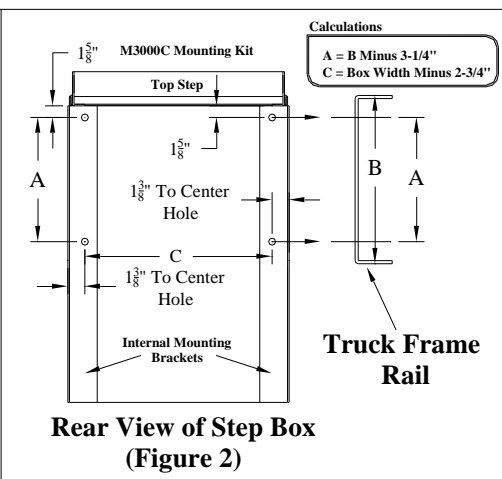
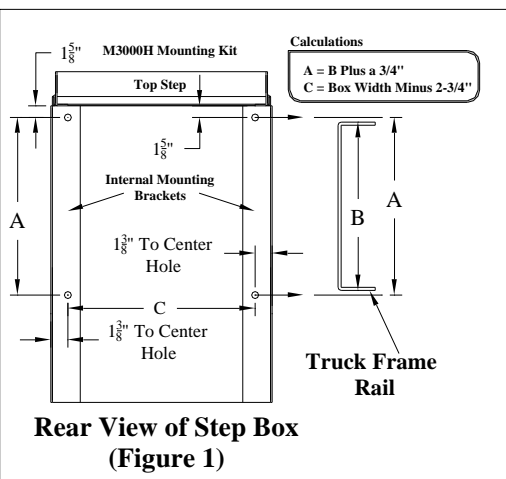
No.	Item No.	Part No.	Description	Qty.
1	A	SB Box	Step Box	N/A
2	B	BH858R17	Bolt 1/2" x 2" (Grade 8)	4
3	C	WF858R15	Washer Flat 1/2"	4
4	D	R1803	Rubber 3" x 12"	2
5	E	NL858R	Nut Lock 1/2"	4

Installation Steps

Step 1: Check all parts by using the installation assembly parts list in this manual, and make sure all parts are with package. Look over the area where the box should be mounted to make sure that there is enough room to mount box.

Step 2: Remove all components from package and carefully move Box to the frame where to be mounted to assure Box is mountable at that area. Holes are not predrilled in Box due to variety of different hole patterns.

Step 3: Remove Box from mounting position. Drill four holes in back of Box as shown in drawings below (11/16" diameter for Figure 1 and 9/16" diameter for Figure 2).



Note. If spacing is required due to bolts or brackets on truck frame place an aluminum spacer between box and truck frame and longer bolts will need to be used.

Warning and Precautions!

Never Drill Top or Bottom Flange of Truck Frame or Trailer Frame.

Never Weld Mounting Brackets to Truck Frame or Trailer Frame.

Never Mount Through the Top of any Box

Step 4: Relocate Box back to mounting position. **For M3000H Kit, go to step No. 6.**

Step 5: Mark the predrilled holes, patterned on the Box you just drilled to the frame where holes need to be drilled. Remove Box and drill four 9/16" diameter holes at each mark on the frame (**refer to truck O.E.M. shop manual for recommended frame drilling instructions**).

Step 6: Apply the 3" strip of rubber material (d) to Box (as shown in Drawing A or B). Cut drilled holes in the rubber you just applied, with a utility knife and relocate Box to the frame. Insert Hooks or Bolts with washers, through the holes (as shown on Drawing A or B). Place one flat washer under a lock nut and tighten all nuts securely to complete installation.

M3050C C-Frame Mounting Brackets for SF Step Boxes - BB Battery Box Series.

Installation Time and Tools Required

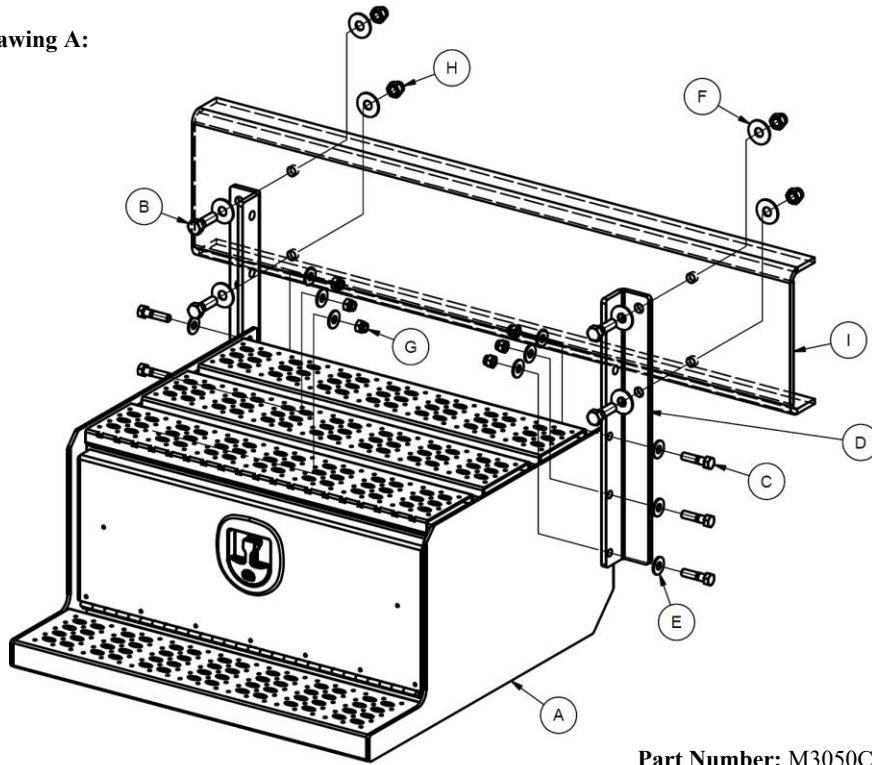
The approximate installation time is one & a half (1.5) Hour; this is depending on installation experience.

- 1. 3/4" Ratchet/Wrench.
- 3. Drill - 1/2" & 5/8" Bit

- 2. 1-1/8" Ratchet/Wrench
- 4. Tape Measure & Square

Step Box & Battery Box Installation Mounting Instructions.

Drawing A:



Part Number: M3050C

Additional Warnings and Precautions!

- 1. Never Drill Top or Bottom Flange of Truck Frame or Trailer Frame.
- 2. Never Weld Mounting Brackets to Truck Frame or Trailer Frame.
- 3. Never Mount Through the Top or Back of Toolboxes.

Installation Assembly Parts List

No.	Item No.	Part No.	Description	Qty.
1	A	SF & BB	Step or Battery Box	N/A
2	B	BH858V17	Bolt 5/8" x 2"	4
3	C	BH858R17	Bolt 1/2" x 2"	6
4	D	M3050	Mounting C-Frame L-Brackets Left/Right	2
5	E	NL858R	Nylon Lock Nut 1/2"	6
6	F	NL858V	Nylon Lock Nut 5/8"	4
7	G	WF858R15	Washer 1/2"	12
8	H	WF858V16	Washer 5/8"	8

Installation Steps

<p>Step 1: Check all parts by using the installation assembly parts list in this manual, and make sure all parts are with package. Look over the area where the box should be mounted to make sure that there is enough room to mount box.</p>	<p>Step 2: Remove all components from package and carefully move Box to the frame where to be mounted to assure Box is mountable at that area. <i>Holes are predrilled on Box and Brackets for easy and fast mounting.</i></p>
<p>Note: If L-brackets are already installed in truck frame, move to step five.</p>	
<p>Step 3: Bolt on both L-brackets to box as shown on drawing A with bolts, washers and nuts and tighten lightly.</p>	<p>Step 4 Move box up to frame, block under box where box is mounting at the correct height, location and square box.</p>
<p>Step 5: Mark the four holes and relocated Box from mounting position. Check if holes are vertical and horizontal square. Drill all four holes with 5/8" bit in Truck Frame (refer to truck O.E.M. shop manual for recommended drilling instructions).</p>	
<p>Step 6: Clean frame and relocate Box to the frame or mounting position. Insert all four bolts from Box side through L-brackets and then through Frame.</p>	<p>Step 7: Place a lock nut on all four bolts. Tighten all nuts tightly and secure to complete installation.</p>

IB In-Frame Box Series.

Installation Time and Tools Required

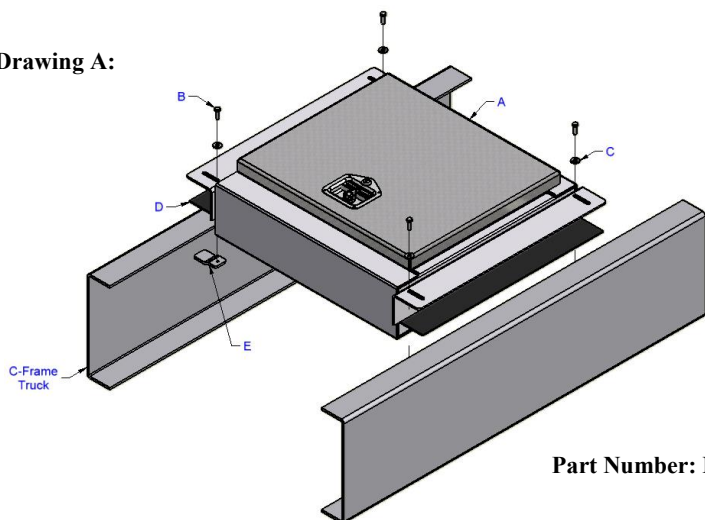
The approximate installation time is half (1/2) Hour; this is depending on installation experience.

1. 1/2" Ratchet Wrench.

2. Utility Knife

In-Frame Box Installation Mounting Instructions.

Drawing A:



Part Number: M3100F

Additional Warnings and Precautions!

1. Never Drill Top or Bottom Flange of Truck Frame or Trailer Frame.
2. Never Weld Mounting Brackets to Truck Frame or Trailer Frame.
3. Never Mount Through the Top or Back of Toolboxes.

Installation Assembly Parts List

No.	Item No.	Part No.	Description	Qty.
1	A	IB Box	In-Frame Box	N/A
2	B	BR577L13	Bolt Flange, Serrated 5/16" x 1"	4
3	C	WF858L13	Washer Flat 5/16"	4
4	D	R1802	Closed Cell Foam 2" x 36" (36" is standard, may need to be cut to Box Depth)	2
5	E	MC1530	Mounting Clamp	4
6	F	NL858L	Nylon Lock Nut 5/16"	4

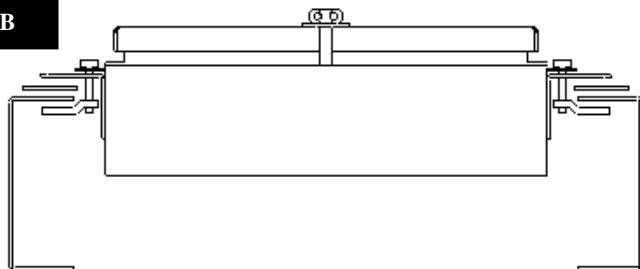
Installation Steps

Step 1: Check all parts by using the installation assembly parts list in this manual, and make sure all parts are with package. Look over the area where the box should be mounted to make sure that there is enough room to mount box.

Step 2: Remove all components from package and carefully move Box to the frame where to be mounted to assure Box is mountable at that area. Holes are predrilled on Box for easy and fast mounting.

Step 3: Remove Box from mounting position. Cut rubber to Box Depth and apply the 3" strip of rubber material (to Box as shown in Drawing A. Cut holes in the rubber with utility knife so bolts can be inserted. Insert all four bolts from Box side with washers attached and attach a mounting clamp to each bolt, keep mounting clamp loose so that mounting clamps can freely be turned to dismantled position or to one side. Relocate Box to the frame.

Drawing B



Step 4: Rotate all four mounting clamps (as shown in Drawing B) so that clamps are in mounting position or under frame. Lightly tighten all four mounting clamps and make sure that the Box is perfectly secured, level and tight with frame. Tighten all bolts tightly and secure to complete installation.

DP Deck Plate Series.

Installation Time and Tools Required

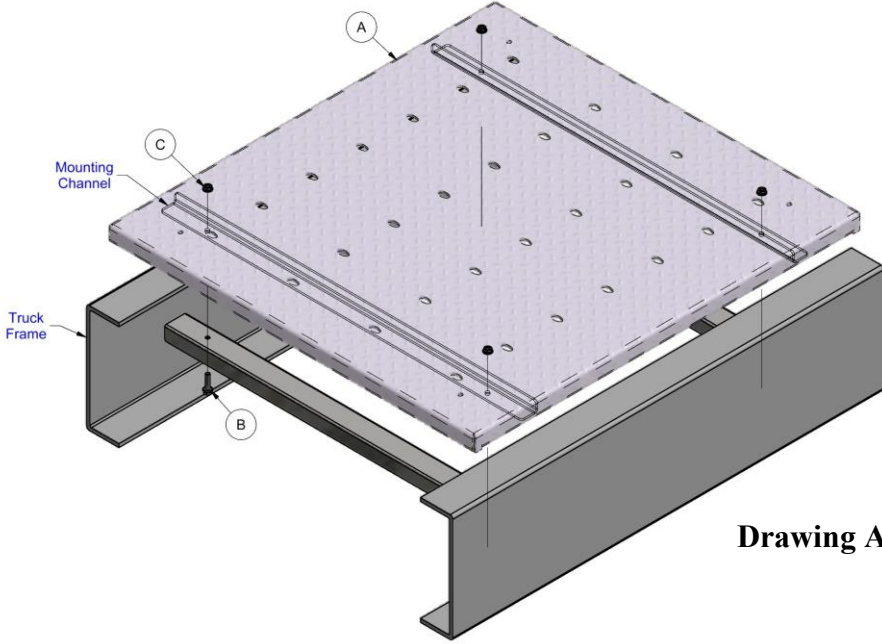
The approximate installation time is half (1/2) Hour; this is depending on installation experience.

1. 1/2" Ratchet Wrench.

Deck Plate Installation Mounting Instructions.

Additional Warnings and Precautions!

1. Never Drill Top or Bottom Flange of Truck Frame or Trailer Frame.
2. Never Weld Mounting Brackets to Truck Frame or Trailer Frame.
3. Never Mount Through the Top or Back of Toolboxes.



Drawing A:

M3120D Installation Assembly Parts List

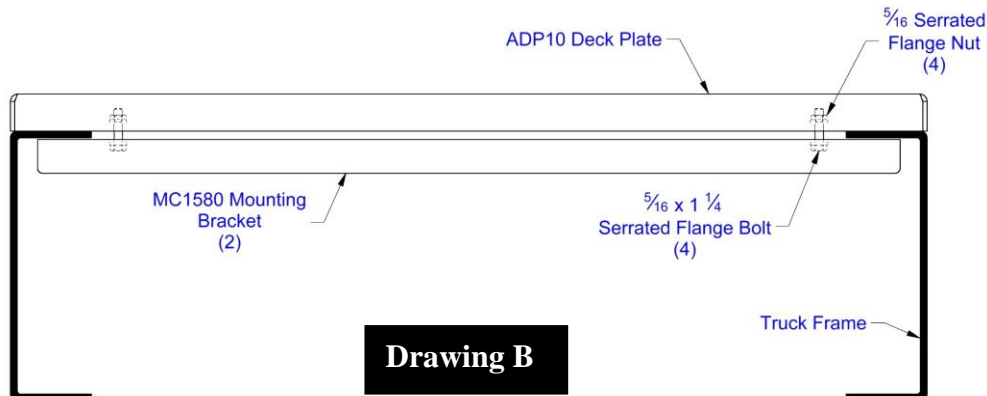
No.	Item No.	Part No.	Description	Qty.
1	A	DP	Deck Plate Platform	N/A
2	B	BH577L13	Bolt 5/16"x 1.0"	4
3	C	MC1580-B	Mounting Clamp	2
4	D	NL577L	Nut 5/16"	4
5.	E	WF267L13	Washer 5/16"	8

Installation Steps

Step 1: Check all parts by using the installation assembly parts list in this manual, and make sure all parts are with package. Look over the area where the Deck Plate should be mounted to make sure that there is enough room to mount Deck Plate.

Step 2: Remove all components from package and carefully move Deck Plate to the frame platform where to be mounted to assure Deck Plate is mountable at that area. Holes are predrilled for easy and fast mounting.

Step 3: Locate both mounting clamp one at a time, as shown on drawings A&B. Insert the 4 bolts and fasten the nuts lightly. Square the Deck Plate and tighten all 4 nuts tightly and secure to complete installation.



Drawing B

RB Rack Box Series.

Installation Time and Tools Required

The approximate installation time is one (1) Hour U-Bolt and two (2) Hours Bolt-On; this is depending on installation experience.

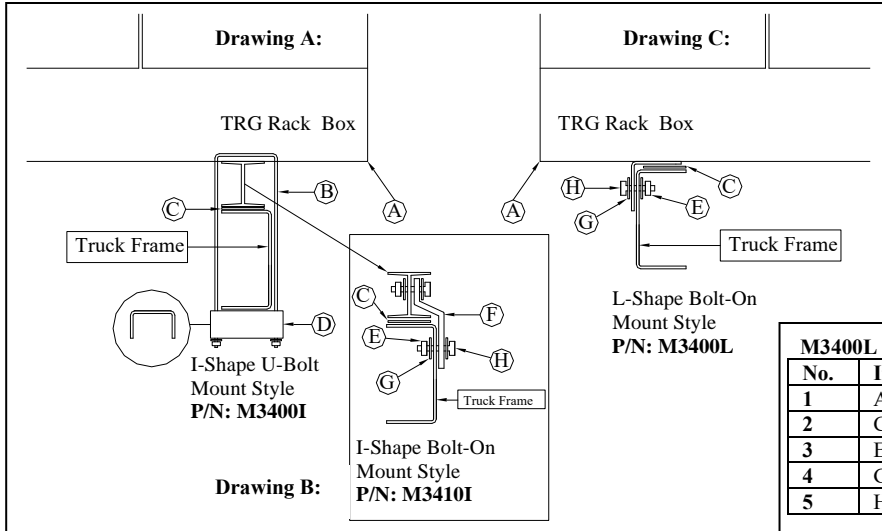
U-Bolt Mount

1. 1" Ratchet Wrench. 2. Tape Measure

Bolt-On Mount

1. 3/4" Ratchet Wrench. 2. 3/4" Wrench
3. Tape Measure
4. Drill & 9/16" Bit

Rack Box Installation Mounting Instructions.



Additional Warnings and Precautions!
 1. Never Drill Top or Bottom Flange of Truck Frame or Trailer Frame.
 2. Never Weld Mounting Brackets to Truck Frame or Trailer Frame.
 3. Never Mount Through the Top or Back of Toolboxes.

M3400L - Installation Assembly L-Shape (Flush) Bolt-On Mount Parts List

No.	Item No.	Part No.	Description	Qty.
1	A	RB	Rack Box	N/A
2	C	R3803	Rubber 3/8" x 30"	2
3	E	NL858R	Locknut 1/2"	8
4	G	WF577R15	Washer Flat 1/2"	16
5	H	BH858R14	Bolt 1/2" x 1-1/4" (Grade 8)	8

M3400I Installation Assembly U-Bolt Parts List

No.	Item No.	Part No.	Description	Qty.
1	A	RB	Rack Box	N/A
2	B	1A872-750	U-Clamp with Washer & Locknut	4
3	C	R3803	Rubber 3/8" x 30"	2
4	D	1A872A-750	U-Clamp Bracket	4
5	E			
6	F			

M3410I Installation Assembly Bolt-On Parts List

No.	Item No.	Part No.	Description	Qty.
1	A	RB	Rack Box	N/A
2	C	R3803	Rubber 3/8" x 30"	2
3	E	NL858R	Lock Nut 1/2"	16
4	F	MC0655	Mounting Clamp	4
5	G	WF577R15	Washer Flat 1/2"	32
6	H	BH858R14	Bolt 1/2" x 1-1/4" (Grade 8)	16

Installation Steps

Step 1: Check all parts by using the installation assembly parts list (Kit No. M3400I, M3410I or M3400L) in this manual, and make sure all parts are with package. Look over the area where the box should be mounted to make sure that there is enough room to mount box.

Step 2: Remove all components from package and carefully move Rack Box to the Frame where to be mounted to assure Rack Box is mountable at that area. Install rubber (C) between Rack Box and Truck Frame (as shown in Drawing A B or C). Square Rack Box to frame or cab for a straight and square mount.

Note: For I-Shape U-Bolt Type Mount go to Step 3 - For I-Shape Bolt-On Type Mount go to Step 4 - For L-Shape Bolt-On Type Mount go to Step 5.

Step 3: Install all four U-Bolts from top of I-Shape Beam of Rack Box to bottom of Truck Frame (as shown in Drawing A). Two U-Bolts should be used for each I-Shaped Beam or each side of Rack Box, and 3 inches in from both ends of each beam. Install the U-Clamp Bracket (D) with washers and Locknuts as shown on Drawing A (ship to Step 8).

Step 4: Install all four Mounting Clamps (F) (as shown in Drawing B) to Rack Box at predrilled holes. Two Brackets should be used for each I-Shaped Beam or each side of Rack Box. Insert two bolts with washers for each bracket (as shown on Drawing B) through the bracket, from bracket side and slide bolts through the mounting bracket and Rack Box mount. Place one flat washer under a lock nut on the back side of the mounting surface and tighten lightly.

Step 5: Mark all holes on Truck Frame where Rack Box will be mounted (If holes are predrilled on Truck Frame, skip to step 7) and remove Rack Box from mounting position. Drill all holes with 9/16" bit in Truck Frame (refer to truck O.E.M. shop manual for recommended drilling instructions).

Step 6: Relocate Rack Box back to mounting position.

Step 7: Insert bolts with washers (as shown on Drawing B or C) through the bracket, from Rack Box Mount side and slide bolts through the mounting surface. Place one flat washer under a lock nut on the back side of the mounting surface.

Step 8: Tighten all nuts securely to complete installation.

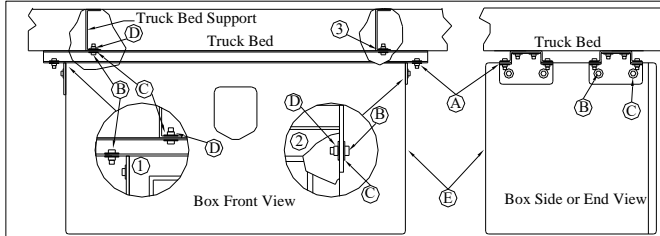
SG, SR & UG Series Boxes.

Installation Time and Tools Required

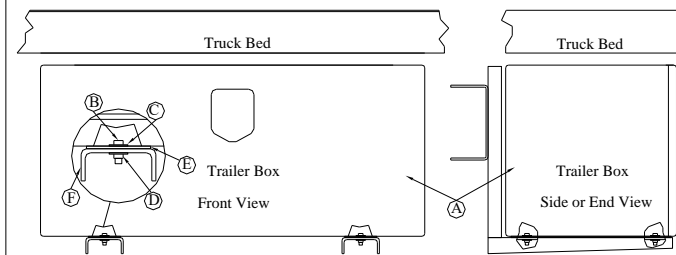
The approximate installation time is one (1) Hour; this is depending on installation experience.

- | | |
|-----------------------|---------------------|
| 1. ½” Ratchet Wrench. | 3. Tape Measure |
| 2. ½” Wrench | 4. Drill & 3/8” Bit |

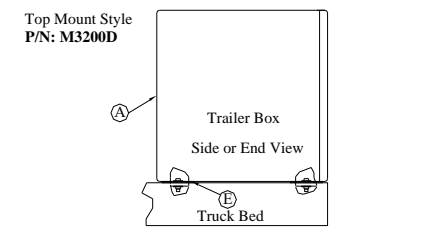
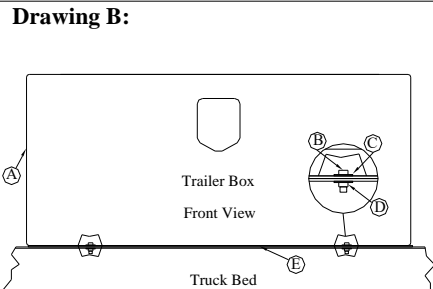
Trailer Box Installation Mounting Instructions.



Drawing A: Mounting Trailer Box using Bed Mount Mounting Kits. Recommended Kits (E): M2200 Series



Drawing C: Mounting Trailer Box using C or I Frame Mount Kits. Recommended Kits (F): M2000 or M2100 Series



Additional Warnings and Precautions!

1. Never Drill Top or Bottom Flange of Truck Frame or Trailer Frame.
2. Never Weld Mounting Brackets to Truck Frame or Trailer Frame.
3. Never Mount Through the Top or Back of Toolboxes.

M22--D Installation Assembly Parts List (Drawing-A)

No.	Item No.	Part No.	Description	Qty.
1	A	Box	Trailer Box	N/A
2	B	BH577L13	Bolt 5/16” x 1”	8
3	C	WF267L13	Washer Flat 5/16”	16
4	D	NL577L	Nut Lock 5/16”	8
5	E	M22--D Series	Top Mounting Bracket	2

M3200D Installation Assembly Parts List (Drawing-B)

No.	Item No.	Part No.	Description	Qty.
1	A	Box	Trailer Box	N/A
2	C	BH577L18F	Bolt 5/16” x 2.25”	4
3	E	WF577L13	Washer Flat 5/16”	8
4	F	NL577L	Nut Lock 5/16”	4
5	G	R1803	Rubber 3” x Length of Box	2

M2000 or M2100 Installation Assembly Parts List (Drawing-C)

No.	Item No.	Part No.	Description	Qty.
1	A	Box	Trailer Box	N/A
2	B	BH577L13	Bolt 5/16” x 1”	4
3	C	WF267L13	Washer Flat 5/16”	8

No.	Item No.	Part No.	Description	Qty.
4	D	NL577L	Nut Lock 5/16”	4
5	E	R1803	Rubber 3” x Length of Box	2
6	F	M2---- Series	L Shape Mounting Bracket	2

Installation Steps

Step 1: Check all parts by using the installation assembly parts list in this manual, and make sure all parts are with package. Look over the area where the box should be mounted to make sure that there is enough room to mount box.

Step 2: Remove all components from package and carefully move Box to flat surface or mounting area where to be mounted to assure Box is mountable at that area. Holes are not predrilled in Box due to variations in mounting.

Note: Always drill hole as far to the outside edge of Box as possible.

Note 1. For Bed Mount Mounting Application (Drawing A) use a M2200 Series Mounting Bracket, Install Mounting Bracket first and go to step 5. Note 2. For Frame Mount Mounting Application (Drawing C) use a M2000 or M2100 Series Mounting Bracket, Install Mounting Bracket first and go to step 5. Note 3: Installation Instruction for Mounting Brackets (optional) are with Bracket Mounting Kit.

Step 3: Remove Box from mounting position. Mark all four holes outside on bottom of Box where box will be mounted to flat surface and drill all four holes with 3/8” bit.

Step 4: Relocate Box back to mounting position. Mark the predrilled holes, patterned on the Box you just drilled to the mounting surface where holes need to be drilled and ship to step 6.

Step 5: Relocate Box back to mounting position. Mark the predrilled holes, patterned on the mounting brackets.

Step 6: Remove Box and drill four 3/8” diameter holes at each mark you marked on the mounting surface or on Box (refer to truck O.E.M. shop manual for recommended drilling instructions on surface).

Step 7: Insert bolts (B) with washers (C) (as shown on Drawings) through the surface or bracket, from Box side and slide bolts through the mounting surface. Place one flat washer under a lock nut on the back side of the mounting surface or bracket and tighten all nuts securely to complete installation.

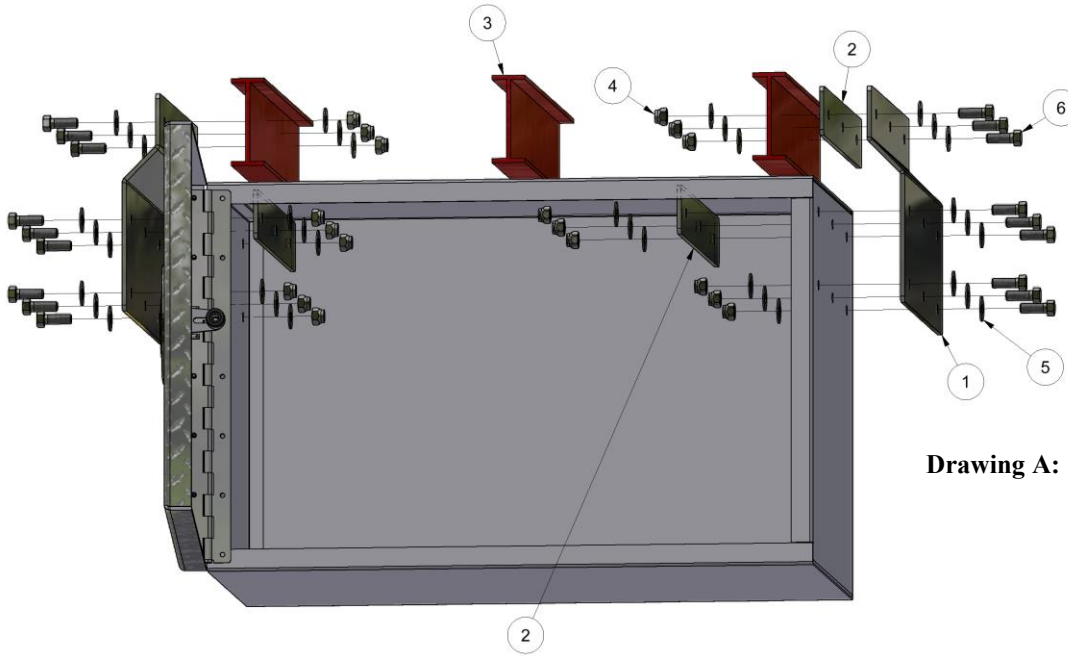
M2450UD Side Under Deck Mounting Brackets.

Installation Time and Tools Required

The approximate installation time is one and a half to four (1.5 to 4.0) Hours; this is depending on installation experience.

- | | |
|-------------------------|----------------------|
| 1. 5/8" Ratchet Wrench. | 4. Drill & 7/16" Bit |
| 2. 5/8" Wrench | 5. Two Clamps |
| 3. Tape Measure | 6. Blocks |

Under Deck/Trailer Adjustable Heavy Duty Aluminum Mounting Kit



Additional Warnings and Precautions!

1. Never Drill Top or Bottom Flange of Truck Frame or Trailer Frame.
2. Never Weld Mounting Brackets to Truck Frame or Trailer Frame.
3. Never Mount Through the Top or Back of Toolboxes.

Drawing A:

M2450UD-(Box Width(24"))6B- Installation Kit Assembly for Underbody (Trailer) Bolt-On Mount Parts List:

Item No.	Part No.	Description	Qty.
1	M2450-AMB-(Width)	Main Hanging Bracket	2
2	M2450-ATB-(Width)	Clamp or Spacer Brackets	4
3	Trailer I-Beam	Cross Beam on Van Trailer	2
4	NL858P	7/16" Nylon Lock Nut Grade 8	18
5	WF858P14	7/16" Grade 8 Flat Washer	36
6	BH858P15	7/16" x 1-1/2" Bolt Grade 8	18

Part Number	Material	Number of Brackets	Weight Per Set	Load Rating
M2600UD	Aluminum 3/16" Thick	2	10 to 15 Lbs.	*300 lbs. Spread Max

Installation Steps

<p>Step 1: Check all parts by using the installation assembly parts list in this manual, and make sure all parts are with package. Look over the area where the box should be mounted to make sure that there is enough room to mount box.</p>	<p>Step 2: Remove all components from package and carefully move underbody box to the underbody mounted position where the underbody box is to be mounted to check if box is mountable at that area.</p>
<p>Note: Drawing A shows one set of Bracket Assembly. Standard Bracket Kit comes with Side Bracket, Clamps or Shims and Fasteners</p>	
<p>Step 3: Place blocks under box to hold in place at mounting position and square box to mounting position. Notice: Brackets need to be moved back behind hinge to clear door to open box.</p>	<p>Step 4: Locate mounting bracket one (1) (as shown on drawing A) to mounting position, square and clamp with long nose vise grip. Shift box left or right to lineup brackets with I-Beams. Note: Bracket two (2) can be used as a shim or clamp.</p>
<p>Step 5: Mark all holes from outside on box and I-Beams through bracket holes where brackets will be bolted or mounted to!</p>	<p>Step 6: Remove box from mounting position and check lineament of all holes marked by measuring and using straight or angle square. Double check alignment with bracket if all holes are centered and straight.</p>
<p>Step 7: If all holes are square and inline (correct marked), drill all marked holes with a 7/16" bit and relocate box back to mounting position.</p>	<p>Step 8: Install bolts(6) with washer(5) through brackets and box and through brackets and I-Beam as shown on drawing A. Install washer(5) and locknut(4) inside of box and inside of I-beam. If all fasteners are hand tight, tighten all fasteners securely with tools.</p>

M2600UD Under Deck/Trailer Mounting Brackets.

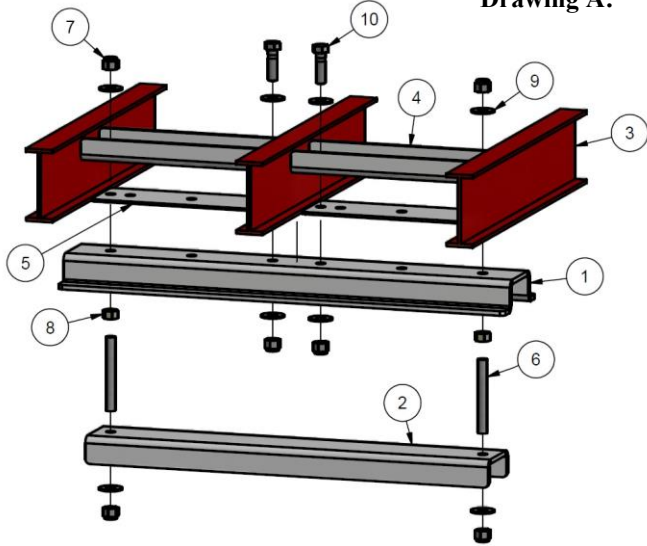
Installation Time and Tools Required

The approximate installation time is one and a half to Four (1.5 to 4.0) Hours; this is depending on installation experience.

- | | |
|-------------------------|---------------------|
| 1. 3/4" Ratchet Wrench. | 4. Drill & 1/2" Bit |
| 2. 3/4" Wrench | 5. Two Clamps |
| 3. Tape Measure | 6. Blocks |

Under Deck/Trailer Adjustable Heavy Duty Aluminum Mounting Kit

Drawing A:



Additional Warnings and Precautions!

1. Never Drill Top or Bottom Flange of Truck Frame or Trailer Frame.
2. Never Weld Mounting Brackets to Truck Frame or Trailer Frame.
3. Never Mount Through the Top or Back of Toolboxes.

Note: For none adjustable brackets use M2650UD

M2600UD-(Box Width(24"))-3 - Installation Kit Assembly for Underbody (Van Trailer) Bolt-On Mount Parts List:

Item No.	Part No.	Description	Qty.
1	M2610-ATB-(Width)	Top Box Bracket	3
2	M2610-ABB-(Width)	Bottom Box Bracket	3
3	Trailer I-Beam	Cross Beam On Van Trailer	3
4	M2610-IB-12	Top I-Beam Clamp Bracket	6
5	M2610-CB-12	Top Center I-Beam Spacer Bracket	6
6	RODT-SS304T6-500	1/2" Rod Bolt (Box Height + 4.5" Length)	6
7	NL858R	1/2" Nylon Lock Nut Grade 8	18
8	NH858R	1/2" Nut Grade 8	6
9	WF857R15	1/2" Grade 8 Flat Washer	30
10	BH858R16	1/2" x 1-3/4" Bolt Grade 8	4

Part Number	Material	Number of Brackets	Weight Per Set	Load Rating
M2600UD	Aluminum 1/4" Thick	3	20 Lbs.	*750 lbs. Max
M2600UD	Aluminum 1/4" Thick	5	30 Lbs.	*1250 lbs. Max

Installation Steps

<p>Step 1: Check all parts by using the installation assembly parts list in this manual, and make sure all parts are with package. Look over the area where the Box should be mounted to make sure that there is enough room to mount Box.</p>	<p>Step 2: Remove all components from package and carefully move Cargo Box to the underbody mounted position where the Cargo Box is to be mounted to check if Box is mountable at that area.</p>
<p>Note: Drawing A shows one set of Bracket Assembly. Standard Bracket Kit comes with three Bracket Assemblies like shown in Drawing A and can be order with five.</p>	
<p>Step 3: Relocate Box to the side and install Washer (item 9) and Locknut (item 7) on Rod (item 6) and tighten till thread shows 1/4" past Nut (item 7). Slide Rod through Top Bracket and install Top Clamp Bracket (item 4) between Trailer I-beams as shown on Drawing A. Repeat for all six brackets first before continuing to next step.</p>	<p>Note: Install three Bracket Sets as shown in Drawing A for weight of 750lbs and 5 for 1250lbs (See note at chart). Outside Brackets should be installed as far to outside of trailer as possible and one in the center.</p>
<p>Step 4: Next locate Top Bracket (item 1) and Top Center Clamp (item 5) and install as shown in Drawing A. Insert Bolt (item 10) in place with washer (item 9) on both ends of Bolt and secure Nylon Lock Nut (Item 7).</p>	<p>Step 5: Locate Nut (item 8) and Secure Nut as shown in Drawing A.</p>
<p>Step 6: Relocate Box in mounted position and place blocks under Box to hold in place.</p>	<p>Step 7: Add Bottom Brackets (item 2) in position as shown in Drawing A. Add Washers (item 9) and Nylon Lock Nut (Item 7) and Secure Nut.</p>

M2700UD Under Deck/Trailer Mounting Brackets.

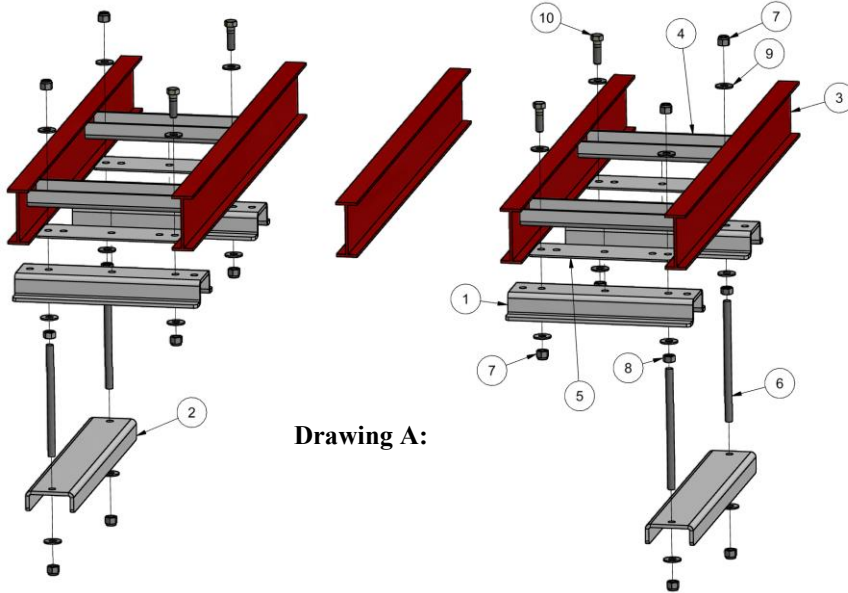
Installation Time and Tools Required

The approximate installation time is one and a half to Four (1.5 to 4.0) Hours; this is depending on installation experience.

1. 3/4" Ratchet Wrench.
2. 3/4" Wrench
3. Tape Measure

4. Drill & 1/2" Bit
5. Two Clamps
6. Blocks

Under Deck/Trailer Adjustable Heavy Duty Aluminum Mounting Kit



Drawing A:

Additional Warnings and Precautions!

1. Never Drill Top or Bottom Flange of Truck Frame or Trailer Frame.
2. Never Weld Mounting Brackets to Truck Frame or Trailer Frame.
3. Never Mount Through the Top or Back of Toolboxes.

Note: If you are drilling through a Steel Powder Coated Box, make sure you repaint drilled holes with paint. Clean with Rubbing Alcohol and use a Q-Tip dipped in paint to repaint hole.

Seal hole with 100% Silicone or NPL.

Note: For none-adjustable brackets use M2750UD

M2700UD- (Box Depth) -2 - Installation Kit Assembly for Underbody (For Van Trailer) Bolt-On Mount Parts List:

Item No.	Part No.	Description	Qty.	
			For 2 Brackets	For 3 Brackets
1	M2710-ATB-(Width)	Top Box Bracket	4	6
2	M2710-ABB-(Depth)	Bottom Box Bracket (Box Depth -2")	2	4
3	Trailer I-Beam	Cross Beam On Van Trailer	N/A-4	N/A-6
4	M2710-IB-12	Top I-Beam Clamp Bracket	4	6
5	M2710-CB-12	Top Center I-Beam Spacer Bracket	4	6
6	RODT-SS304T6-500	1/2" Rod Bolt (Box Height + 4.5" Length)	4	6
7	NL858R	1/2" Nylon Lock Nut Grade 8	12	18
8	NH858R	1/2" Nut Grade 8	4	6
9	WF857R15	1/2" Grade 8 Flat Washer	20	30
10	BH858R16	1/2" x 1-3/4" Bolt Grade 8	4	6

Part Number	Material	Number of Brackets	Weight Per Set	Load Rating
M2700UD-(Depth)-2-S	Aluminum 1/4" Thick	2 (Shown Above)	20 Lbs.	*250 lbs. Max
M2700UD-(Depth)-3-S	Aluminum 1/4" Thick	3 (Not Shown) One added in the Middle -Not Shown	30 Lbs.	*350 lbs. Max

Installation Steps

Step 1: Check all parts by using the installation assembly parts list in this manual, and make sure all parts are with package. Look over the area where the Box should be mounted to make sure that there is enough room to mount Box.

Step 2: Remove all components from package and carefully move Cargo Box to the underbody mounted position where the Cargo Box is to be mounted to check if Box is mountable at that area. Mark holes where Rods will go through box, mainly on the front top and bottom of box. Drill holes with 1/2" drill.

Note: Drawing A shows one set of Bracket Assembly. Standard Bracket Kit comes with two Bracket Assemblies like shown in Drawing A and can be order with more for Double Door Wider Boxes.

Step 3: Relocate Box to the side and install Washer (item 9) and Locknut (item 7) on Rod (item 6) and tighten till thread shows 1/4" past Nut (item 7). Slide Rod through Top Bracket and install Top Clamp Bracket (item 4) between Trailer I-beams as shown on Drawing A. Repeat for all six brackets first before continuing to next step.

Step 4: Relocate Box in mounted position and install rods through box drilled holes and place blocks under Box to hold in place.

Note: Install Two Bracket Sets as shown in Drawing A for weight of 250lbs and 3 for 350lbs (See note at chart). Brackets should be installed as far to outside of trailer as possible and one in the center for double drop open door boxes.

Step 5: Next locate Top Bracket (item 1) and Top Center Clamp (item 5) and install as shown in Drawing A. Insert Bolt (item 10) in place with washer (item 9) on both ends of Bolt and secure Nylon Lock Nut (Item 7).

Step 6: Locate Nut (item 8) and Secure Nut as shown in Drawing A. Add Bottom Brackets (item 2) in position as shown in Drawing A and Add Washers (item 9) and Nylon Lock Nut (Item 7) and Secure Nut.

M6000I I-Beam Under Trailer Mounting Kit

Installation Sheet

Applications: Under Trailer I-Beam Both-Side Mount

Installation Steps

Check all parts by using the installation assembly parts list in this manual, and make sure all parts are with package. Look over the area where the Box should be mounted to make sure that there is enough room to mount Box.

Step 1: Attach two main mount hook plate weldments (B), back-to-back to the trailer's I-Beam with two 1/2" bolts (E) (center bolts for now only), four flat washers (G) and two lock nuts (I). (See Drawing 1).

Step 2: Repeat Step 1 till all six (pair) main mount hook plates are mounted and hanging loosely from I-Beam and are still slidable. Refer to Drawing 1 to where hook mounts should be mounted. For 72" width box outside brackets should be approximately 70" Apart.

Step 3: Assemble main cross beams (C), to main mounting hook plates (B), using four 1/2" Bolts (F), eight flat washers (G) and four lock nuts (I).

Step 4: Assemble the four bracket-cross beams (D) to the main cross beams (C), with four 1/2" Bolts (H), eight flat washers (G) and four lock nuts (I) each.

Step 5: Slide Mounting kit to desirable position and tighten all bolts so far installed to 65-70 ft-lbs.

Step 6: Square mounting kit both vertical and horizontal.

Step 7: Using the top predrilled holes on main mounting hook plate (B) as

a guide, and drill through I-Beam of trailer with a 1/2" drill bit. Repeat six holes on all brackets. Paint inside hole where drilled, with Q-tip and paint.

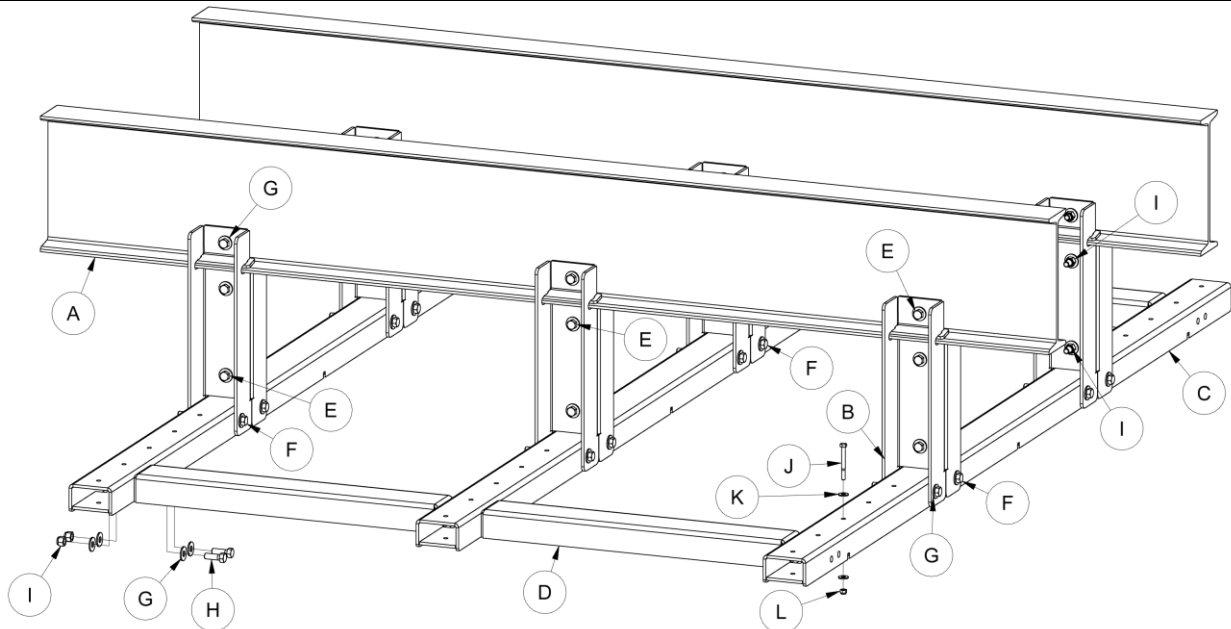
Step 8: Install one 1/2" bolts (E) two flat washers (G) and one lock nuts (I) per bracket. Repeat for all remaining brackets and Tighten to 65-70 ft-lbs.

Step 9: Lower toolbox over the installed mounting kit resting it on the mount bracket (C). Verify that the toolbox is parallel with the truck frame, bracket, and square with front of brackets (C). **Offset bracket back of toolbox for drop open boxes by 2"**.

Step 10: Using the predrilled holes on main cross beam (C) as a guide, drill from bottom up through box bottom using a 5/16" drill bit. Repeat this step with three holes per bracket. Paint inside hole where drilled, with Q-tip and paint to seal where drilled to prevent rusting.

Step 11: Assemble toolbox to Main Cross Beam (C) by using nine 5/16" bolts (J), eighteen washers (K) and nine lock nuts (L). Tighten all bolts to 10-11 ft-lbs.

12. Periodically check the tightness of the fasteners.



No.	Item No.	Part No.	Description	Qty.
M6000I-*3 Kit				
1.	A	Frame	Truck Frame	2
2.	B	M6000I-002	Main Mounting Hook Plate	12
3.	C	M6000I-003	Main Cross Beam	3
4.	D	M6000I-005	Bracket - Cross Beam	4
5.	E	BH858R17	Bolts G8 - 1/2"-13 x 2.0"	18
6.	F	BH858R33	Bolts G8 - 1/2"-13 x 6.0"	12
7.	G	WF858R15	Washer Flat G8 - 1/2"	92
8.	H	BH858R15	Bolts G8 - 1/2"-13 x 1.50"	16
9.	I	NL858R	Nut Lock G8 - 1/2"	46
10.	J	BH858L21	Bolts G8 - 5/16"-18 x 3.00"	18
11.	K	WF858L13	Washer Flat G8 - 5/16"	36
12.	L	NL858L	Nut Lock G8 - 5/16"	18
13.	M	R1803	Closed Cell Neoprene Foam	12*

Notes.

1. Use touch-up paint on any drilled holes to prevent oxidation or rust.

2. Mounting clamp bolts may be difficult to turn or tighten due to locknut feature. Apply a small amount of oil to bolt before installing for ease assembly

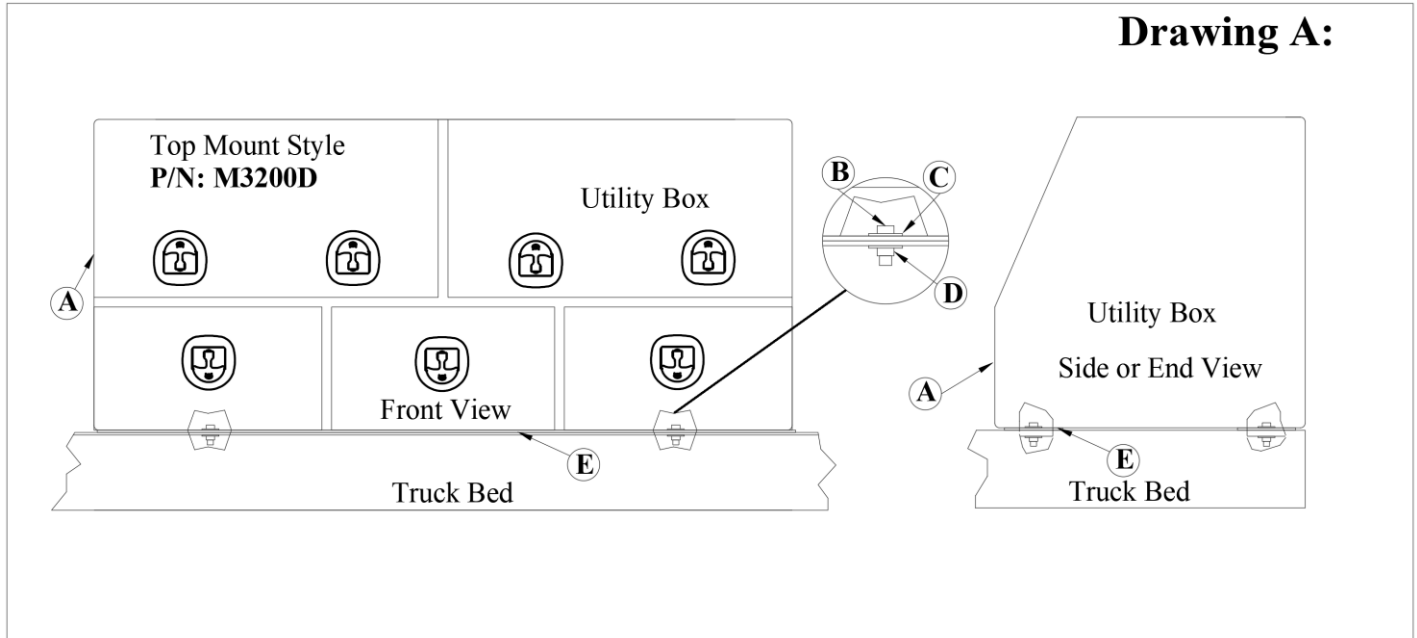
DU Utility Drawer Box Series.

Installation Time and Tools Required

The approximate installation time is one (1) Hour; this is depending on installation experience.

1. 1/2" Ratchet Wrench.
2. 1/2" Wrench
3. Tape Measure
4. Drill & 3/8" Bit

Drawer Utility Box Installation Mounting Instructions.



M3200D-DU - Installation Assembly Parts List (Drawing B)

No.	Item No.	Part No.	Description	Qty.
1	A	DU4	Drawer Utility Box	N/A
2	B	BH577L18F	Bolt 5/16" x 2.25"	4
3	C	WF267L13	Washer Flat 5/16"	8
4	D	NL577L	Nut Lock 5/16"	4
5	E	R1803	Rubber 3/8" x 3" x Length of Box	2

Installation Steps

Step 1: Check all parts by using the installation assembly parts list in this manual, and make sure all parts are with package. Look over the area where the box should be mounted to make sure that there is enough room to mount box.

Step 2: Remove all components from package and carefully move Box to flat surface or mounting area where to be mounted to assure Box is mountable at that area. Holes are not predrilled in Box due to variations in mounting.

Note: Always drill hole as far to the outside edge of Box as possible.

Step 3: Remove Box from mounting position. Mark all four holes outside on bottom of Box where box will be mounted to flat surface and drill all four holes with 3/8" bit.

Step 4: Relocate Box back to mounting position. Mark the predrilled holes, patterned on the Box you just drilled to the mounting surface where holes need to be drilled.

Step 5: Remove Box and drill four 3/8" diameter holes at each mark you marked on the mounting surface or on Box (**refer to truck O.E.M. shop manual for recommended drilling instructions on surface**).

Step 6: Insert bolts (B) with washers (C) (as shown on Drawings) through the surface, from Box side and slide bolts through the mounting surface. Place one flat washer under a lock nut on the back side of the mounting surface or bracket and tighten all nuts securely to complete installation.

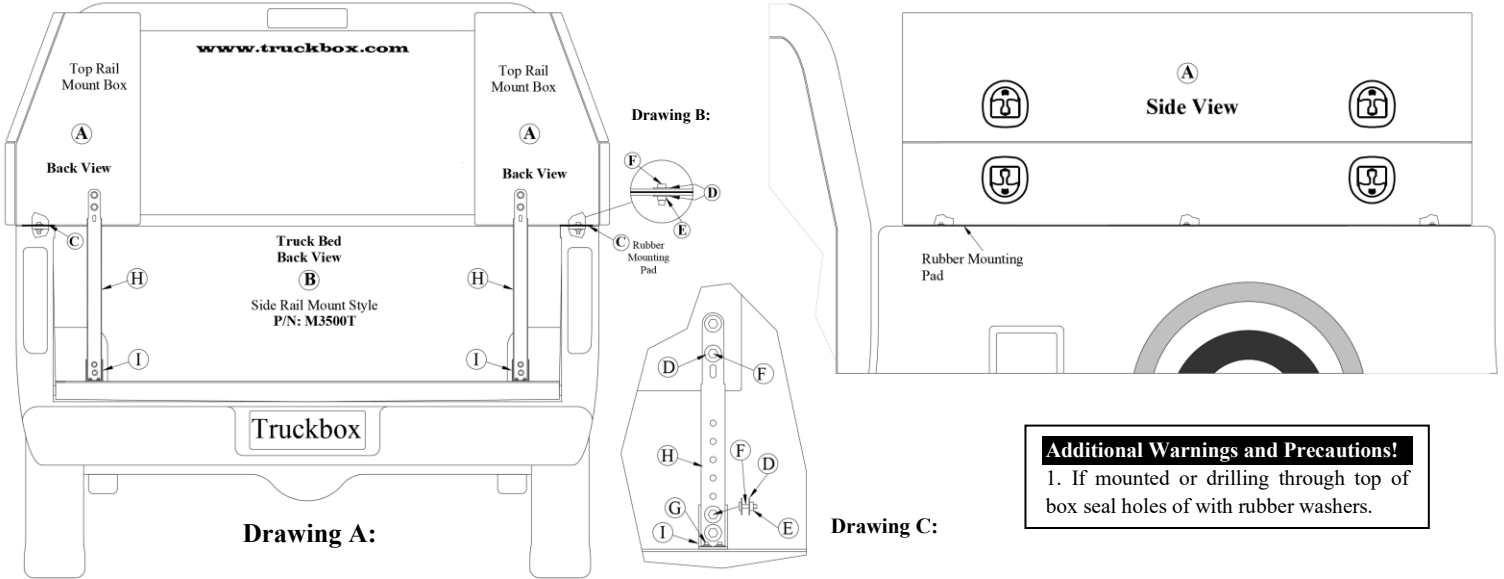
Top Side Rail Mount Boxes – DU, SG, SG & SR Series Boxes.

Installation Time and Tools Required

The approximate installation time is two (2 to 4) Hours per box; this is depending on installation experience.

- | | |
|-----------------------------|-------------------------|
| 1. ½”- 9/16 Ratchet Wrench. | 4. Drill with 5/16” Bit |
| 2. ½”- 9/16 Wrench | 5. Square |
| 3. Tape Measure | 6. 5/16” drill Tip |

Top Side Rail Mount Utility Box Installation Mounting Instructions:



M3500T - Installation Assembly Parts List

No.	Item No.	Part No.	Description	Qty.
1	A	Top Side Rail Box	Compartment Utility Box	N/A
2	B	Truck Box	Truck Box	N/A
3	C	R1803	Rubber 3” x Width of Box	12
4	D	WF858L13	Washer Flat 5/16”	22
5	E	NL858L	Nut Lock 5/16”	11
6	F	BH858L13	Bolt 5/16” x 1”	11
7	G	SH577K14	Screw Self Drilling #14 x 1.5”	6
8	H	1A320	Upper Mounting Side Bracket	2
9	I	1A320-1	Lower Mounting Side Bracket	2

Installation Steps

<p>Step 1: Check all parts by using the installation assembly parts list in this manual, and make sure all parts are with package. Look over the area where the Box should be mounted to make sure that there is enough room to mount Box.</p>	<p>Step 2: Remove all components from package and carefully move Box to top rail position behind the cab where the box is to be mounted to assure Box is mountable at that area and square box.</p>
<p>Step 3: Measure and/or mark the rail area under the box. Remove Box from mounting position and flip box over. Mark three places to drill holes for mounting box center on rail, (check truck rail if drillable in that area) and drill each hole in box. Apply the 3” strip of rubber material on marked Box mounting surface as shown in Drawing A.</p>	<p>Step 4: Relocate Box back to mounting position on top of rails. Support Box by shimming small pieces of wood between Box and truck box fender. Mark all holes on truck rail, drilled in box and drill holes through truck rail, if need relocate box to drill truck rail.</p>
<p>Step 5: Insert all three bolts from inside Box (as shown in drawing B). Attach two washers, one on each sides and lock nut to each bolt and tighten all nuts securely.</p>	<p>Step 6: Assemble both side brackets (K & L) (with two bolts each) as shown in Drawing C. Hold and square brackets to mounting position and mark top holes (two each) on Box back (two mounting brackets as required per box).</p>
<p>Step 7: Drill holes with a 5/16” bit. Install bolts (as shown in drawing C), square bracket and tighten bolts. Install the three self-drilling screws on bottom of each bracket. If boxes are mounted on both side of truck, repeat steps 1 thru step 7 for 2nd box and then move on to step 7. If an over the cab ladder rack is installed on pickup truck, top of boxes can be bolted to rack.</p>	<p>Step 8: If cross top brackets are used, like M3500TT, see M3500TT Mounting Installation sheet</p>

Notes.

1. If your pickup truck is fitted with a plastic bed liner it may need to be trimmed, drilled, or cut for proper installation of box.
2. Use touch-up paint on any drilled holes to prevent oxidation or rust.
3. Mounting clamp bolts may be difficult to turn or tighten due to locknut feature. Apply a small amount of oil to bolt before installing for ease assembly

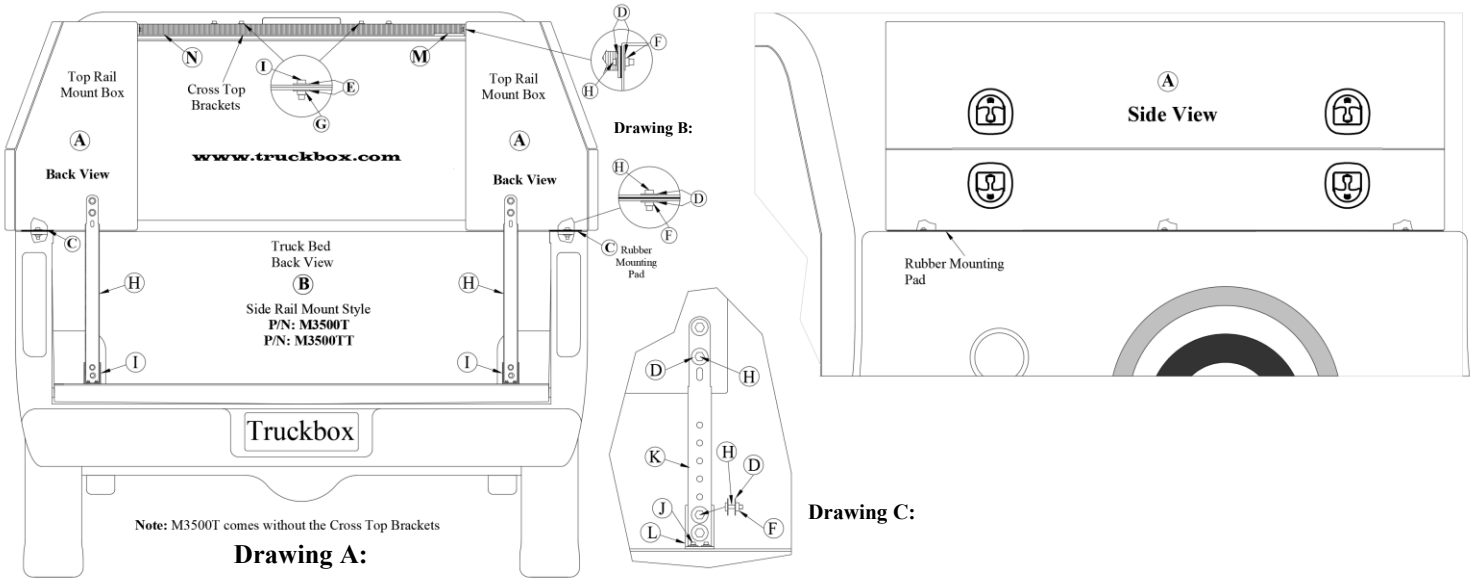
Top Side Rail Mount with Top Cross Brackets – DU, SG, SG & SR Series Boxes..

Installation Time and Tools Required

The approximate installation time is two (2 to 4) Hours per box; this is depending on installation experience.

1. ½”-9/16 Ratchet Wrench.
2. ½”-9/16 Wrench
3. Tape Measure
4. Drill with 5/16” Bit
5. Square
6. 5/16” drill Tip

Top Side Rail Mount Utility Box Installation Mounting Instructions:



M3500T & M3500TT- Installation Assembly Parts List

No.	Item No.	Part No.	Description	Qty. (M3500T)	Qty. (M3500TT)
1	A	CU Box	Compartment Utility Box	N/A	N/A
2	B	Truck Box	Truck box	N/A	N/A
3	C	R1803	Rubber 3” x Width of Box	12	1
4	D	WF858L13	Washer Flat 5/16”	22	16
5	E	WF858N14	Washer Flat 3/8”	N/A	16
6	F	NL858L	Nut Lock 5/16”	11	8
7	G	NL858N	Nut Lock 3/8”	N/A	8
8	H	BH858L13	Bolt 5/16” x 1”	11	8
9	I	BH858N13	Bolt 3/8” x 1”	N/A	8
10	J	SH577K14	Screw Self Drilling #14 x 1.5”	6	N/A
11	K	1A320	Upper Mounting Side Bracket	2	N/A
12	L	1A320-1	Lower Mounting Side Bracket	2	N/A
13	M	1A324-IB	Cross Top Bracket (Inner-Smaller)	N/A	2
14	N	1A324-OB	Cross Top Bracket (Outer-Bigger)	N/A	2

Installation Steps

- | | |
|---|--|
| <p>Step 1: Check all parts by using the installation assembly parts list in this manual, and make sure all parts are with package. Look over the area where the Box should be mounted to make sure that there is enough room to mount Box.</p> <p>Step 3: Measure and/or mark the rail area under the box. Remove Box from mounting position and flip box over. Mark three places to drill holes for mounting box center on rail, (check truck rail if drillable in that area) and drill each hole in box. Apply the 3” strip of rubber material on marked Box mounting surface as shown in Drawing A.</p> <p>Step 5: Insert all three bolts from inside Box (as shown in drawing B). Attach two washers, one on each sides and lock nut to each bolt and tighten all nuts securely.</p> <p>Step 7: Drill holes with a 5/16” bit. Install bolts (as shown in drawing C), square bracket and tighten bolts. Install the three self-drilling screws on bottom of each bracket. If boxes are mounted on both side of truck, repeat steps 1 thru step 7 for 2nd box and then move on to step 8. If an over the cab ladder rack is installed on pickup truck, top of boxes can be bolted to rack and M3500TT brackets can be eliminated.</p> <p>Step 9: Remove brackets and drill holes with a 5/16” bit. Install bolts (as shown in drawing A) and tighten all nuts securely.</p> | <p>Step 2: Remove all components from package and carefully move Box to top rail position behind the cab where the box is to be mounted to assure Box is mountable at that area and square box.</p> <p>Step 4: Relocate Box back to mounting position on top of rails. Support Box by shimming small pieces of wood between Box and truck box fender. Mark all holes on truck rail, drilled in box and drill holes through truck rail, if need relocate box to drill truck rail.</p> <p>Step 6: Assemble both side brackets (K & L) (with two bolts each) as shown in Drawing C. Hold and square brackets to mounting position and mark top holes (two each) on Box back (two mounting brackets as required per box).</p> <p>Step 8: If cross top brackets are used - Assemble both top brackets (M & N) (with four bolts each) as shown in Drawing A. Hold and square brackets to mounting position and mark all four holes (two each end of brackets) on Box back (two top brackets as required per installation).</p> |
|---|--|

Notes.

4. If your pickup truck is fitted with a plastic bed liner it may need to be trimmed, drilled, or cut for proper installation of box.
5. Use touch-up paint on any drilled holes to prevent oxidation or rust.
6. Mounting clamp bolts may be difficult to turn or tighten due to locknut feature. Apply a small amount of oil to bolt before installing for ease assembly

CP Service Pack Box Series Mounting Kit– M3454C.

Installation Sheet

Applications: Frame Truck Mount Smaller Trucks

Installation Steps

Check all parts by using the installation assembly parts list in this manual, and make sure all parts are with package. Look over the area where the Box should be mounted to make sure that there is enough room to mount Box.

Step 1: Assemble the four U-bolts (B) and four tie bars (C) to the frame using four 5/8" lock washers (D) and nuts (E). **It is recommended to mount the toolboxes 3" Min. from truck cab.**

Step 2: Torque each nut to 90-100 ft-lbs. Assemble one 5/8" flat washer (F) on top of each installed hex nut (E).

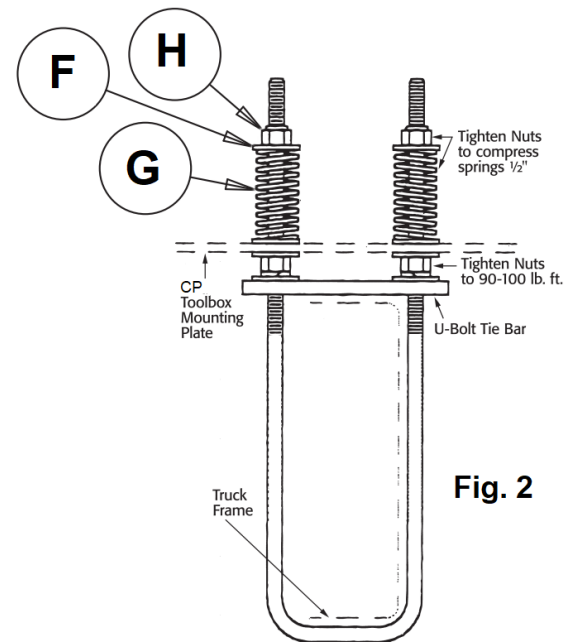
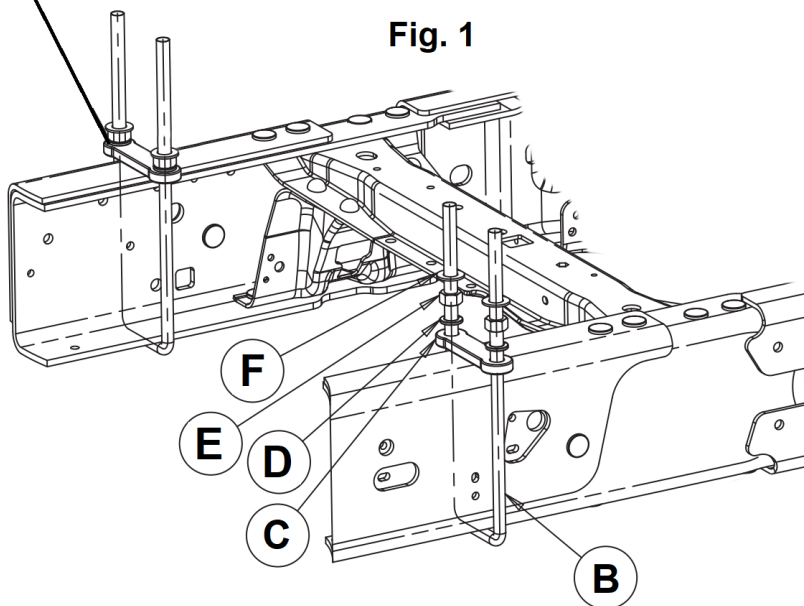
Step 3: Lower backpack toolbox over the installed U-bolts resting it on the U-bolt flat washers.

Step 4: Verify that the toolbox is perpendicular with the truck frame and there is a minimum of 2-3/4" clearance from the cab. If necessary, additional flat washers (F) may be assembled to the front or the back U-Bolts to adjust the toolbox angle.

Step 5: Assemble the toolbox to U-bolts using eight 5/8" flat washers (F), four springs (G) and four lock nuts (H). Assemble one flat washer above and below each spring and tighten each lock nut (H) such that it compresses each spring 1/2".

Periodically check the tightness of the fasteners.

Torque Nuts to 90-100 Ft-lb



No.	Item No.	Part No.	Description	Qty.
1	A	M3454C	U-Bolt Mounting Kit Assembly	1
2	B	IUB-425-625-16	U-Bolt	4
3	C	1CPA-425-625	Plate Frame 5.75"	4
4	D	WL858C16	Washer Lock 5/8"	8
5	E	BH557V31F	Nut 5/8"	8
6	F	WF858C16	Washer Flat 5/8"	18
7	G	1A827-S30	Spring	8
8	H	NL858V	Nut Lock 5/8"	8

Notes.

1. Use touch-up paint on any drilled holes to prevent oxidation or rust.
2. Mounting clamp bolts may be difficult to turn or tighten due to locknut feature. Apply a small amount of oil to bolt before installing for ease assembly

CP Service Pack Box Series Mounting Kit– M3460C and M3460-250-52B.

Installation Sheet

Applications: 2017 thru 2020 F350 Cab and Chassis 2017+ F450 Cab and Chassis 2017+ F550 Cab and Chassis

Installation Steps

Check all parts by using the installation assembly parts list in this manual, and make sure all parts are with package. Look over the area where the Box should be mounted to make sure that there is enough room to mount Box.

Step 1: Attach the mount bracket weldment (A) to the lower holes of the truck's rear cab mounting bracket with two 3/8" screws (K), four flat washers (L) and two lock nuts (M). Tighten to 65-70 ft-lbs. (See Figure 1).

Step 2: Using the top hole in the mounting bracket (A) as a guide, drill through rear cab bracket with a 3/8" drill bit. Repeat on other side of the bracket.

Step 3: Assemble two 3/8" screws (K), four flat washers (L) and two lock nuts (M) into the top holes of the mounting bracket. Tighten to 65-70 ft-lbs.

Step 4: Assemble the two U-bolts (B) and two tie bars (C) to the frame using four 5/8" lock washers (G) and nuts (F). The center of each U-bolt should be 25-5/8" to 25-3/4" from the rear of the installed mounting bracket (A). Torque each nut to 90-100 ft-lbs. Assemble one 5/8" flat washer (I) on top of each installed hex nut (F).

Step 5: For the F450 & F550 applications only: Place the two spacer plates (E) on top of the mounting bracket (A) aligning the holes with the slots in both sides.

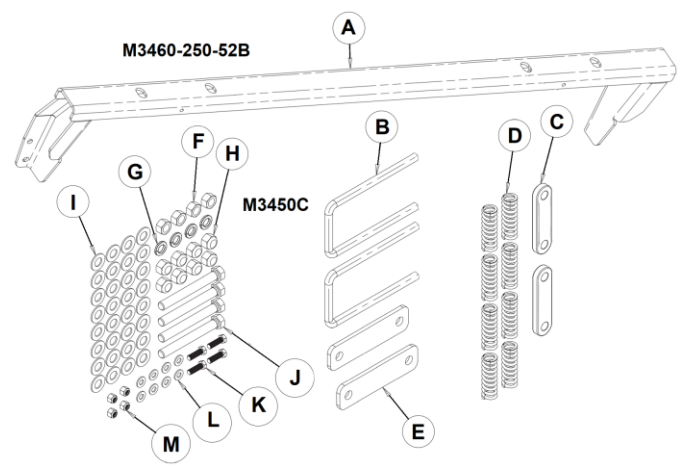
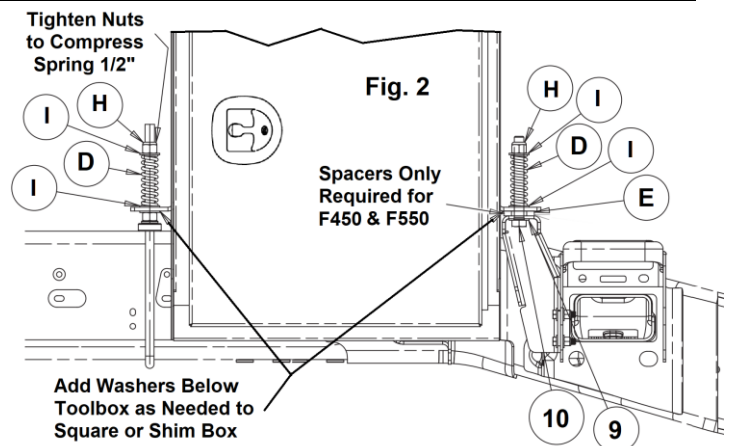
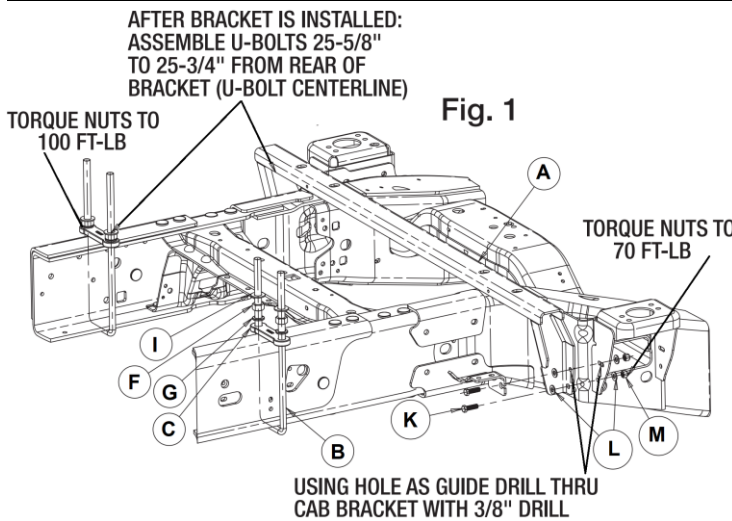
Step 6: Lower backpack toolbox over the installed U-bolts resting it on the mount bracket (F350) or spacer plates (F450/F550) in the front and the U-bolt flat washers in the rear.

Step 7: Verify that the toolbox is perpendicular with the truck frame and there is a minimum of 2-3/4" clearance from the cab. If necessary, additional flat washers (I) may be assembled to the front or the back attachments to adjust the toolbox angle. Also, the slots in the mounting bracket allow for a small amount of cab clearance adjustment; reposition U-bolts as required.

Step 8: Verify alignment of the spacers (F450/F550) and washers (if used) with each slot in the toolbox mount bracket and toolbox mounting flange. Assemble the toolbox to the mounting bracket using four 5/8" screws (J), twelve flat washers (I), four springs (D) and four lock nuts (H). Assemble one flat washer onto each screw before assembly and one flat washer above and below each spring. Tighten each lock nut (H) such that it compresses each spring 1/2". See Figure 2.

Step 9: Assemble the toolbox to U-bolts using eight 5/8" flat washers (I), four springs (D) and four lock nuts (H). Assemble one flat washer above and below each spring and tighten each lock nut (H) such that it compresses each spring 1/2".

10. Periodically check the tightness of the fasteners.



No.	Item No.	Part No.	Description	Qty.
1	A	M3460-250-52	Bracket Adapter	1
M3454C Kit				
2	B	IUB-425-625-16	U-Bolt	2
3	C	1CPA-425-625	Plate Frame 5.75"	2
4	D	1A827-S30	Spring	8
5	E	1CPA-600-625	Plate Box 7.75"	2
6	F	BH557V31F	Nut 5/8"	4
7	G	WL858C16	Washer Lock 5/8"	4
8	H	NL858V	Nut Lock 5/8"	8
9	I	WF858C16	Washer Flat 5/8"	32
10	J	BH557V31F	Bolts 5/8" x 5-1/2"	4
11	K	BH858O14	Bolts 3/8" x 1.1/4"	4
12	L	WF858N14	Washers Flat 3/8"	8
13	M	NL858O	Nut Lock 3/8"	4

Notes.

1. Use touch-up paint on any drilled holes to prevent oxidation or rust.
2. Mounting clamp bolts may be difficult to turn or tighten due to locknut feature. Apply a small amount of oil to bolt before installing for ease assembly

Chest Box Series.

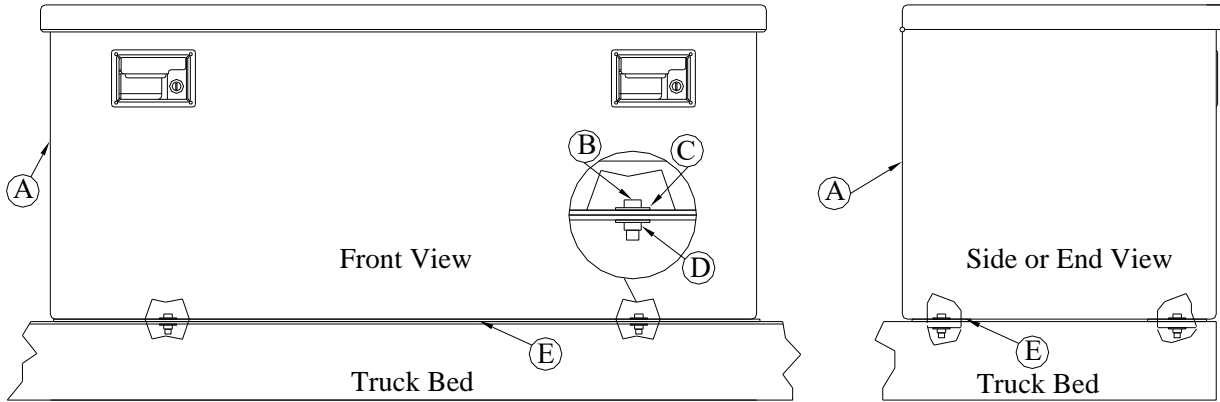
Installation Time and Tools Required

The approximate installation time is a half (1/2) Hour; this is depending on installation experience.

1. 1/2" Ratchet Wrench.
2. 1/2" Wrench
3. Tape Measure
4. Drill & 3/8" Bit

Chest Box Installation Mounting Instructions.

Drawing A:



M3200D Series - Installation Assembly Parts List

No.	Item No.	Part No.	Description	Qty.
1	A	TC	Chest Box	N/A
2	B	BH577L18F	Bolt 5/16" x 2.25"	4
3	C	WF267L13	Washer Flat 5/16"	8
4	D	NL577L	Nut Lock 5/16"	4
5	E	R1802	Rubber 2" x Length of Box	2

Installation Steps

<p>Step 1: Check all parts by using the installation assembly parts list in this manual, and make sure all parts are with package. Look over the area where the box should be mounted to make sure that there is enough room to mount box.</p>	<p>Step 2: Remove all components from package and carefully move Box to the flat surface where to be mounted to assure Box is mountable at that area. Holes are not predrilled in Box due to variations in mounting.</p> <p>Note: Always drill hole as far to the outside edge of Box as possible.</p>
<p>Step 3: Remove Box from mounting position. Mark all four holes outside on bottom of Box where box will be mounted to flat surface and drill all four holes with 3/8" bit.</p>	<p>Step 4: Relocate Box back to mounting position. Mark the predrilled holes, patterned on the Box you just drilled to the mounting surface where holes need to be drilled.</p>
<p>Step 5: Remove Box and drill four 3/8" diameter holes at each mark on the mounting surface (refer to truck O.E.M. shop manual for recommended drilling instructions).</p>	<p>Step 6: Insert bolts with washers (as shown on Drawing A) through the bracket, from Box side and slide bolts through the mounting surface. Place one flat washer under a lock nut on the back side of the mounting surface and tighten all nuts securely to complete installation.</p>

AF A-Frame Box Series.

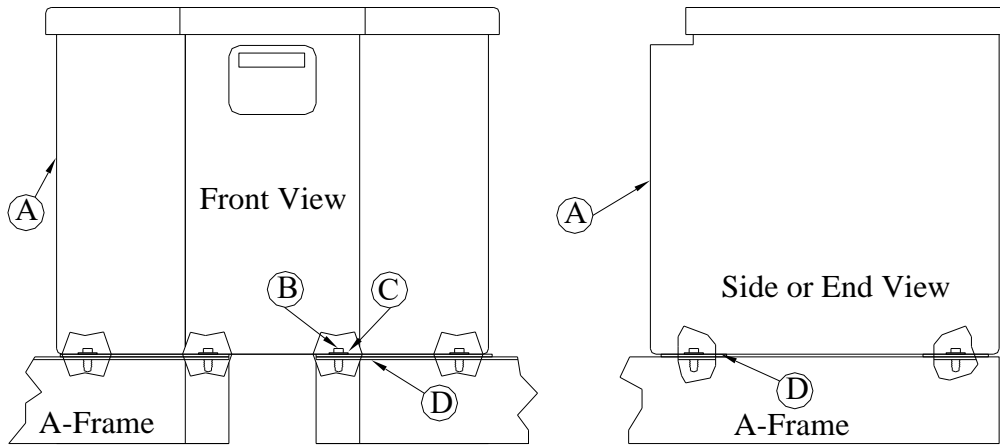
Installation Time and Tools Required

The approximate installation time is a half (1/2) Hour; this is depending on installation experience.

- 1. 5/16” Nut Setter Tip.
- 2. Tape Measure
- 3. Drill & 1/4” Bit

A-Frame Box Installation Mounting Instructions.

Drawing A:



M3300F Installation Assembly Parts List

No.	Item No.	Part No.	Description	Qty.
1	A	AF Box	A-Frame Box	N/A
2	B	SH577K15	Screw Self Drilling #14 x 1.5”	4
3	C	WF267J13	Washer Flat 1/4”	4
4	D	R1803	Rubber 3” x Length of Box	2

Installation Steps

Step 1: Check all parts by using the installation assembly parts list in this manual, and make sure all parts are with package. Look over the area where the box should be mounted to make sure that there is enough room to mount box.

Step 2: Remove all components from package and carefully move Box to the A-Frame surface where to be mounted to assure Box is mountable at that area. Holes are not predrilled in Box due to variations in mounting.

Note: Always drill hole as far to the outside edge of Box as possible.

Step 3: Mark Box on bottom, by outlining both frames where box will be mounted. Remove Box from mounting position and flip box upside down on a pad. Make a center line between each set of outlining lines that outline the frame where box was resting on. Mark three holes per side, one in the center of center line, two far to the outside edge of box as possible. Drill all six holes with 1/4” bit as marked.

Step 4: Apply one 3” rubber on each side to bottom of Box, centered on center line the full length of Box. Relocate Box back to mounting position. Screw all six self drilling screws with washer in with drill and nut setter and tighten screws to finish installation. **(refer to trailer O.E.M. shop manual for recommended drilling instructions).**

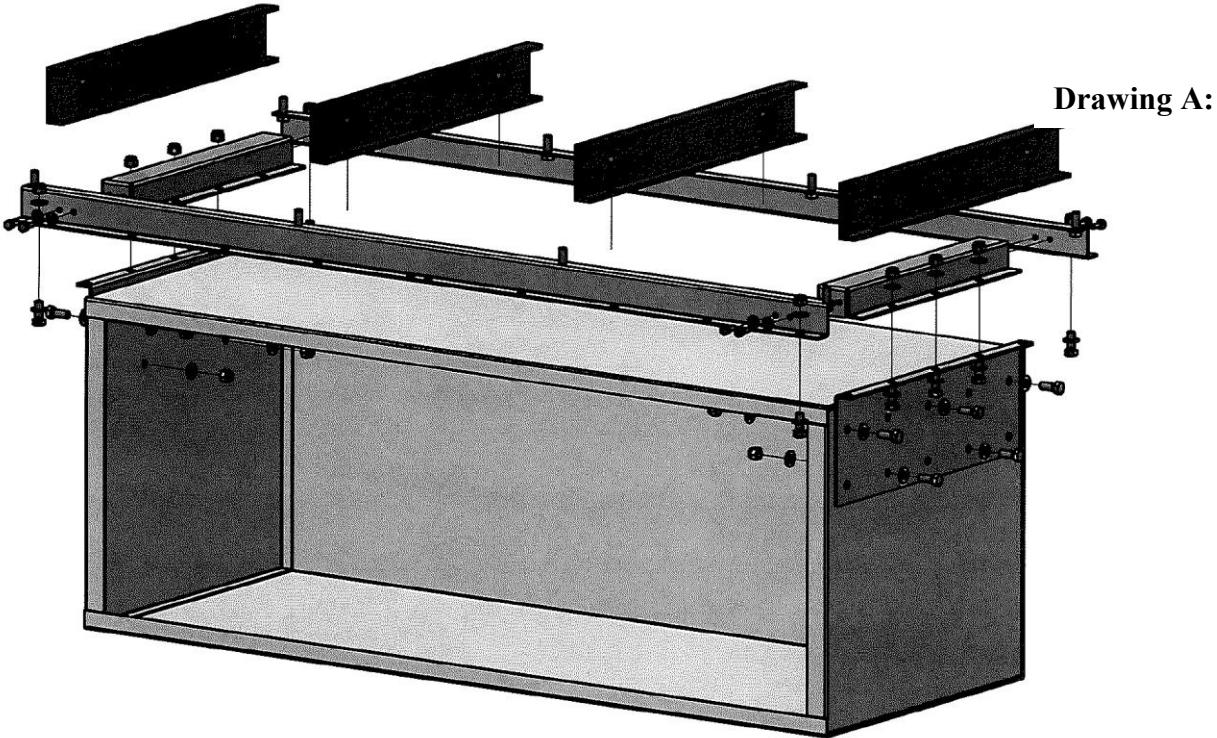
Pickup Flatbed Underbody Mounting Brackets.

Installation Time and Tools Required

The approximate installation time is a One (1) Hour; this is depending on installation experience.

- | | |
|---|---------------------|
| 1. Socket & wrench
7/16" & 9/16" size. | 3. Drill & 3/8" Bit |
| 2. Tape Measure | 4. Vise Grips |

Underbody Boxes Installation Mounting Instructions.



M3600D Installation Assembly Parts Kist

No.	Item	Part No.	Description	Qty.	No.	Item	Part No.	Description	Qty.
1	A	Box	Underbody Box	N/A	6	F	WF858N14	3/8" Washer	56
2	B	M36-48S-B	Base Stringer	2	7	G	NL858N	3/8" Loch Nut	28
3	C	M36-18C-B	Cross Stringer	2	8	H	BH858J12	1/4" Bolt	8
4	D	M36-18M-B	Mount Plate	2	9	I	WF858J12	1/4" Washer	16
5	E	BH858N13	3/8" x 1" Bolt	28	10	J	NL858J	1/4" Lock Nut	8

Installation Steps

Step 1: Check all parts by using the installation assembly parts list in this manual, and make sure all parts are with package. Look over the area where the box should be mounted to make sure that there is enough room to mount box.

Step 2: Remove all components from package and carefully move Box (A) to the underdeck position where to be mounted to assure Box is mountable at that area. Holes are not predrilled in Box due to variations in mounting.

Step 3: Assemble mounting kit by using (B), (C) & (D) brackets and bolts (H), washers (I) and nuts (J) as shown in drawing A and tighten bolts! Hold assembled bracket to underdeck of flatbed and check mounting area. Bracket can be held in place with vise grips! Square bracket and mark the holes on cross beams on flatbed deck where bolts (E) will be securing bracket to flatbed crossbeams! Remove bracket and drill with 3/8" bit all marked holes and bolt bracket to cross beam with fasteners (E), (F) & (G) and tighten all bolts.

Step 4: Next move box under bracket and slide box up between brackets (D) to desired position and mark all holes to drill in box! Lower box and drill all holes with 3/8" bit and relocated box up to mounting bracket and install bolts (E), washers (F) and nuts (G) as shown on Drawing A Tighten screws to finish installation.

TS, TL & TT Series Auxiliary Fuel Tank.

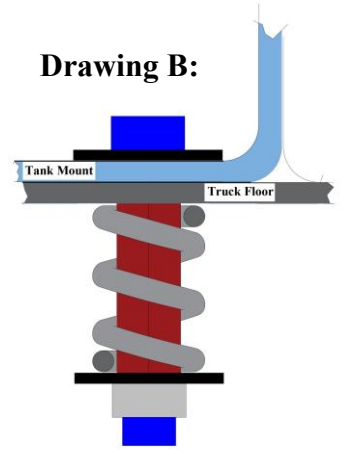
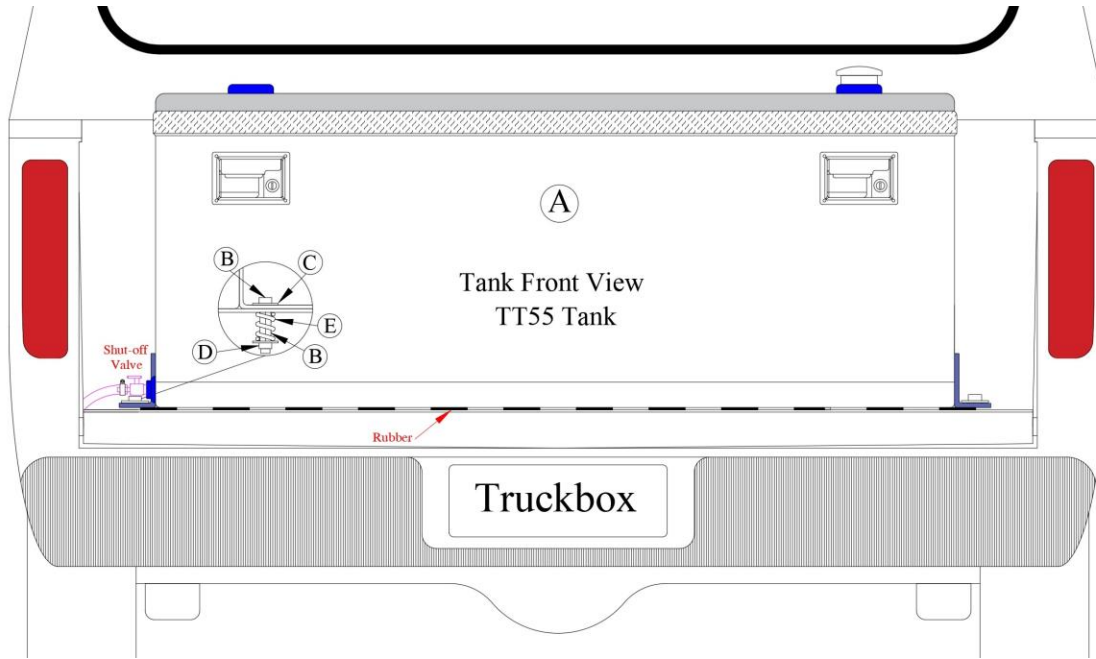
Installation Time and Tools Required

The approximate installation time is two (1) Hours; this is depending on installation experience.

- 1. Ratchet Wrench.
- 2. Wrench

- 3. Drill & Bit
- 4. Tape Measure

Auxiliary Tank Installation Instructions.



M3702-TMK Kit					M3705-TMK Kit		
No.	Item	Part No.	Description	Qty.	Part No.	Description	Qty.
1	A	Tank	Fuel Tank/Box	N/A	Tank	Fuel Tank/Box	N/A
2	B	BH858N22	3/8" x 3-1/4" Bolt	4	BH858N24	1/2" x 3-3/4" Bolt	4
3	C	WF214N12	3/8" Washer	8	WF214R13	1/2" Washer	8
4	D	NL858N	3/8" Lock Nut	4	NL858R	1/2" Lock Nut	4
5	E	1A827-S02	Spring	4	1A827-S05	Spring	4

Installation Steps

Step 1: Check all parts by using the installation assembly parts listed and make sure all parts are with package.

Step 2: Look over the area where the Tank should be mounted to make sure that there is enough room to mount Tank and how to best install the Tank

Step 3: Remove all components from package and locate Tank where it is to be mounted to assure Tank is mountable at that area. If Tank has a tool box make sure lid can open.

Step 4: Square Tank and mark the four holes on truck bed where the Tank is to be mounted. Check truck wiring and hoses under bed if none are path of your marked holes.

Step 5: Relocate the Tank to the side and drill all four holes in truck bed. The holes size will depend on the mounting kit (see chart above).

Step 6: After drilling the holes, clean the box from drilling debris or dirt. Cut the 2" neoprene to the same length as tank depth and apply to the truck box ridges on top part at four different locations.

Note: For installing Fuel Tank Kit, see Tank Kit Installation Sheet.

Step 7: Relocate tank back to mounting position and install the bolts, washers, bushings, springs, and nuts as shown on drawing Option 1 or Drawing B.

Step 8: Tighten all the nuts firmly. This should allow the tank to be anchored to the floor and still be able to shift if the truck box twists

Notes. Use touch-up paint on any drilled holes to prevent oxidation or rust

Caution: 1. Use an aluminum or light weight pump on aluminum Tanks, using a heavy pump can damage tank! 2. Never mount fuel Tank directly to truck frame, or without the spring-loaded kit, for this can case tank failure and will void Tank warranty.

Warning: It is the user's responsibility to comply with local, state and federal requirements pertaining to safe transportation, loading and discharging of tank contents.

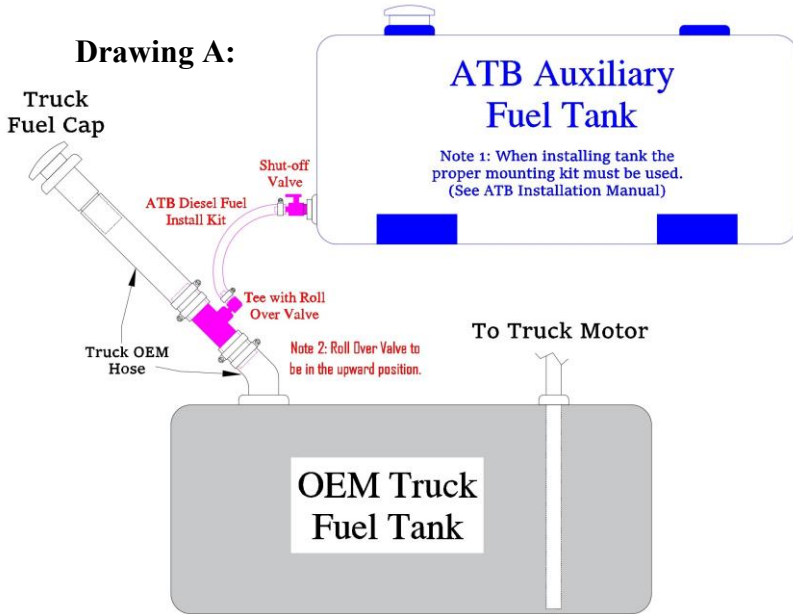
Fuel Connection Kits - Installation Sheet for TS, TL & TT Series.

Installation Time and Tools Required

The approximate installation time is two (2) Hours; this is depending on installation experience.

- | | |
|-----------------|---------------------|
| 1. Hose cutter. | 3. Nut driver |
| 2. Adj. wrench | 4. 3/4" bit & drill |

Auxiliary Tank Installation Instructions.



Drawing B:



Drawing C:



Drawing D:

“Professional installation by a certified technician is strongly recommended”

Not responsible for altered products. No claims are made regarding any lifting devices. Any and all claims implied in this document excluded.

FTIK-10, FTIK-20 & FTIK-30 Kits

No.	Part No.	Description	Fill Line Size
1	FTIK-10	Chevy/GMC 2010 & Older Models	2.0"
2	FTIK-20	Ford - Dodge 2012 & Older - Chevy/GMC 2011 & Newer	1-1/2"
3	FTIK-30	Dodge 2013 & Newer Models	1-3/4"

Installation Steps

Step 1: Check all parts by using the installation assembly parts list and make sure all parts are with package. Check the diameter of the truck fill hose and make sure you have the correct kit.	Step 2: Look over the area where the Tank should be mounted to make sure that there is enough room to mount Tank and how to best install this kit
Step 3: Remove all components from package and locate Tank where it is to be mounted to assure Tank is mountable at that area.	Step 4: Mark a spot in the side bed, make sure your mark is lower & vertical aligned with the side drain or shut-off valve.
Step 5: Relocate the Tank to the side and drill a 3/4" hole in the bed for the fuel hose (See Drawing A). Note: For installing Tank, see Tank Installation Sheet.	Step 6: After drilling the fuel line hole, remove the plug from the side or bottom of the Tank and install the shut-off valve in the opening (See drawing A). Sealant tape on the threads is helpful.
Step 7: Now cut approximately 1 1/2" of the fill hose (See drawing B). Note: If truck has a metal fill pipe use the two rubber collars to connect the fill hose and adaptor after cutting.	Step 8: Install the tee adaptor as horizontal as possible with the roll over valve upright and small hose pointing up (See drawing C & D). Then secure the tee fitting tightly with the hose clamps
Step 9: Connect the hose to the shut-off valve and secure with hose clamp and push the hose through the previously drilled 3/4" hole.	Step 10: Measure the distance to the adapter and cut off the unneeded hose. Connect the hose to the roll over valve on top of the adapter and secure with a hose clamp.
Step 11: If truck main Tank has an open vent, splice and run the vent hose up so it is above the auxiliary tank or right under box rail to protect from water.	Step 12: Fill Tank with fuel and open shut-off valve. Check all the connections for any leaks, if none are found, Tank is ready to go.

Notes. Use touch-up paint on any drilled holes to prevent oxidation or rust

Caution: 1. Keep the truck main tank fuel cap closed when the auxiliary tank has fuel and the shut-off valve is open, system is designed to have the truck fuel cap in place. Do not look into truck cap while truck is running to check fuel filler operate.

Warning: It is the user's responsibility to comply with local, state and federal requirements pertaining to safe transportation, loading and discharging of tank contents.

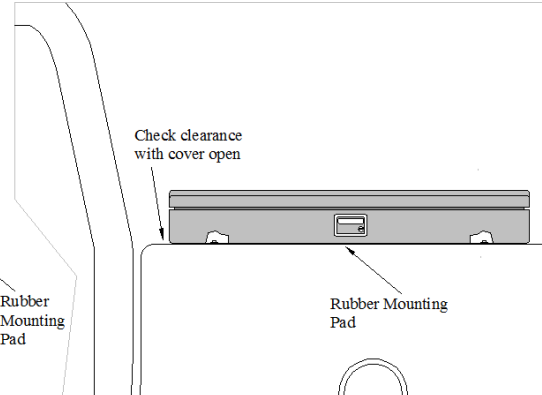
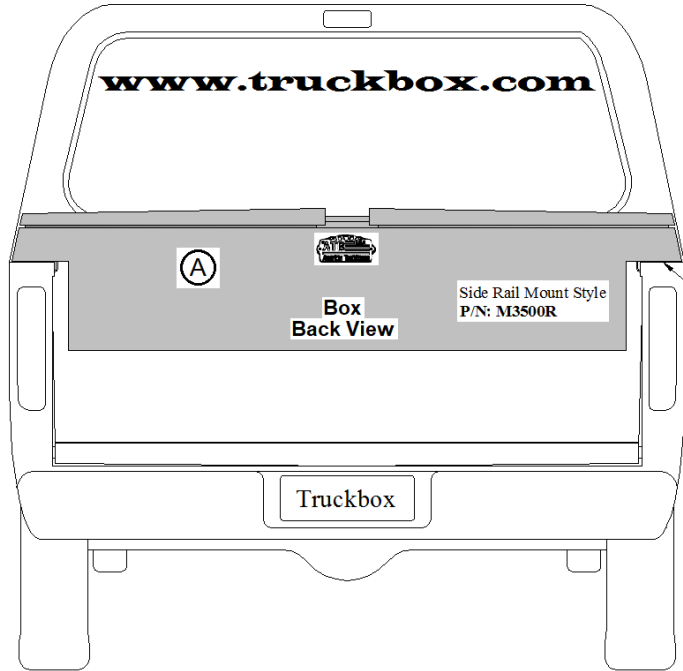
Cross & Cross Saddle Box Series.

Installation Time and Tools Required

The approximate installation time is a half (1/2) Hour; this is depending on installation experience.

1. 1/2" Ratchet Wrench.
2. 1/2" Wrench
3. Tape Measure

Cross Box Installation Mounting Instructions.



Drawing A:

Note: Cross Boxes with Larger Capacity or for Heavier Loading use M3500RR Mounting Kit.

M3500R Installation Assembly Parts List

No.	Item No.	Part No.	Description	Qty.
1	A	Cross Box	Cross Box	N/A
2	B	1A321	J-Bolt 5/16"	4
3	C	WF267L13	Washer Flat 5/16"	4
4	D	NL577L	Nut Lock 5/16"	4
5	E	R1803	Rubber 3" x Depth of Box	2

Installation Steps

Step 1: Check all parts by using the installation assembly parts list in this manual, and make sure all parts are with package. Look over the area where the Box should be mounted to make sure that there is enough room to mount Box.

Step 2: Remove all components from package and carefully move Box to the side rail right behind the cab where to be mounted to assure Box is mountable at that area. Slotted holes are predrilled in Box for easy mounting.

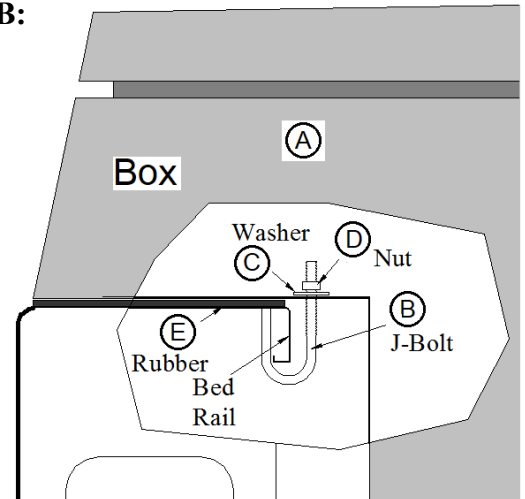
Step 3: Remove Box from mounting position and apply the 3" strip of rubber material (E) on Box mounting surface as shown in Drawing A and/or Drawing B

Step 4: Relocate Box back to mounting position on top of truck box rails or box sides.

Step 5: Insert all four J-Bolts (B) (two on each side) from inside Box (as shown in drawing B). Add washers (C) and Nut (D) to each J-Bolt.

Step 6: Align and center Box to front pickup box so that Box is about 1/8" of an inch away from trucks box front and tighten all nuts securely to complete installation.

Drawing B:



Notes.

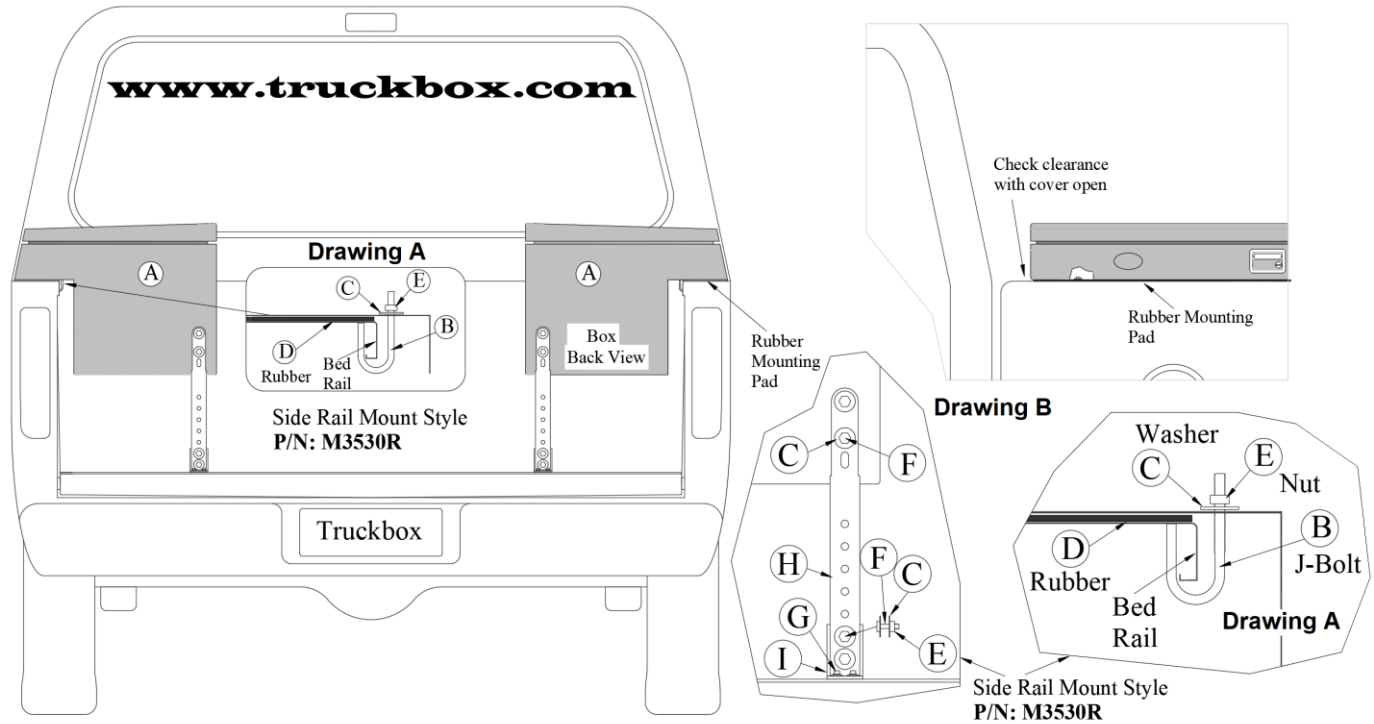
1. If your pickup truck is fitted with a plastic bed liner it may need to be trimmed, drilled or cut for proper installation of box.
2. Use touch-up paint on any drilled holes to prevent oxidation.
3. Mounting J-bolts may be difficult to turn or tighten due to locknut feature. Apply a small amount of grease (oil) to bolt before installing for ease assembly.

Side Box Series.

Installation Time and Tools Required

The approximate installation time is one (1) Hour per box; this is depending on installation experience.	1. ½” Ratchet Wrench.	4. Drill with 3/8” Bit
	2. ½” Wrench	5. Square
	3. Tape Measure	6. 5/16” drill Tip

Side Box Installation Mounting Instructions.



M3530R Installation Assembly Parts List

No.	Item No.	Part No.	Description	Qty.
1	A	Side Box	Side Box	N/A
2	B	1A321	J-Bolt 5/16”	3
3	C	WF267L13	Washer Flat 5/16”	19
4	D	R1803	Rubber 3” x Width of Box	1
5	E	1A520	Nut Serrated 5/16”	7
6	F	BH577L13	Bolt 5/16” x 1”	4
7	G	SH577515	Screw Self Drilling #14 x 1”	6
8	H	1A320	Upper Mounting Side Bracket	2
9	I	1A320-1	Lower Mounting Side Bracket	2

Installation Steps

Step 1: Check all parts by using the installation assembly parts list in this manual, and make sure all parts are with package. Look over the area where the Box should be mounted to make sure that there is enough room to mount Box.	Step 2: Remove all components from package and carefully move Box to the side rail right behind the cab where to be mounted to assure Box is mountable at that area. Slotted holes are predrilled in Box for easy mounting.
Step 3: Remove Box from mounting position and flip box over. Apply the 3” strip of rubber material on Box mounting surface as shown in Drawing A.	Step 4: Relocate Box back to mounting position on top of mounting pads. Support Box by shimming small pieces of wood between Box and truck box fender.
Step 5: Insert all three bolts from inside Box (as shown in drawing B) with washers attached. Attach a mounting clamp to each bolt and a Flange lock nut on the bottom side of the mounting clamp.	
Step 6: Align and center Box to front pickup box so that Box is about 1/8” of an inch away from trucks box front and tighten all nuts securely.	
Step 7: Assemble both side mounting brackets (I) (with two bolts each) as shown in Drawing A. Hold and square brackets to mounting position and mark top holes (two each) on Side Box (two mounting brackets as required, one in front and one in the back. Front bracket can be mounted on the inside).	
Step 8: Drill holes with a 3/8” bit. Install bolts (as shown in drawing A), square bracket and tighten bolts. Install the two self drilling screws on bottom of each bracket, with drill to finish installation.	

Notes.

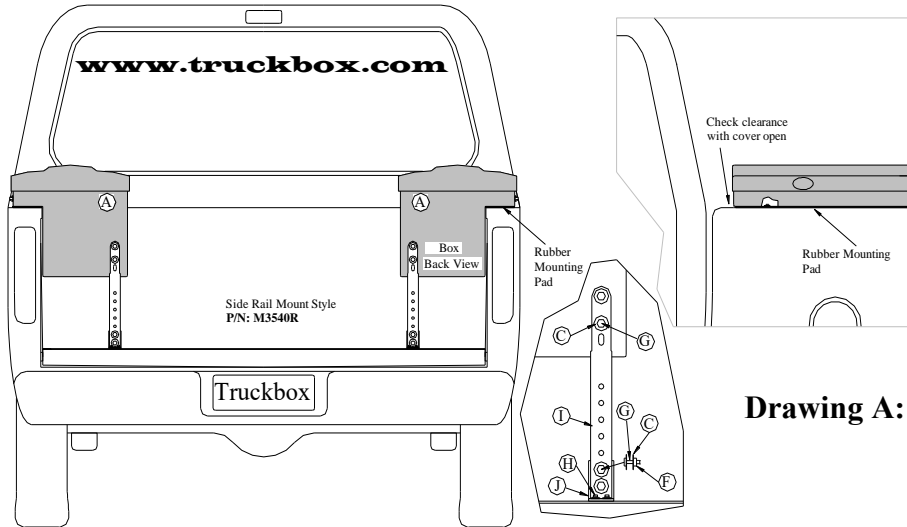
- If your pickup truck is fitted with a plastic bed liner it may need to be trimmed, drilled or cut for proper installation of box.
- Use touch-up paint on any drilled holes to prevent oxidation.
- Mounting clamp bolt may be difficult to turn or tighten due to locknut feature. Apply a small amount of grease (oil) to bolt before installing for ease assembly

CC Rail Box Series.

Installation Time and Tools Required

The approximate installation time is one (1) Hour per box; this is depending on installation experience.	1. ½” Ratchet Wrench.	4. Drill with 3/8” Bit
	2. ½” Wrench	5. Square
	3. Tape Measure	6. 5/16” drill Tip

Rail Box Installation Mounting Instructions.



Additional Warnings and Precautions!
 1. Never mount or drill through top of box:

Drawing A:

M3540R Installation Assembly Parts List

No.	Item No.	Part No.	Description	Qty.
1	A	CC	Rail Box	N/A
2	B	1A321	J-Bolt 5/16”	3
3	C	WF267L13	Washer Flat 5/16”	19
4	D	R1803	Rubber 3” x Width of Box	1
5	E	NL577L	Nut Lock 5/16”	7
6	F	BH577L13	Bolt 5/16” x 1”	4
7	G	SH577K15	Screw Self Drilling #14 x 1.5”	6
8	H	1A320	Upper Mounting Side Bracket	2
9	I	1A320-1	Lower Mounting Side Bracket	2

Installation Steps

Step 1: Check all parts by using the installation assembly parts list in this manual, and make sure all parts are with package. Look over the area where the Box should be mounted to make sure that there is enough room to mount Box.	Step 2: Remove all components from package and carefully move Box to the side rail right behind the cab where to be mounted to assure Box is mountable at that area. Slotted holes are predrilled in Box for easy mounting.
Step 3: Remove Box from mounting position and flip box over. Apply the 3” strip of rubber material on Box mounting surface as shown in Drawing A.	Step 4: Relocate Box back to mounting position on top of mounting rail. Support Box by shimming small pieces of wood between Box and truck box fender.

Step 5: Insert all three J-bolts from inside Box (as shown in drawing B). Attach a washer and lock nut to each J-bolt on inside of Rail Box.

Step 6: Align and center Box to front pickup box so that Box is about 1/8” of an inch away from trucks box front and tighten all nuts securely.

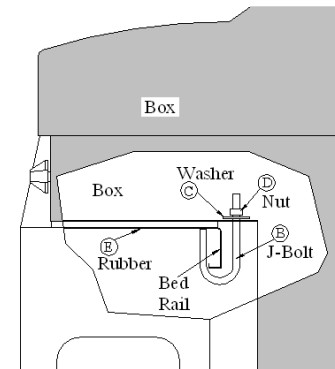
Step 7: Assemble both side mounting brackets (I) (with two bolts each) as shown in Drawing A. Hold and square brackets to mounting position and mark top holes (two each) on Side Box (two mounting brackets as required, one in front and one in the back. Front bracket can be mounted on the inside).

Step 8: Drill holes with a 3/8” bit. Install bolts (as shown in drawing A), square bracket and tighten bolts. Install the two self drilling screws on bottom of each bracket, with drill to finish installation.

Notes.

1. If your pickup truck is fitted with a plastic bed liner it may need to be trimmed, drilled or cut for proper installation of box.
2. Use touch-up paint on any drilled holes to prevent oxidation.
3. Mounting clamp bolt may be difficult to turn or tighten due to locknut feature. Apply a small amount of grease (oil) to bolt before installing for ease assembly

Drawing B:



SC 4-Wheeler Box Series.

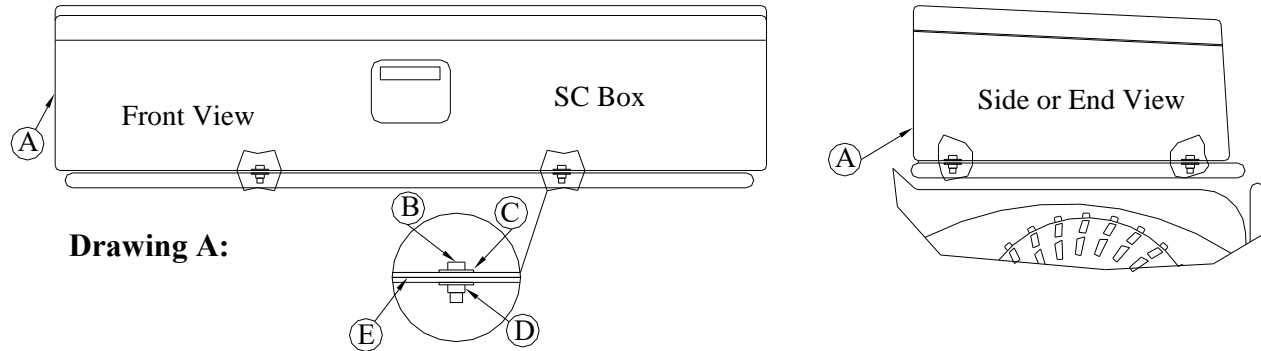
Installation Time and Tools Required

The approximate installation time is a half (1/2) Hour; this is depending on installation experience.

1. T-30 Torx Driver.
2. 7/16" Wrench
3. Tape Measure

2. Drill with 5/16" Bit

4-Wheeler Box, Installation Mounting Instructions.



Drawing A:

M3202D Installation Assembly Parts List

No.	Item No.	Part No.	Description	Qty.
1	A	SC	4-Wheeler Box	N/A
2	B	1A480	Screw Torx 1/4" x 3/4" Stainless Steel	4
3	C	WF267J13	Washer Flat 1/4" Stainless Steel	8
4	D	1A490	Nut Lock 1/4" Stainless Steel	4
5.	E	R18150	1/8" x 1.5" Rubber	2

Installation Steps

<p>Step 1: Check all parts by using the installation assembly parts list in this manual, and make sure all parts are with package.</p>	<p>Step 2: Remove all components from package. Carefully move Box on to 4-Wheeler front or back rack or at mounting area and square Box.</p> <p>Holes are not predrilled in Box.</p>
<p>Step 3: Mark all four holes and mounting rails, using a pen or marker from bottom of Box by using the predrilled mounting holes on the 4-Wheeler Rack. Remove Box and drill all four holes with 5/16" bit. Apply rubber on bottom of Box where mounting rails are marked from front to back or side to side.</p>	<p>Step 4: Relocate Box back to mounting position. Insert bolts with washers (as shown on Drawing A) through the inside of Box side and slide bolts through the Box and 4-Wheeler Rack. Place one flat washer under a lock nut on the bottom of 4-Wheeler Rack and tighten all nuts securely to complete installation.</p>

TC Chest Dog Box Series.

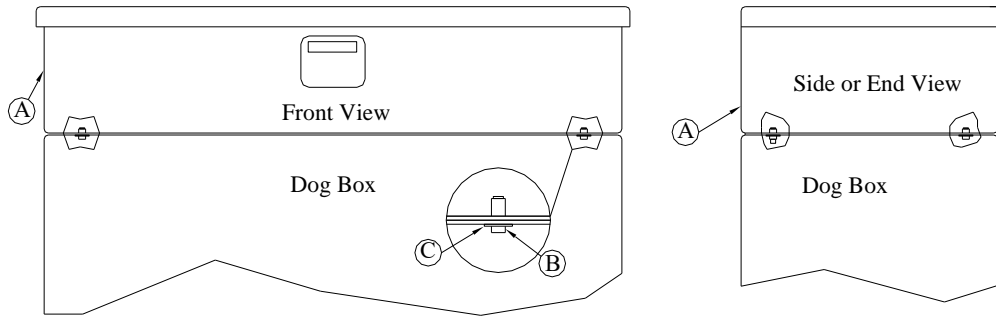
Installation Time and Tools Required

The approximate installation time is a half (1/2) Hour; this is depending on installation experience.

1. Torx T-30 river.
2. Drill with 5/16" Bit

Chest Dog Box Installation Mounting Instructions.

Drawing A:



M3200D-DB Installation Assembly Parts List

No.	Item No.	Part No.	Description	Qty.
1	A	TC31	Chest Dog Box	N/A
2	B	1A480	Screw Torx 1/4" x 1/2" Stainless Steel	4
3	C	WF214J13	Washer Flat 1/4" Stainless Steel	4
4.	D	1A490	Nylon Lock Nut 1/4"	4

Installation Steps

Step 1: Check all parts by using the installation assembly parts list in this manual, and make sure all parts are with package.

Step 2: Remove all components from package and carefully move Box on to Dog Box top and square Box.

Note: Holes are not predrilled in Dog Box.

Step 3: Mark all four holes on Dog Box by using the hole pattern on bottom of Chest Box.

Step 4: Remove Box and drill a 5/16" diameter hole at each marked point on top of Dog Box.

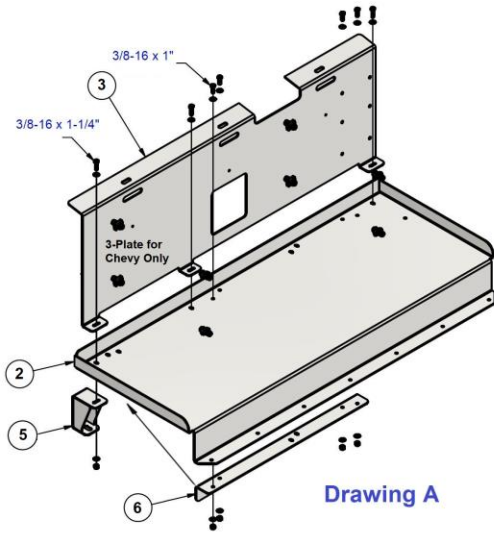
Step 5: Relocated Chest Box and install all screws with washers (as shown on Drawing A) through the inside of Dog Box and tighten all nuts securely to complete installation.

Installation Time and Tools Required

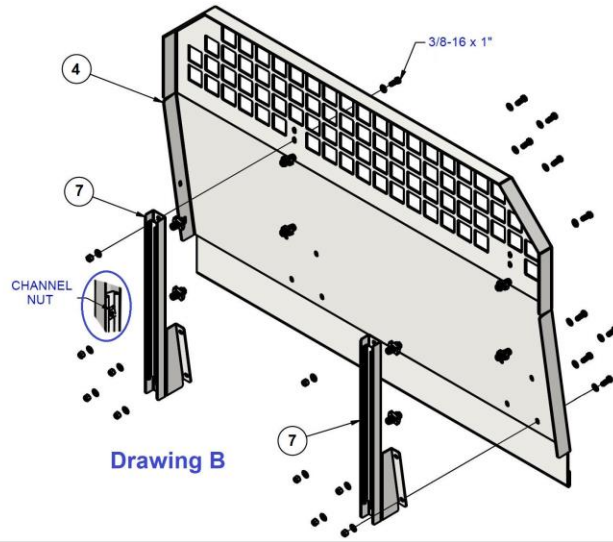
The approximate installation time is one (6.0) Hours; this is depending on installation experience.

1. 7/16" & 9/16" Ratchet Wrench.
2. 7/16" & 9/16" Wrench
3. Tape Measure
4. Drill & 1/4" & 3/8" Bit
- 5.
- 6.

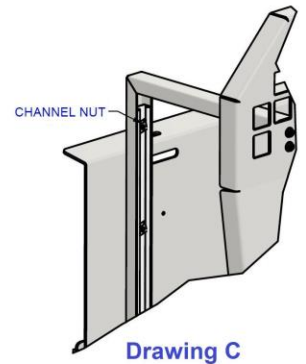
PC Pickup Cab Shelf Storage Divider Assembly Installation Mounting Instructions.



Drawing A



Drawing B

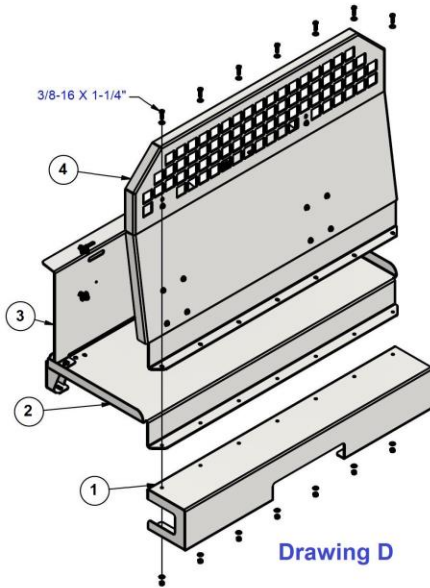


Drawing C

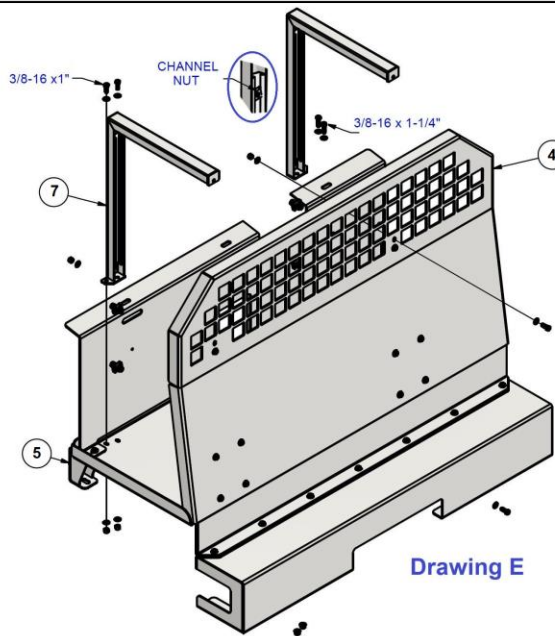
Warning and Precautions!

Never Drill Through Bottom Of Truck Cab.

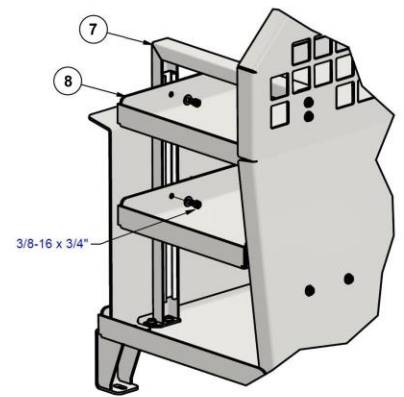
Never Weld Mounting Brackets to Truck Cab



Drawing D



Drawing E



Drawing F

M5010-A Installation Assembly Parts List

No.	Item No.	Part No.	Description	Qty.	No.	Item No.	Part No.	Description	Qty.
1	A	PC Assembly	Pickup Shelf Divider	N/A	6	F	WF858J12	Washer Flat 1/4" - Grade 8	5
2	B	BH858J11	Bolt 1/4"-20 x 1/2" - Grade 8	5	7	G	WF858N14	Washer Flat 3/8" - Grade 8	68-72
3	C	BH858N12	Bolt 3/8"-16 x 3/4" - Grade 8	4-8	8	H	NL858N	Nut Nylon 3/8" - Grade 8	32
4	D	BH858N13	Bolt 3/8"-16 x 1" - Grade 8	14	9	I	1A120-EG3/16	Edge Trip 3/16"	N/A
5	E	BH858N14	Bolt 3/8"-16 x 1-1/4" - Grade 8	18	10	J			

Installation Steps

Step 1: Check all parts by using the installation assembly parts list in this manual, and make sure all parts are with package. Look over the area where the shelf assembly should be mounted to make sure that there is enough room to mount shelf assembly.

Step 2: Remove all components from package and carefully spread-out parts to be mounted inside cab back seat. Holes are predrilled on shelf assembly.

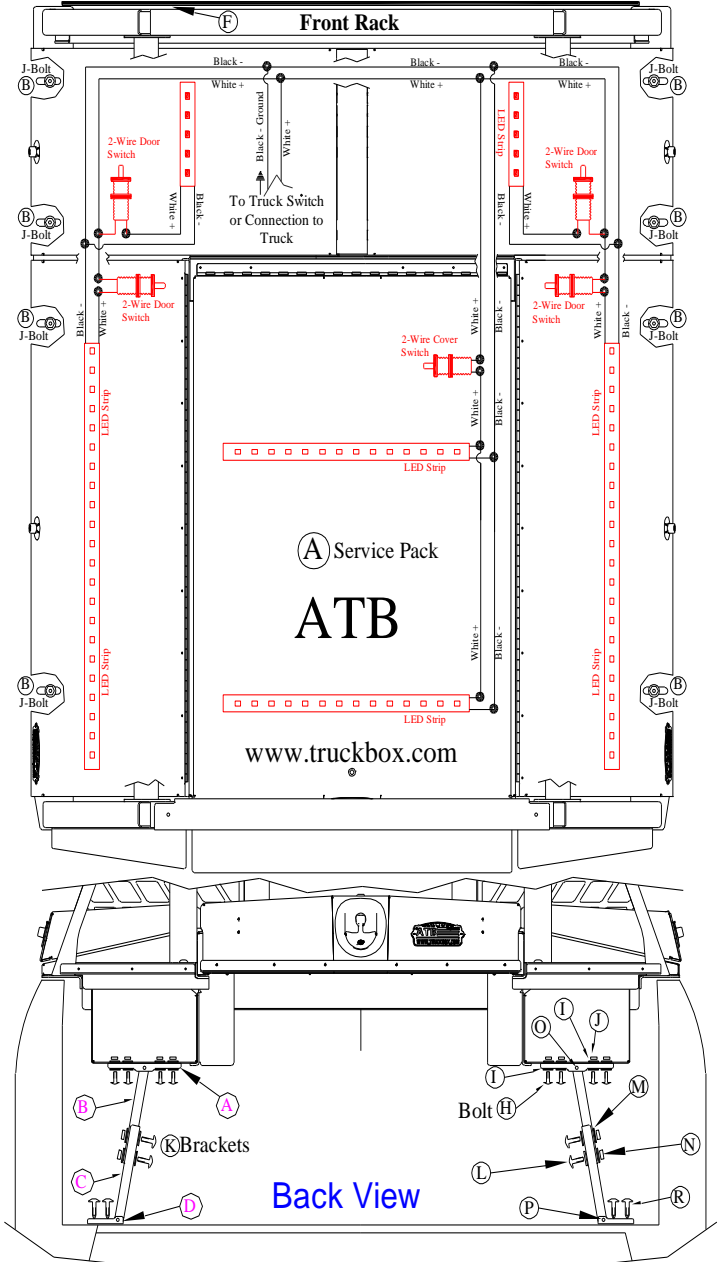
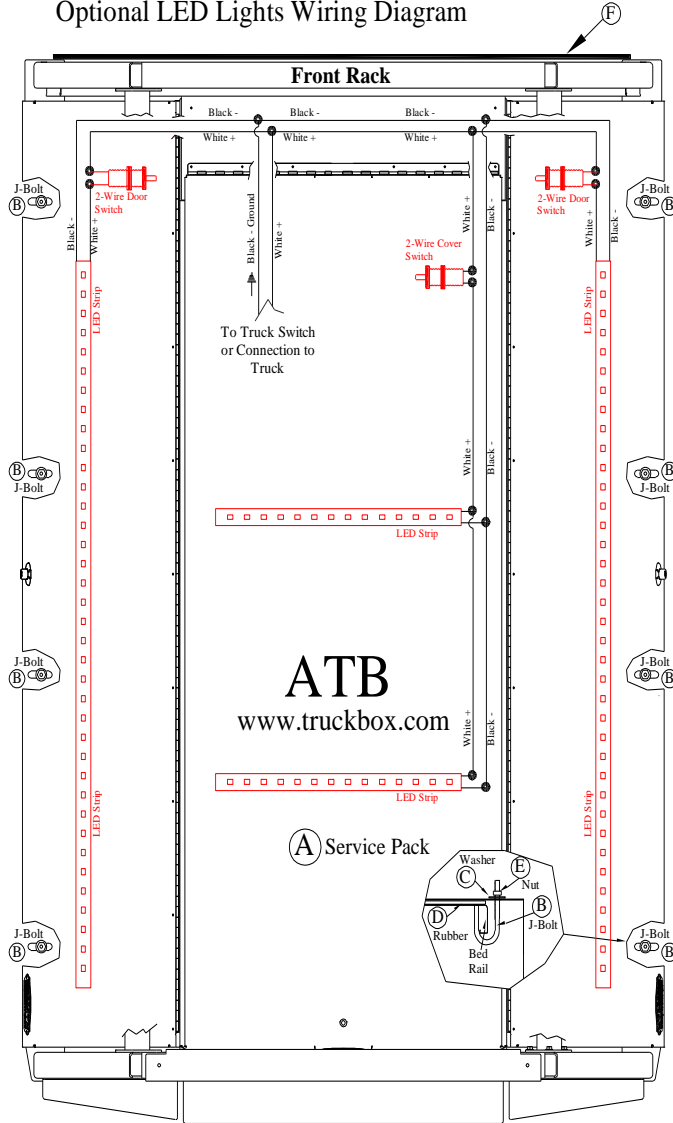
Step 3: Follow drawing A through F for assembly instructions!

SP Pickup Service-Pack For Pickup Trucks Installation Mounting Instructions.

The approximate installation time is three (3 to 6) Hours; this is depending on installation experience.

1. 7/16-9/16" Ratchet Wrenches.
2. 7/16-9/16" Wrenches
3. 1/4" - 3/8" Drills and Drivers
4. Tape Measure
5. Utility Knife

ATB SP51, SP52 and SP54 LED Service-Packs
Optional LED Lights Wiring Diagram



M3550RK Installation Assembly Parts List

No	Item No.	Part No.	Description	Qty.
1	A	A-SP	Service-Pack	N/A
2	B	1A321	J-Bolt 5/16"	8
3	C	WF267L13	Washer Flat 5/16"	40
4	D	R1803	Seal 3" x Length of Box	16
5	E	NL577L	Nut Lock 5/16"	24
6	F	1A831-125-BT	1-1/4" Weather Strip	6
7	G	1A831	5/8" Weather Strip - End-Gate	12
8	H	BH858J12	Bolt 1/4" x 3/4"	16
9	I	WF858J12	Washer Flat 1/4"	32

No	Item No.	Part No.	Description	Qty.
10	J	NL858J	Nut Lock 1/4"	16
11	K	M3550	Mounting Brackets A-B-C-D	2x4
12	L	BH858L12	Bolt 5/16" x 3/4"	4
13	M	WF858L13	Washer Flat 5/16"	8
14	N	NL858L	Nut Lock 5/16"	4
15	O	BH858N24	Bolt 3/8" x 3-3/4"	2
16	P	BH858N26	Bolt 3/8" x 4-1/4"	2
17	Q	NL858N	Nut Lock 3/8"	4
18	R	SH577K15	Screw Self Drilling #14 x 1.5"	8

Step 1: Check all parts by using the installation assembly parts list in this manual, and make sure all parts are with package. Check rail & inside of truck bed where the Service-Pack should be mounted to make sure area is clear and mount pack.

Step 3: Lift Service-Pack on truck box, close tailgate and slide service-pack back till tailgate touches weather stripping on Service-Pack. Install all J-Hooks as shown on drawings above and tighten. Install brackets K as shown on drawing Back View.

Step 2: Add seal rubber F to service pack or on truck rail. Add front large weather strip F provided; to front of pickup bed so it will butt or touch large weather strip on front of Service-Pack.

Step 4: Install weather strip G to tailgate gutter with tailgate open. Clean with rubbing alcohol so weather strip stays intact. If LED Lights are provided; the main harness will need to be connected to truck

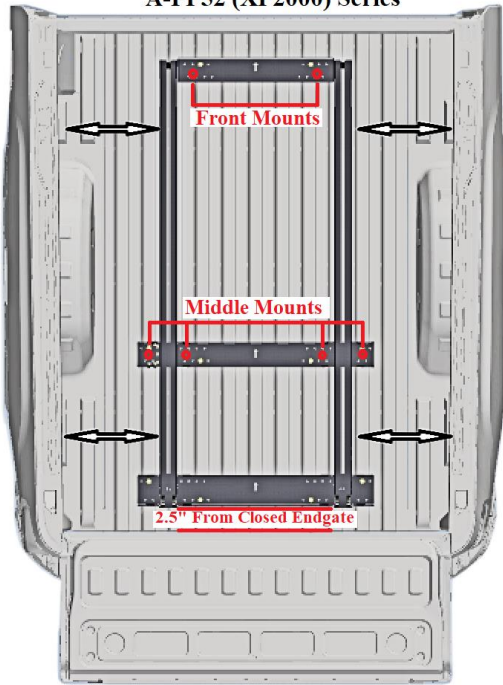
Installation Time and Tools Required

The approximate installation time is one (2.0) Hours; this is depending on installation experience. Will require 2-people or more for installation

1. 1/2" Ratchet Wrench.
2. 9/16" Wrench
3. Tape Measure & Marking Pen

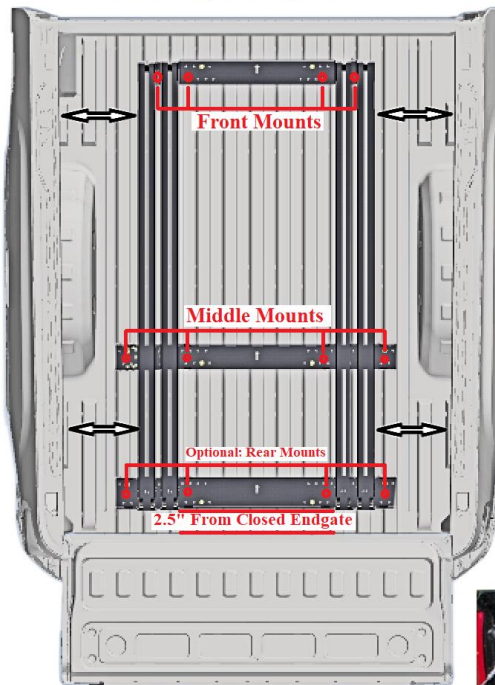
4. Drill & 1/2" & 1/4" Bit
5. Safety Glasses
- 6.

Step 2: A-PP51 (XP1200) Series
A-PP52 (XP2000) Series



Mounting Holes In Red
2 Front - 4 Middle
Rear Mounts Optional

A-PP64 (XP4000) Series



Mounting Holes In Red
4 Front - 4 Middle
Rear Mounts Optional

Step 5:



Insert and Compress Rivet Nut

Step 8: With the tray release lever pulled out tray can be removed and mounted from undercarriage. Bearings need to be lined up with cutout openings on slide tracks. This will require a two-man operation.



Pickup Platform Pull-Out Tray Assembly Installation Mounting Instructions:

M7200PP - Installation Assembly Parts List

No.	Item No.	Part No.	Description	Qty.	No.	Item No.	Part No.	Description	Qty.
1	A	PP Assembly	Platform Pull-Out Tray	N/A	4	D	WR0RBN18	Rubber Washer	8
2	B	BH858L13	Bolt 5/16"-18 x 2" - Grade 8	8	5	E	NR147L13	5/16" Rivet Nuts	8
3	C	WF858L13	Washer Flat 5/16" - Grade 8	8	6	F	NRT147L	Rivet Nut Tool	1

Installation Steps

Step 1: Check all parts by using the installation assembly parts list in this manual, and make sure all parts are included with package. Remove track slide assembly from the platform tray and place platform on truck bed where to be mounted.

Step 2: Center the track slide assembly in the truck bed and allow 2-3/4" from front frame slide track to tailgate when tailgate closed.

Step 3: Mark mounting hole position at all corners for reference. Mark mounting holes (See Step 2) using predrilled holes on platform frame holes, for rivet nut location marking, preferable on high side of corrugated ribs in truck bed.

Step 4: Move or shift track assembly forward to drill holes where marked. Inspect the marked hole location under truck bed for obstructions like wiring, fuel tank and/or electrical or fuel lines.

Step 5: Drill holes with 1/4" starter drill bit followed by a 1/2" finish drill bit. Insert Rivet nuts into 1/2" holes and crimp rivet nut using rivet nut tool till, fully compressed (Do not over compress rivet nut).

Step 6: Once rivet nuts are all crimped, move track slide assembly back to mounting position. Slide all rubber washers under track slide assembly at all bolt locations and insert all hex bolts with washers into rivet nuts. Fully tighten all bolts. (Do not overtighten).

Step 7: Place the aluminum tray assembly on the track slide assembly.

Step 8: While holding the release handle in the unlock position, push the tray forward until it drops into the slot position (slide cutout).

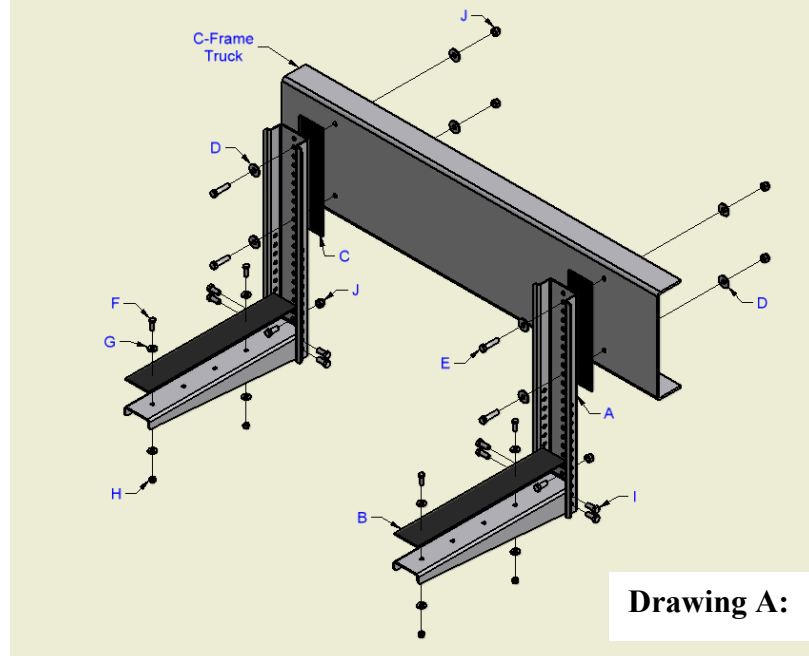
M2000C L-Shape Adjustable Series Brackets for C-Frame Application.

Installation Time and Tools Required

The approximate installation time is one and a half (1.5) Hours; this is depending on installation experience.

- | | |
|-------------------------|---------------------|
| 1. 5/8" Ratchet Wrench. | 4. Drill & 1/2" Bit |
| 2. 5/8" Wrench | 5. Utility Knife |
| 3. Tape Measure | 6. Blocks |

L-Shape Adjustable Heavy Duty Steel Mounting Brackets for C-Frame Mount Application



Drawing A:

Additional Warnings and Precautions!

1. Never Drill Top or Bottom Flange of Truck Frame or Trailer Frame.
2. Never Weld Mounting Brackets to Truck Frame or Trailer Frame.
3. Never Mount Through the Top or Back of Toolboxes.

Part Number	Material	Height x Depth	Weight Per Set	Load Rating
M2000C	Steel – 10 gauge	20 x 20	25 lbs.	125 lbs. Max

Installation Assembly & Service Parts List

No.	Item No.	Part No.	Description	Qty.
1	A	M2000	Mount Bracket Heavy Duty L-Shape 20" x 20" (2 Piece)	2
2	B	R1803*	Rubber 3" x 18"	2
3	C	R1803*	Rubber 3" x 12"	2
4	D	WF267P14	Washer Flat 7/16"	8
5	E	BH858P17	Bolt 7/16" x 2"	4
6	F	BH577L13	Bolt 5/16" x 1"	4
7	G	WF267L13	Washer Flat 5/16"	8
8	H	NL577L	Nut Lock 5/16"	4
9	I	BH858P13	Bolt 7/16" x 1"	10
10	J	NL858P	Nut Lock 7/16"	14

Installation Steps

Step 1: Check all parts by using the parts list in Drawing A, to make sure all parts are with mounting kit. Look over the area where the box should be mounted to make sure that there is enough room to mount box.

Step 2: Remove mounting brackets from the package. Assemble both mounting brackets (A) together with the bottom pieces like shown on Drawing A, by using bolts (I) and nuts (J). Carefully move brackets to the frame where to be mounted. Elevate brackets with jack or wood blocks to desired height and width where mounts should be fastened.

Note: If holes are predrilled on frame, skip step 3 and go to step 4.

Step 3: Mark the predrilled holes, patterned on the brackets to the frame where holes need to be drilled. Drill holes as far apart vertical, for each bracket as you can for the best mounting result (this will be regulated by the truck frame height). Relocate mount brackets and drill two 1/2" holes in frame per bracket. (**refer to truck O.E.M. manual for recommended frame drilling instructions**).

Step 4: Apply the 3" strip of rubber material to mounts as shown on drawing A. Cut selected holes in the rubber you just applied, with a utility knife and relocate mounting brackets to the frame.

Insert bolts with washers (as shown on Drawing A) through the bracket, from bracket side and slide bracket bolts through the frame. Place one flat washer under a lock nut on the back side of the truck frame and tighten all nuts securely to complete installation.

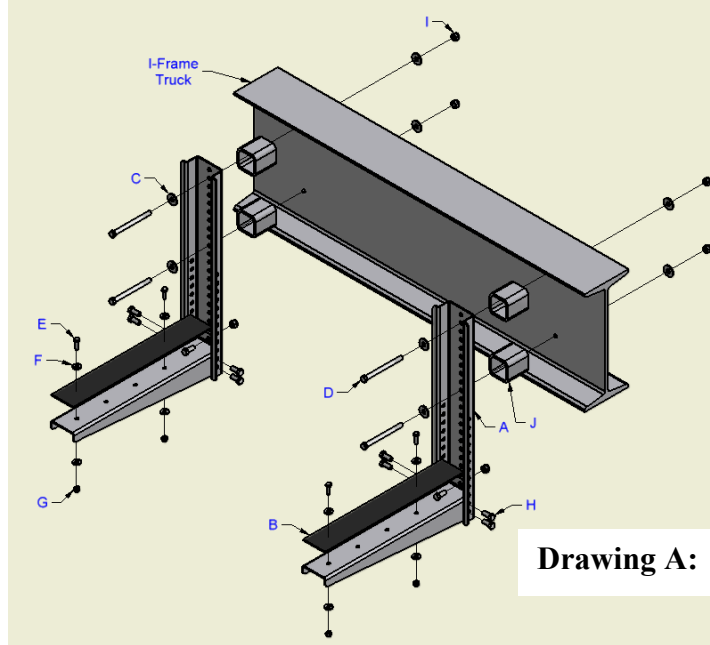
M2000I L-Shape Adjustable Series Brackets for I-Frame Application.

Installation Time and Tools Required

The approximate installation time is one and a half (1.5) Hours; this is depending on installation experience.

- | | |
|-------------------------|---------------------|
| 1. 5/8" Ratchet Wrench. | 4. Drill & 1/2" Bit |
| 2. 5/8" Wrench | 5. Utility Knife |
| 3. Tape Measure | 6. Blocks |

L-Shape Adjustable Heavy Duty Steel Mounting Brackets for I-Frame Mount Application



Drawing A:

Additional Warnings and Precautions!

1. Never Drill Top or Bottom Flange of Truck Frame or Trailer Frame.
2. Never Weld Mounting Brackets to Truck Frame or Trailer Frame.
3. Never Mount Through the Top or Back of Toolboxes.

Part Number	Material	Height x Depth	Weight Per Set	Load Rating
M2000I	Steel – 10 gauge	20 x 20	27 lbs.	125 lbs. Max

Installation Assembly & Service Parts List

No.	Item No.	Part No.	Description	Qty.
1	A	M2000	Mount Bracket Heavy Duty L-Shape 20" x 20" (2 Piece)	2
2	B	R1803*	Rubber 3" x 18"	2
3	C	WF267P14	Washer Flat 7/16"	8
4	D	BH858P29	Bolt 7/16" x 5"	4
5	E	BH577L13	Bolt 5/16" x 1"	4
6	F	WF267L13	Washer Flat 5/16"	8
7	G	NL577L	Nut Lock 5/16"	4
8	H	BH858P13	Bolt 7/16" x 1"	10
9	I	NL858P	Nut Lock 7/16"	14
10	J	MS2504	Spacer 2.5" x 3.5" Square	4

Installation Steps

Step 1: Check all parts by using the parts list in Drawing A, to make sure all parts are with mounting kit. Look over the area where the box should be mounted to make sure that there is enough room to mount box.

Step 2: Remove mounting brackets from the package. Assemble both mounting brackets (A) together with the bottom pieces like shown on Drawing A, by using bolts (I) and nuts (J). Carefully move brackets to the frame where to be mounted. Elevate brackets with jack or wood blocks to desired height and width where mounts should be fastened.

Note: If holes are predrilled on frame, skip step 3 and go to step 4.

Step 3: Mark the predrilled holes, patterned on the brackets to the frame where holes need to be drilled. Drill holes as far apart vertical, for each bracket as you can for the best mounting result (this will be regulated by the truck frame height). Relocate mount brackets and drill two 1/2" holes in frame per bracket. (refer to truck O.E.M. manual for recommended frame drilling instructions).

Step 4: Apply the 3" strip of rubber material to mounts as shown on drawing A. Cut selected holes in the rubber you just applied, with a utility knife and relocate mounting brackets to the frame.

Insert bolts with washers (as shown on Drawing A) through the bracket, from bracket side. Slide bushings on bolts (as shown in Drawing A) and slide brackets bolts through the frame. Place one flat washer under a lock nut on the back side of the truck frame and tighten all nuts securely to complete installation.

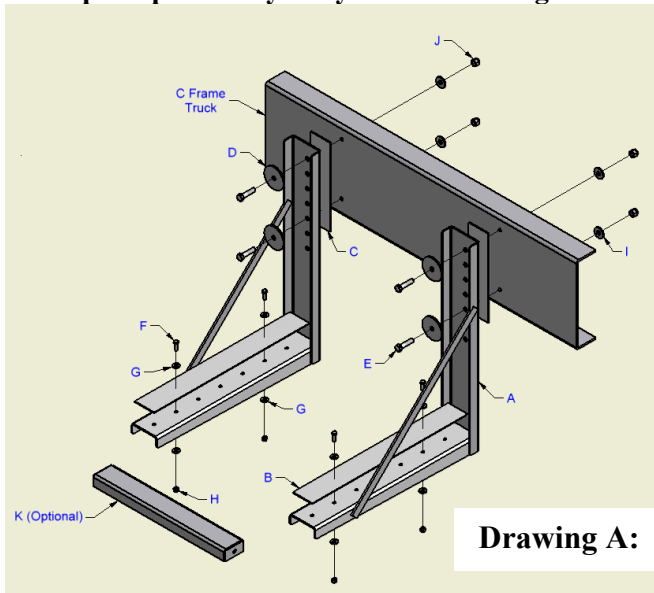
M2050 L-Shape Series Brackets for C-Frame Application.

Installation Time and Tools Required

The approximate installation time is one and a half (1.5) Hours; this is depending on installation experience.

- | | |
|-------------------------|----------------------|
| 1. 3/4" Ratchet Wrench. | 4. Drill & 9/16" Bit |
| 2. 3/4" Wrench | 5. Utility Knife |
| 3. Tape Measure | 6. Blocks |

L-Shape Super Heavy Duty Steel Mounting Brackets for C-Frame Mount Application



Drawing A:

Additional Warnings and Precautions!

1. Never Drill Top or Bottom Flange of Truck Frame or Trailer Frame.
2. Never Weld Mounting Brackets to Truck Frame or Trailer Frame.
3. Never Mount Through the Top or Back of Toolboxes.

Part Number	Material	Height x Depth	Weight Per Set	Load Rating
M2050C	Steel – 1/8 gauge	20" x 20"	28 lbs.	300 lbs. Max

M2050C Installation Assembly & Service Parts List.

No.	Item No.	Part No.	Description	Qty.
1	A	M2050	Mount Bracket Heavy Duty L-Shape 18" x 18" (Set Left/Right)	1
2	B	R1803*	Rubber 3" x 18" * This item comes in a roll and will need to be cut to length.	2
3	C	R1803*	Rubber 3" x 12" * This item comes in a roll and will need to be cut to length.	2
4	D	WF266P17	Washer Flat 7/16"	4
5	E	BH858P15	Bolt 7/16" x 1-1/2"	4
7	F	BH577L13	Bolt 5/16" x 1"	4
8	G	WF267L13	Washer Flat 5/16"	8
9	H	NL577L	Nut Lock 5/16"	4
10	I	WF267P14	Washer Flat 7/16"	4
11	J	NL858P	Nut Lock 7/16"	4
13	K	L-CB40S	Cross Beam (Optional)	N/A

Installation Steps

Step 1: Check all parts by using the parts list in Drawing A, to make sure all parts are with mounting kit. Look over the area where the box should be mounted to make sure that there is enough room to mount box.

Step 2: Remove mounting brackets from the package and carefully move to the frame where to be mounted. Elevate brackets with jack or wood blocks to desired height and width where mounts should be fastened.

Note: If holes are predrilled on frame, skip step 3 and go to step 4.

Step 3: Mark the predrilled holes, patterned on the brackets to the frame where holes need to be drilled. Drill holes as far apart vertical, for each bracket as you can for the best mounting result (this will be regulated by the truck frame height). Relocate mount brackets and drill two 9/16" holes in frame per bracket. (**refer to truck O.E.M. manual for recommended frame drilling instructions**).

Step 4: Apply the 3" strip of rubber material to mounts as shown on drawing A. Cut selected holes in the rubber you just applied with a utility knife and relocate mounting brackets to the frame.

Insert bolts with washers (as shown on Drawing A) from bracket side (use big heavy washer), through the mounting bracket and then through the frame. Place one flat washer under a lock nut on the back side of the truck frame and tighten all nuts securely to complete installation.

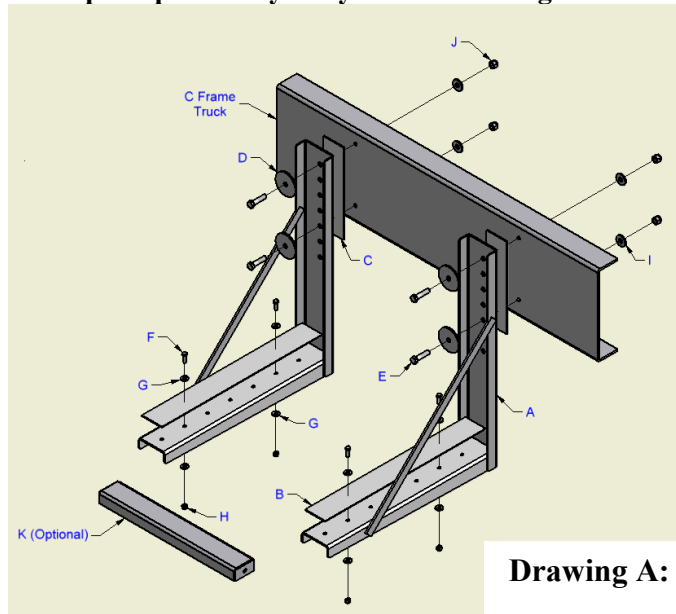
M2100C L-Shape Series Brackets for C-Frame Application.

Installation Time and Tools Required

The approximate installation time is one and a half (1.5) Hours; this is depending on installation experience.

- | | |
|-------------------------|----------------------|
| 1. 3/4" Ratchet Wrench. | 4. Drill & 9/16" Bit |
| 2. 3/4" Wrench | 5. Utility Knife |
| 3. Tape Measure | 6. Blocks |

L-Shape Super Heavy Duty Steel Mounting Brackets for C-Frame Mount Application



Drawing A:

Additional Warnings and Precautions!

1. Never Drill Top or Bottom Flange of Truck Frame or Trailer Frame.
2. Never Weld Mounting Brackets to Truck Frame or Trailer Frame.
3. Never Mount Through the Top or Back of Toolboxes.

Part Number	Material	Height x Depth	Weight Per Set	Load Rating
M2100C	Steel - 3/16 gauge	28" x 25"	42 lbs.	500 lbs. Max
M2101C	Steel - 1/4 gauge	28" x 25"	54 lbs.	700 lbs. Max
M2102C	Steel - 1/4 gauge	36" x 34"	72 lbs.	700 lbs. Max
M2110C	Aluminum - 1/4 gauge	28" x 25"	22 lbs.	500 lbs. Max

Installation Assembly & Service Parts List.

No.	Item No.	Part No.	Description	Qty.
1	A	M2100	Mount Bracket Heavy Duty L-Shape 28" x 24" (Set Left/Right)	1
2	B	R1803*	Rubber 3" x 24" * This item comes in a roll and will need to be cut to length	2
3	C	R1803*	Rubber 3" x 12" * This item comes in a roll and will need to be cut to length	2
4	D	WF266R21	Washer Flat 1/2" x 3" Heavy Duty	4
5	E	BH858R17	Bolt 1/2" x 2"	4
7	F	BH577L13	Bolt 5/16" x 1"	4
8	G	WF267L13	Washer Flat 5/16"	8
9	H	NL577L	Nut Lock 5/16"	4
10	I	WF267R15	Washer Flat 1/2"	4
11	J	NL858R	Nut Lock 1/2"	4
13	K	L-CB40S	Cross Beam 3" x 1.5" x 40.25" (Optional)	0

Installation Steps

Step 1: Check all parts by using the parts list in Drawing A, to make sure all parts are with mounting kit. Look over the area where the box should be mounted to make sure that there is enough room to mount box.

Step 2: Remove mounting brackets from the package and carefully move to the frame where to be mounted. Elevate brackets with jack or wood blocks to desired height and width where mounts should be fastened.

Note: If holes are predrilled on frame, skip step 3 and go to step 4.

Step 3: Mark the predrilled holes, patterned on the brackets to the frame where holes need to be drilled. Drill holes as far apart vertical, for each bracket as you can for the best mounting result (this will be regulated by the truck frame height). Relocate mount brackets and drill two 9/16" holes in frame per bracket. **(refer to truck O.E.M. manual for recommended frame drilling instructions).**

Step 4: Apply the 3" strip of rubber material to mounts as shown on drawing A. Cut selected holes in the rubber you just applied with a utility knife and relocate mounting brackets to the frame.

Insert bolts with washers (as shown on Drawing A) from bracket side (use big heavy washer), through the mounting bracket and then through the frame. Place one flat washer under a lock nut on the back side of the truck frame and tighten all nuts securely to complete installation.

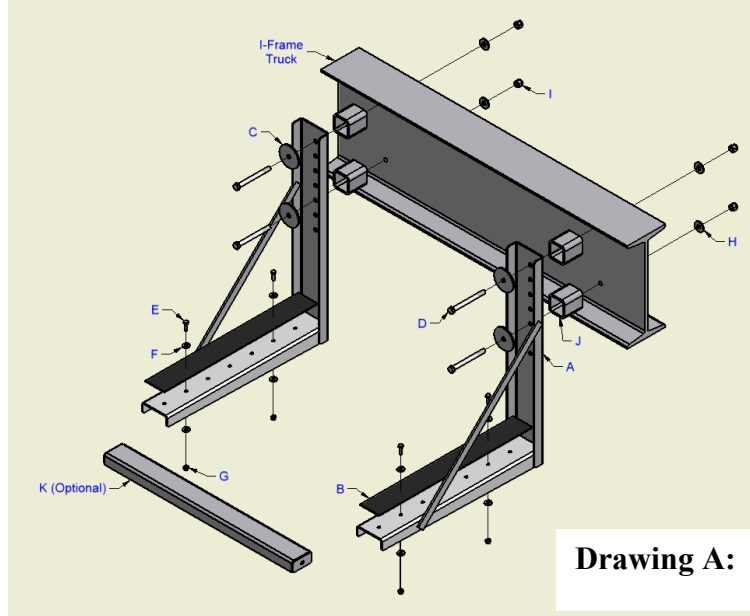
M2100I L-Shape Series Brackets for I-Frame Application.

Installation Time and Tools Required

The approximate installation time is one and a half (1.5) Hours; this is depending on installation experience.

- | | |
|-------------------------|----------------------|
| 1. 3/4" Ratchet Wrench. | 4. Drill & 9/16" Bit |
| 2. 3/4" Wrench | 5. Utility Knife |
| 3. Tape Measure | 6. Blocks |

L-Shape Super Heavy Duty Steel Mounting Brackets for I-Frame Mount Application



Drawing A:

Additional Warnings and Precautions!

1. Never Drill Top or Bottom Flange of Truck Frame or Trailer Frame.
2. Never Weld Mounting Brackets to Truck Frame or Trailer Frame.
3. Never Mount Through the Top or Back of Toolboxes.

Part Number	Material	Height x Depth	Weight Per Set	Load Rating
M2100I	Steel - 3/16 gauge	28" x 25"	44 lbs.	500 lbs. Max
M2101I	Steel - 1/4 gauge	28" x 25"	56 lbs.	700 lbs. Max
M2102I	Steel - 1/4 gauge	36" x 34"	74 lbs.	700 lbs. Max
M2110I	Aluminum - 1/4 gauge	28" x 25"	24 lbs.	500 lbs. Max

Installation Assembly & Service Parts List

No.	Item No.	Part No.	Description	Qty.
1	A	M2100	Mount Bracket Heavy Duty L-Shape 28" x 24" (Set Left/Right)	1
2	B	R1803*	Rubber 3" x 24" This item comes in a roll and will need to be cut to length	2
3	C	WF266R21	Washer Flat 1/2" x 3" Heavy Duty	4
4	D	BH858R29	Bolt 1/2" x 5"	4
5	E	BH577L13	Bolt 5/16" x 1"	4
7	F	WF267L13	Washer Flat 5/16"	8
8	G	NL577L	Nut Lock 5/16"	4
9	H	WF267R15	Washer Flat 1/2"	4
10	I	NL858R	Nut Lock 1/2"	4
11	J	MS2504	Spacer 2.5" x 3.5" Square	4
13	K	L-CB40S	Cross Beam 3" x 1.5" x 40.25" (Optional)	0

Installation Steps

Step 1: Check all parts by using the parts list in Drawing A, to make sure all parts are with mounting kit. Look over the area where the box should be mounted to make sure that there is enough room to mount box.

Step 2: Remove mounting brackets from the package and carefully move to the frame where to be mounted. Elevate brackets with jack or wood blocks to desired height and width where mounts should be fastened.

Note: If holes are predrilled on frame, skip step 3 and go to step 4.

Step 3: Mark the predrilled holes, patterned on the brackets to the frame where holes need to be drilled. Drill holes as far apart vertical, for each bracket as you can for the best mounting result (this will be regulated by the truck frame height). Relocate mount brackets and drill two 9/16" holes in frame per bracket. (**refer to truck O.E.M. manual for recommended frame drilling instructions**).

Step 4: Apply the 3" strip of rubber material to mounts as shown on drawing A. Cut selected holes in the rubber you just applied with a utility knife and relocate mounting brackets to the frame.

Insert bolts with washers (as shown on Drawing A) from bracket side (use big heavy washer), through the mounting bracket and then through the frame. Slide bushings on bolts (as shown in Drawing A) and slide brackets bolts through the frame. Place one flat washer under a lock nut on the back side of the truck frame and tighten all nuts securely to complete installation.

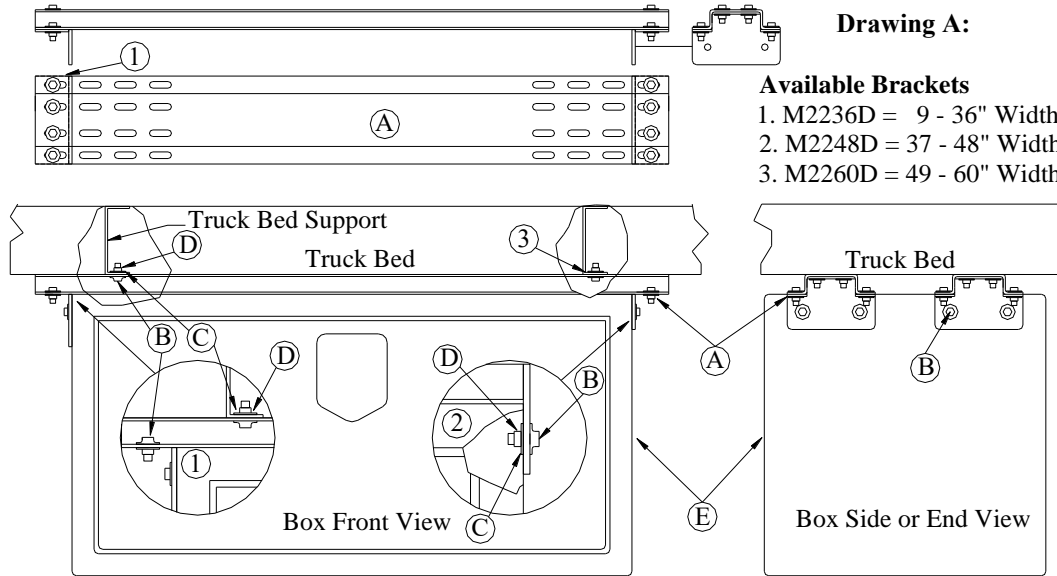
M2200D Top Mount Adjustable Series Bracket for Top Mount Application.

Installation Time and Tools Required

The approximate installation time is one and a half (1.5) Hours; this is depending on installation experience.

- | | |
|-----------------------|---------------------|
| 1. ½" Ratchet Wrench. | 4. Drill & 3/8" Bit |
| 2. ½" Wrench | 5. Two Clamps |
| 3. Tape Measure | 6. Blocks |

Top Mount Adjustable Heavy Duty Steel Mounting Brackets for Top Mount Application



Additional Warnings and Precautions!

- Never Drill Top or Bottom Flange of Truck Frame or Trailer Frame.
- Never Weld Mounting Brackets to Truck Frame or Trailer Frame.
- Never Mount Through the Top or Back of Toolboxes.

M2200 Series, Bed Mount Adjustable Mounting Kit

Part Number	Material	Height x Depth	Weight Per Set	Load Rating
M2236D	Steel – 10 gauge	2-7/8 x 5-3/4	28 lbs.	300 lbs.
M2248D	Steel – 10 gauge	2-7/8 x 5-3/4	36 lbs.	300 lbs.
M2260D	Steel – 10 gauge	2-7/8 x 5-3/4	44 lbs.	300 lbs.
M2272D	Steel – 10 gauge	2-7/8 x 5-3/4	54 lbs.	300 lbs.

Installation Assembly & Service Parts List.

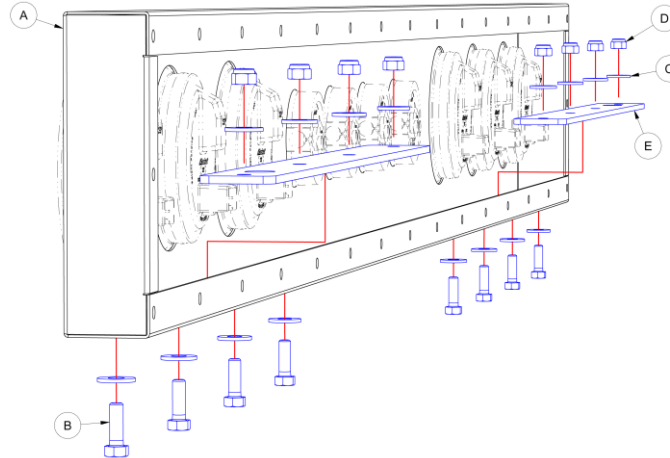
No.	Item No.	Part No.	Description	Qty.
1	A	M2236/48/60	Mount Bracket Heavy Duty Top Mount (3 Piece)	2
2	B	BR577L13	Bolt 5/16" x 1" Serrated	32
3	C	WF267L13	Washer Flat 5/16"	32
4	D	NL858L	Nut Lock 5/16"	32
5	E	Box	Box	N/A

Installation Steps

<p>Step 1: Check all parts by using the parts list in Drawing A, to make sure all parts are with mounting kit. Look over the area where the bracket or box should be mounted to make sure that there is enough room to mount brackets or box.</p>	<p>Step 2: Remove mounting brackets from the package. Assemble both mounting brackets (A) together with the end pieces (1) like shown on Drawing A, by using bolts (G), Washers (C) and locknuts (D). Adjust mount ends to correct box width to correct adjustment for bracket to be mounted to deck and tighten bolts. Carefully move brackets to deck where to be mounted. Secure brackets to deck with two clamps to hold brackets in place.</p>
<p>Step 3: Mark the predrilled holes, patterned on the brackets to the deck channel supports where holes need to be drilled. Mark holes as far too both ends of brackets as possible, for best mounting result (this will be regulated by the deck support channels). Relocate mount brackets and drill four 3/8" holes in deck support channels per bracket (refer to truck O.E.M. manual for recommended frame drilling instructions).</p>	<p>Step 4: Relocate mounting brackets back to the mounting area. Insert bolts with washers (as shown on Drawing A (1)) through the bracket, from bracket side and slide bolts through the deck supports. Place one flat washer under a lock nut on the back side of the deck support and tighten all nuts securely to complete installation of mounting bracket.</p>
<p>Step 5: Move Box to mounting brackets and center box under mounting brackets. Use blocks or a lift device to hold box in place at mounting brackets. Mark all eight holes using mounting brackets predrilled holes. Allow box to drop down so holes can be drilled.</p>	<p>Step 6: Drill all eight holes with 3/8" bit on Box and relocate Box back to Mounting position. Insert bolts with washers (as shown on Drawing A (2)) through the bracket, from bracket side and slide bolts through the Box. Place one flat washer under a lock nut on the inside of Box and tighten all nuts securely to complete installation of Box.</p>

LB Series - Light Bar - Installation Mounting Instructions.

Diagram A:



SS-LB4L Installation Assembly Parts List

No.	Item No.	Part No.	Description	Qty.
1	A	LB4L	Light Bar	N/A
2	B	BH858L13	5/16" x 1" Hex Bolt (Grade 8)	4
3	C	WH858L	5/16" Washer (Grade 8)	8
4	D	NL858R	5/16" Nylon Lock Nut (Grade 8)	4
5	E	SSLB-SS-14	125" Inside Spacers	2

Additional Warnings and Precautions!

1. Never Drill Top or Bottom Flange of Truck Frame or Trailer Frame.
2. Never Weld Mounting Brackets to Truck Frame or Trailer Frame.

Reflector or Reflection decals are optional.

Installation Steps

Step 1: Check all parts by using the installation assembly parts list in this manual, and make sure all parts are with package. Look over the area where the Light Bar should be mounted to make sure that there is enough room to mount Light Bar.

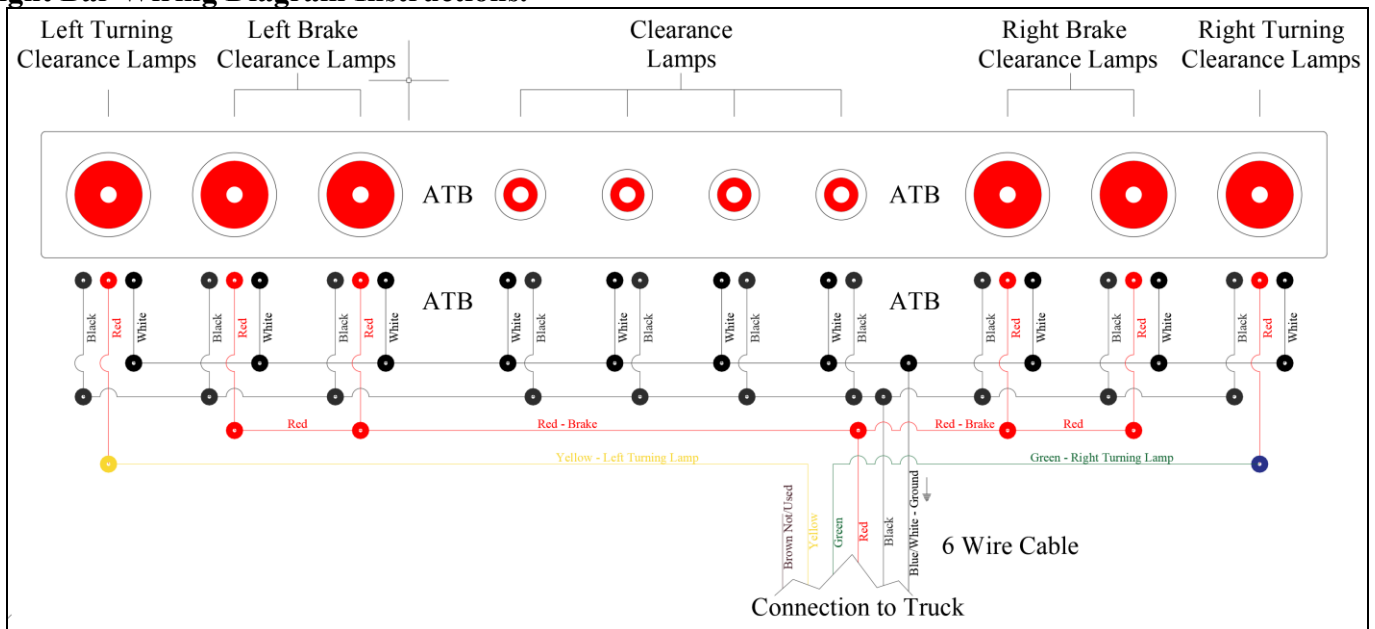
Step 3: Mark the predrilled holes patterned on the surface or box where holes need to be drilled. Remove Light Bar and drill four 3/8" diameter holes at each mark on the surface or box.

Step 2: Remove all components from package and carefully move Light Bar to the surface or box where to be mounted, to assure Light Bar is mountable at that area. Holes are predrilled on Light Bar for easy mounting.

Step 4: Relocate Light Bar to the frame. Insert bolts with washers, through the holes (as shown on Drawing A). Add spacers and place one flat washer under a lock nut and tighten all nuts securely to complete installation.

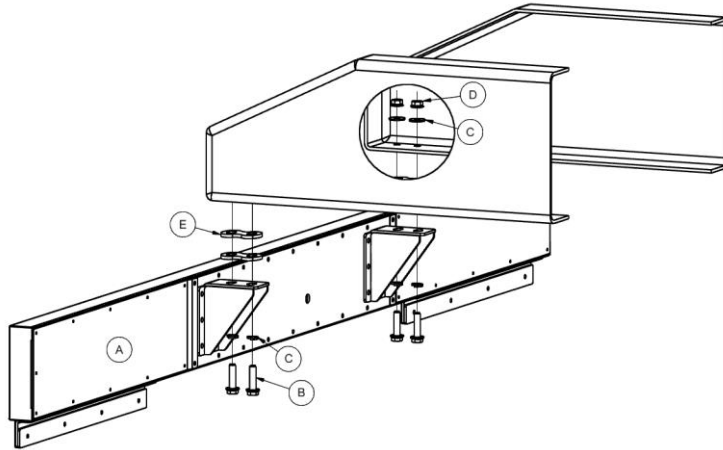
Note: Check and tighten bolts periodically.

Light Bar Wiring Diagram Instructions.



BB Series - Bumpers Light Bar - Installation Mounting Instructions.

Diagram A:



SS-BB4L Installation Assembly Parts List

No.	Item No.	Part No.	Description	Qty.
1	A	BB4L	Bumper	N/A
2	B	BH858R17	1/2" x 2" Hex Bolt (Grade 8)	4
3	C	WF858R	1/2" Lock Washer (Grade 8)	4
4	D	NL858R	1/2" Nylon Lock Nut (Grade 8)	8
5	E	SSLB-AS-14	1/4" Aluminum Spacers	4

Additional Warnings and Precautions!

1. Never Drill Top or Bottom Flange of Truck Frame or Trailer Frame.
2. Never Weld Mounting Brackets to Truck Frame or Trailer Frame.
3. Never Mount Through the Top or Back of Toolboxes.

Reflector or Reflection decals and License Plate Holder are optional.

Installation Steps

Step 1: Check all parts by using the installation assembly parts list in this manual, and make sure all parts are with package. Look over the area where the Bumper should be mounted to make sure that there is enough room to mount box.

Step 3: If hole pattern does not match, mark the predrilled holes patterned on the Truck Frame where holes need to be drilled. Remove Bumper and drill four 1/2" diameter holes at each mark on the frame (refer to truck O.E.M. shop manual for recommended frame drilling instructions).

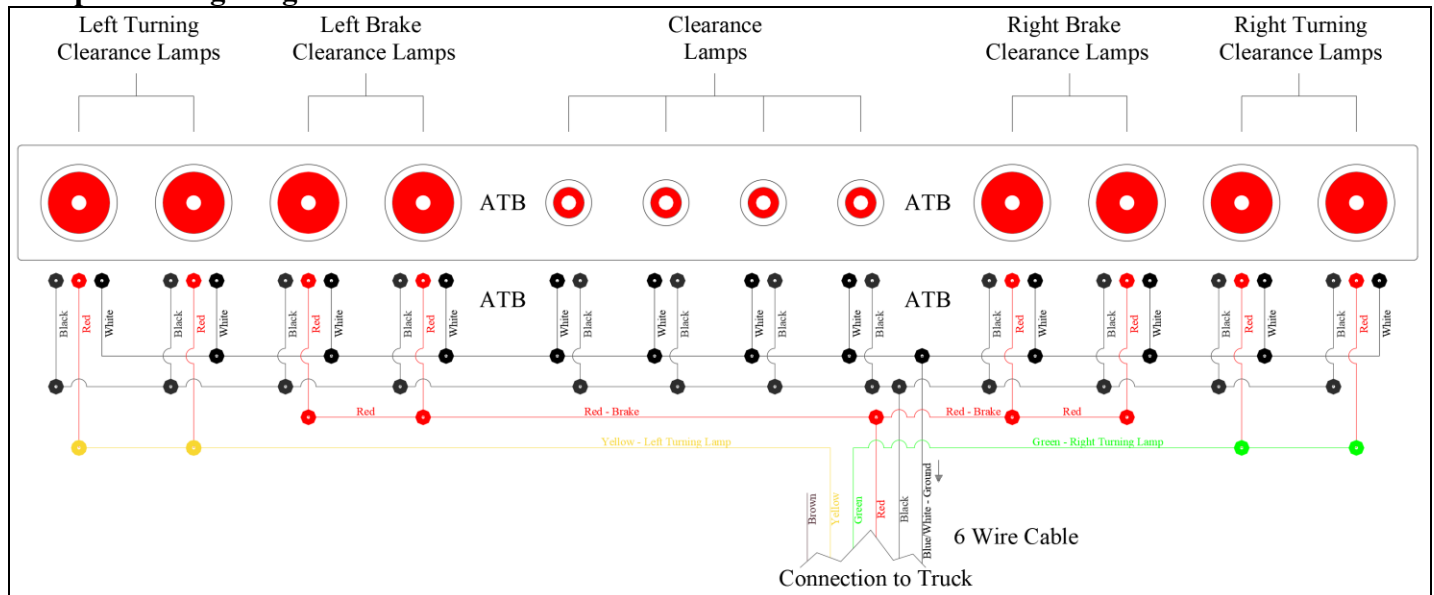
Step 2: Remove all components from package and carefully move Bumper to the frame where to be mounted, to assure Bumper is mountable at that area. Holes are predrilled on Bumper for easy mounting, but hole pattern may vary on truck.

Step 4: Relocate Bumper to the frame. Insert Bolts with washers, through the holes (as shown on Drawing A). Add spacers and place one flat washer under a lock nut and tighten all nuts securely to complete installation.

Note: Check and tighten bolts periodically.

Note. If spacing is required due to truck frame design, place an aluminum spacer between bumper mount and truck frame as shown on diagram above.

Bumper Wiring Diagram Instructions.



Special Notice

This manual contains drawings and written material, which are for the sole purpose of mounting and providing guidelines for installing our boxes and/or equipment in various configurations. Keep in mind that these are only intended as guidelines and not to be construed as construction drawings or specifications.

America Truckboxes, LLC shall not be responsible in any way for anything other than the providing of equipment and materials ordered. Guidelines shown in this manual may not meet or be in accordance with local, state, or federal regulations in effect at time of installation.

American Truckboxes, LLC has the right to make changes in design at any time without notice.

Office Hours

Monday through Friday - 8:00am to 11:45am and 1:00pm to 5:00pm

American Truckboxes, LLC.

15750 6th Street SE, Blanchard, ND 58009

Phone: (888) 996-0376

Email: sales@truckbox.com

AMERICAN TRUCKBOXES, LLC. - LIMITED WARRANTY

This LIMITED WARRANTY is made by American Truckboxes, LLC, 15750 6th Street SE, Blanchard, North Dakota 58009 to the original retail purchaser of American Truckboxes, LLC products. If you have any questions or need assistance regarding this warranty and the warranty of your product, please call our customer service department at: (888) 996-0376, between the hours 8:00AM to 5:00PM CST. This warranty applies to all product purchased on or after January 1, 2019.

AMERICAN TRUCKBOXES, LLC WARRANTS THAT THIS PRODUCT WILL BE FREE FROM DEFECTS IN MATERIAL AND WORKMANSHIP FOR A PERIOD OF SIXTY (60) MONTHS ON STANDARD BOXES, TWELVE (12) MONTHS ON CUSTOM BOXES (MODIFIED OR SPECIAL DESIGN TO CUSTOMER SPECIFICATIONS) AND TWELVE (12) MONTHS ON AUXILIARY TANKS, FROM DATE OF PURCHASE BY THE ORIGINAL RETAIL PURCHASER ONLY. THIS WARRANTY TERMINATES IF THE ORIGINAL PURCHASER TRANSFERS THE AMERICAN TRUCKBOXES, LLC PRODUCT TO ANY OTHER PERSON.

If purchaser discovers that the product fails to fulfill the warranty before the warranty period, original purchaser must promptly contact American Truckboxes, LLC in writing of the nonconformity, to make arrangement for an inspection of this product. A copy of the original sales receipt must be supplied to the manufacturer at the time a warranty claim is made. If American Truckboxes, LLC determines a defect exists, American Truckboxes, LLC shall, at its option and expense, repair or replace any defective parts. All warranty repairs shall be made by an authorized American Truckboxes, LLC product dealer or American Truckboxes LLC approved service man. Any part or parts of the goods not manufactured by American Truckboxes LLC are not warranted for any purpose.

This warranty shall not apply or expressly exclude, if the American Truckboxes, LLC product has been subject to an accident, normal wear and tear, cosmetic rust, scratches, unlawful vehicle operation, act of God, improper maintenance, misuse or alteration made by anyone other than American Truckboxes, LLC or a product dealer of American Truckboxes, LLC approved service personal or company. Defects resulting from conditions beyond the manufacturer control, but not limited to, overloading, misuse or failure to assemble or mount the product according to the manufacturer's installation guideline, written instructions or damage to the contents of the box or vehicle.

Purchaser must deliver written notice of any claimed defect or failure covered by this Limited Warranty within thirty (30) days after discovery. Such notice must specify the date of purchase as well as the nature of the defect or failure.

THE WARRANTY PRINTED ABOVE IS THE ONLY WARRANTY TO THIS PURCHASE. ALL OTHER WARRANTIES, EXPRESS OR IMPLIED, INCLUDING BUT NOT LIMITED TO THE IMPLIED WARRANTIES OF MERCHANTABILITY AND FITNESS FOR A PARTICULAR PURPOSE ARE HEREBY DISCLAIMED.