

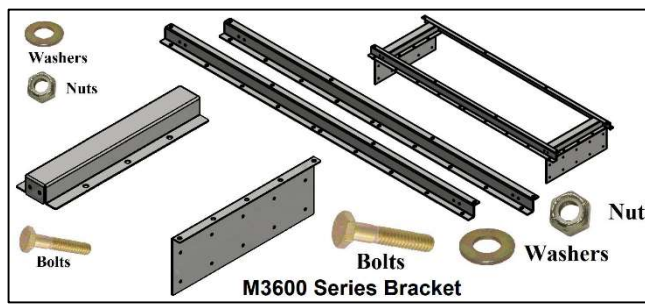
M3200 Series = Top & Deck Mount Application

Top deck mount brackets are used for mounting boxes to a deck or flat surface. All ATB mounting kits are designed and built to keep your boxes safe and secure.

Description

- Fasteners and Rubber
- Requires drilling on box and mounting surface

No.	Part Number	Box Series	Bolt Size	Weight Per Set	Load Rating
1.	M3200D	SG - SR	5/16"	2 lbs.	Bolt-N/A
2.	M3200D-DU2	DU41-DU42	5/16"	4 lbs.	Bolt-N/A
3.	M3200D-DU3	DU41-DU42	5/16"	6 lbs.	Bolt-N/A
4.	M3250A-6	AF-SF-GB	5/16"	4 lbs.	Bolt-N/A
5.	M36-1836D	SG - SR	5/16"	10 lbs.	Bolt-250
6.	M36-1848D	SG - SR	5/16"	24 lbs.	Bolt-250
7.	M36-2436D	SG - SR	5/16"	24 lbs.	Bolt-250
8.	M36-2448D	SG - SR	5/16"	28 lbs.	Bolt-250



M3400 Series = Frame Mount Application.

Frame mount brackets are used to mount boxes to frame on truck. All ATB mounting kits are designed and built to keep your boxes safe and secure.

Description

- Steel construction
- Zinc epoxy primer with MR powder baked topcoat finish
- U-Bolt system requires no drilling to frame

No.	Part Number	Description/Box	Bolt Size	Weight Per Set	Load Rating
1.	M3450C	4=U-Bolts, Washer – Nuts - Rubber - 3-5/8"CC x 14-1/4" ID	5/8"	12 lbs.	U-Bolt-N/A
2.	M3452C	4=U-Bolts, Washer – Nuts - Rubber - Plates 3-5/8"CC x 14-1/4" ID	5/8"	18 lbs.	U-Bolt-N/A
3.	M3454C	CP Boxes - U-Bolt Mount Kit W/Springs 4-1/4"CC x 15-3/8" ID - CP Boxes	5/8"	28 lbs.	U-Bolt-NA
4.	M3460C	CP Boxes - U-Bolt Mount Kit 4-1/4"CC x 15-3/8" ID - CP Boxes (Ford F350-F450-F550 2017 Plus)	3/8" 5/8"	20 lbs.	U-Bolt-NA
5.	M3460-250-52B	CP Cross-Pack Mounting Adapter Brackets (Ford F350-F450-F550 2017 Plus)	3/8" 5/8"	55 lbs.	Bracket N/A

