

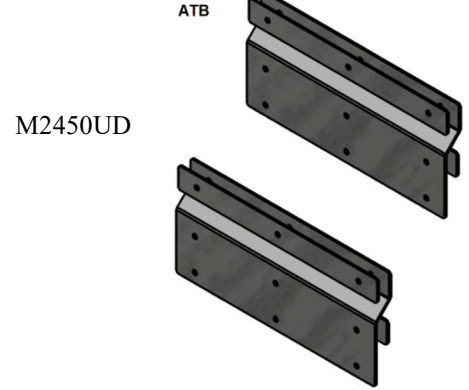
**M2450D Series = Aluminum Underbody Top Mount Application**

Adjustable under deck top mount brackets are heavy duty, and mounted to box and under van cross beam applications. All AMERICAN TRUCKBOXES mounting kits are designed and built to keep your boxes safe and secure. (See Mounting Kit Installation Sheet for more information)

**Description**

- An engineered .190 (7g) Aluminum construction
- Predrilled holes adjustable for easy mounting

No.	Part Number	Application	Height Width	Weight Per Set	Load Rating
1.	M2450UD-6-18B	Under Deck	6"x 15.5"	13 lbs.	250 lbs. Max
2.	M2450UD-6-20B	Under Deck	6"x 17.5"	14 lbs.	250 lbs. Max
3.	M2450UD-6-22B	Under Deck	6"x 19.5"	15 lbs.	250 lbs. Max
4.	M2450UD-6-24B	Under Deck	6"x 21.5"	16 lbs.	250 lbs. Max
5.	M2450UD-12-18B	Under Deck	12"x 15.5"	20 lbs.	250 lbs. Max
6.	M2450UD-12-20B	Under Deck	12"x 17.5"	12 lbs.	250 lbs. Max
7.	M2450UD-12-22B	Under Deck	12"x 19.5"	24 lbs.	250 lbs. Max
8.	M2450UD-12-24B	Under Deck	12"x 21.5"	26 lbs.	250 lbs. Max



M2450UD

**M2600UD Series = Under Deck Top Mount Application**

Adjustable under deck top mount brackets are heavy duty, and mounted to box and under van cross beam applications. All AMERICAN TRUCKBOXES mounting kits are designed and built to keep your boxes safe and secure. (See Mounting Kit Installation Sheet for more information)

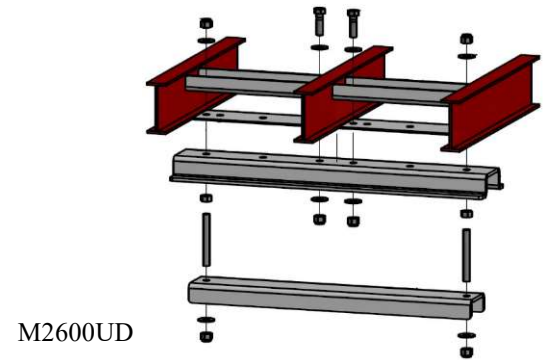
**Description**

- An engineered .25 (1/4g) Aluminum construction
- Predrilled holes adjustable for easy mounting

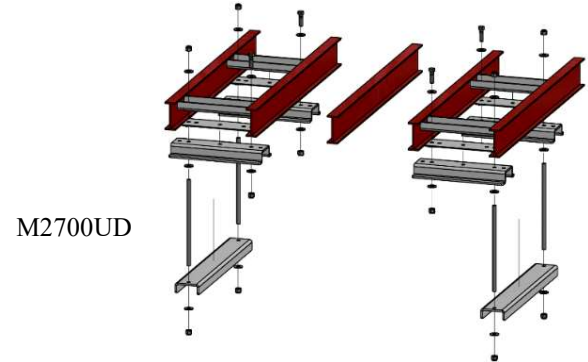
No.	Part Number	hxw	Application	Height Depth	Weight Per Each	Load Rating Each
1.	M2600UD-2424-1S		Under Deck	N/A	16 lbs.	250 lbs. Max
2.	M2600UD-2424-2S		Under Deck	N/A	32 lbs.	350 lbs. Max
3.	M2600UD-2430-1S		Under Deck	N/A	21 lbs.	250 lbs. Max
4.	M2600UD-2430-2S		Under Deck	N/A	42 lbs.	350 lbs. Max
5.	M2600UD-2436-1S		Under Deck	N/A	24 lbs.	250 lbs. Max
6.	M2600UD-2436-2S		Under Deck	N/A	48 lbs.	350 lbs. Max
7.	M2600UD-2440-1S		Under Deck	N/A	28 lbs.	250 lbs. Max
8.	M2600UD-2440-2S		Under Deck	N/A	56 lbs.	350 lbs. Max
9.	M2600UD-2448-1S		Under Deck	N/A	34 lbs.	250 lbs. Max
10.	M2600UD-2448-2S		Under Deck	N/A	68 lbs.	350 lbs. Max

Note: For None Adjustable Brackets use M2650UD Series Brackets.

D						
1.	M2700UD-24-2-S		Under Deck	N/A	12 lbs.	350 lbs. Max
2.	M2700UD-24-3-S		Under Deck	N/A	36 lbs.	550 lbs. Max



M2600UD



M2700UD

**M6000I Series = I-Beam Under Trailer Mount Application**

I-beam under trailer mount brackets are heavy duty, and mounted to the I-Beams under trailer with cross beams. All AMERICAN TRUCKBOXES mounting kits are designed and built to keep your boxes safe and secure. (See Mounting Kit Installation Sheet for more information)

**Description**

- An engineered .25 (1/4g) steel construction and powder coated
- Predrilled holes for easy mounting

No.	Part Number	Tank Series	Bolt Size	Spring	Tank Gallons
1.	M6000I-24-24-2B	Under I-Beam	24x24	280 lbs.	500 lbs. Max
2.	M6000I-24-24-3B	Under I-Beam	24x24	460 lbs.	1000 lbs. Max

