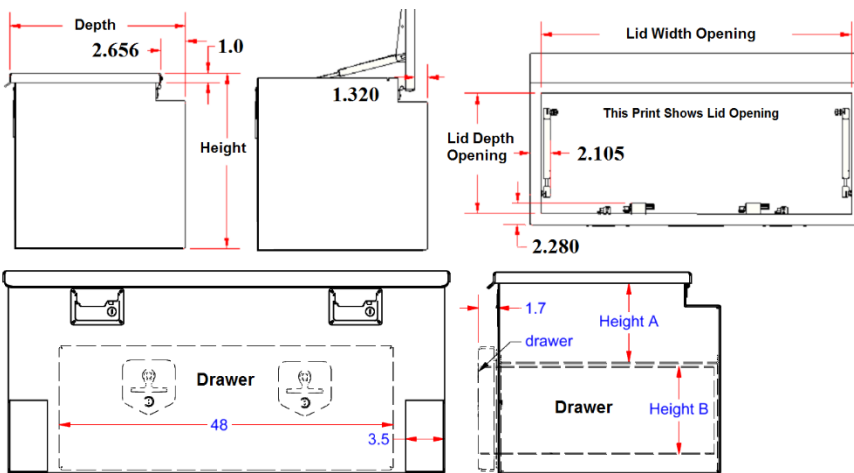


## TC – Top-Chest Drawer Boxes - Aluminum & Steel - Single Top Open Inset Lid

Top-chest boxes are heavy duty and offer easy access to your equipment. Boxes can be mounted on truck box, flatbed or trailer. These boxes are perfect for storing your equipment, tools and personal gear. Chest boxes are available in different sizes, and can be ordered custom size. All AMERICAN TRUCKBOXES boxes are designed and built to keep your equipment safe and secure.

### Description

- An engineered aluminum or steel construction
- Fully seam welded on all seams and corners
- Stainless steel continuous hinge on full length of lid
- Gas springs to “pop” and keep lid open.
- Channel braced reinforced lid
- Zinc epoxy primer with MR powder baked topcoat finish
- Lockable and linked stainless steel latch from either end
- Adjustable lock striker for positive weather seal
- Automotive type weather seal
- Side carrying handles
- Automotive style latch with smooth rotary action
- Heavy duty drawer
- Mounting kit included - M3200D



**Note:** Toolboxes less than 48 inches wide come standard with one lock only; however, we can make configuration changes if specified.

No.	Model Number	Material	Height (in.)	Depth (in.)	Width (in.)	Lid Opening Width (in.)	Lid Opening Depth (in.)	Drawer	Fender Notched	Weight (lb.)
1.	A-TC41B-182058S-T1	.090Sm/.100TP	18	20	58	54-5/8	14-5/8	Yes-53"	No	86
2.	A-TC41B-202258S-T1	.090Sm/.100TP	20	22	58	54-5/8	16-5/8	Yes-53"	No	101
3.	A-TC41B-N182058S-T1	.090Sm/.100TP	18	20	58	54-5/8	14-5/8	Yes-43"	Yes	82
4.	A-TC41B-N202258S-T1	.090Sm/.100TP	20	22	58	54-5/8	16-5/8	Yes-43"	Yes	96
5.	A-TC51B-182058S-T1	.125Sm/.100TP	18	20	58	54-5/8	14-5/8	Yes-53"	No	91
6.	A-TC51B-202258S-T1	.125Sm/.100TP	20	22	58	54-5/8	16-5/8	Yes-53"	No	110
7.	A-TC51B-N182058S-T1	.125Sm/.100TP	18	20	58	54-5/8	14-5/8	Yes-43"	Yes	90
8.	A-TC51B-N202258S-T1	.125Sm/.100TP	20	22	58	54-5/8	16-5/8	Yes-43"	Yes	106

**Note:** \*Boxes are available in: Black (XB) and White (XW) Finish – add after part number.