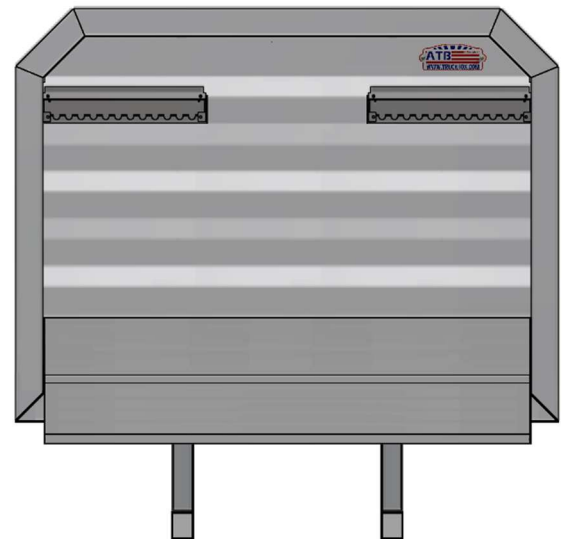
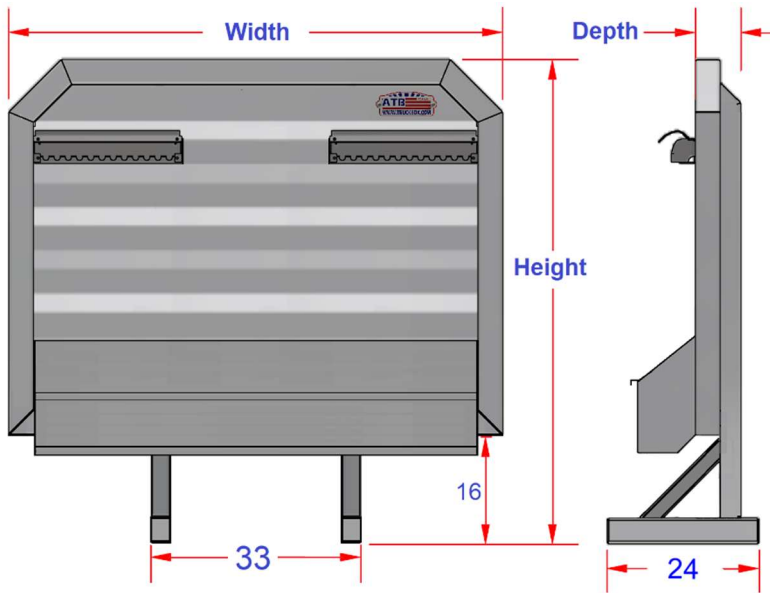


CR – Chain Rack - Aluminum

Chain racks are super heavy duty and offer easy amounting on back of a truck. Racks can be mounted on top of truck frame with U-bolts mounting kit. These racks are designed for storing your chains and binders. Rack boxes are available in different sizes and can be ordered custom size. All AMERICAN TRUCKBOXES boxes are designed and built to keep your equipment safe and secure.

Description

- An engineered aluminum construction
- Fully seam welded on all seams and corners
- Square beam base mount for extra strength
- Ribbed aluminum center plate for extra strength
- Outside formed tube for extra durability
- I-Beam gusseted on base for extra strength
- Chain hangers and chain basket as standard
- Available with SX-Beam or optional Flush Mount System
- Optional LED lighting Light Bar
- Mounting kit not included - M3400I



No.	Model Number	Material	Height (in.)	Depth (in.)	Width (in.)	Chain Hanger	Window	Chain Tray	Weight (lb.)
1.	A-CR61-68770-TI	.190 Smooth/.125 TP	68	7	70	None	No	No	122
2.	A-CR61-68776-TI	.190 Smooth/.125 TP	68	7	76	None	No	No	133
3.	A-CR61-68780-TI	.190 Smooth/.125 TP	68	7	80	None	No	No	138
4.	A-CR61-68786-TI	.190 Smooth/.125 TP	68	7	86	None	No	No	146
5.	A-CR61-68770-TIF	.190 Smooth/.125 TP	68	7	70	Yes-2	No	Yes-Full	162
6.	A-CR61-68776-TIF	.190 Smooth/.125 TP	68	7	76	Yes-2	No	Yes-Full	172
7.	A-CR61-68780-TIF	.190 Smooth/.125 TP	68	7	80	Yes-2	No	Yes-Full	176
8.	A-CR61-68786-TIF	.190 Smooth/.125 TP	68	7	86	Yes-2	No	Yes-Full	182
9.	A-CR61-68770-TIK	.190 Smooth/.125 TP	68	7	70	Yes-2	No	Yes-Split	152
10.	A-CR61-68776-TIK	.190 Smooth/.125 TP	68	7	76	Yes-2	No	Yes-Split	162
11.	A-CR61-68780-TIK	.190 Smooth/.125 TP	68	7	80	Yes-2	No	Yes-Split	165
12.	A-CR61-68786-TIK	.190 Smooth/.125 TP	68	7	86	Yes-2	No	Yes-Split	170

Note: These racks are not a SAFETY DEVICE and will NOT PREVENT SERIOUS INJURY or DEATH from cargo shifting forward or from a result of an accident or improper securements.