

CON-8006

Conduit Carrier-12'

Dimensional Specifications on Pages 2-4

Configuration as shown:

US Gen1, US Gen4, AluRack

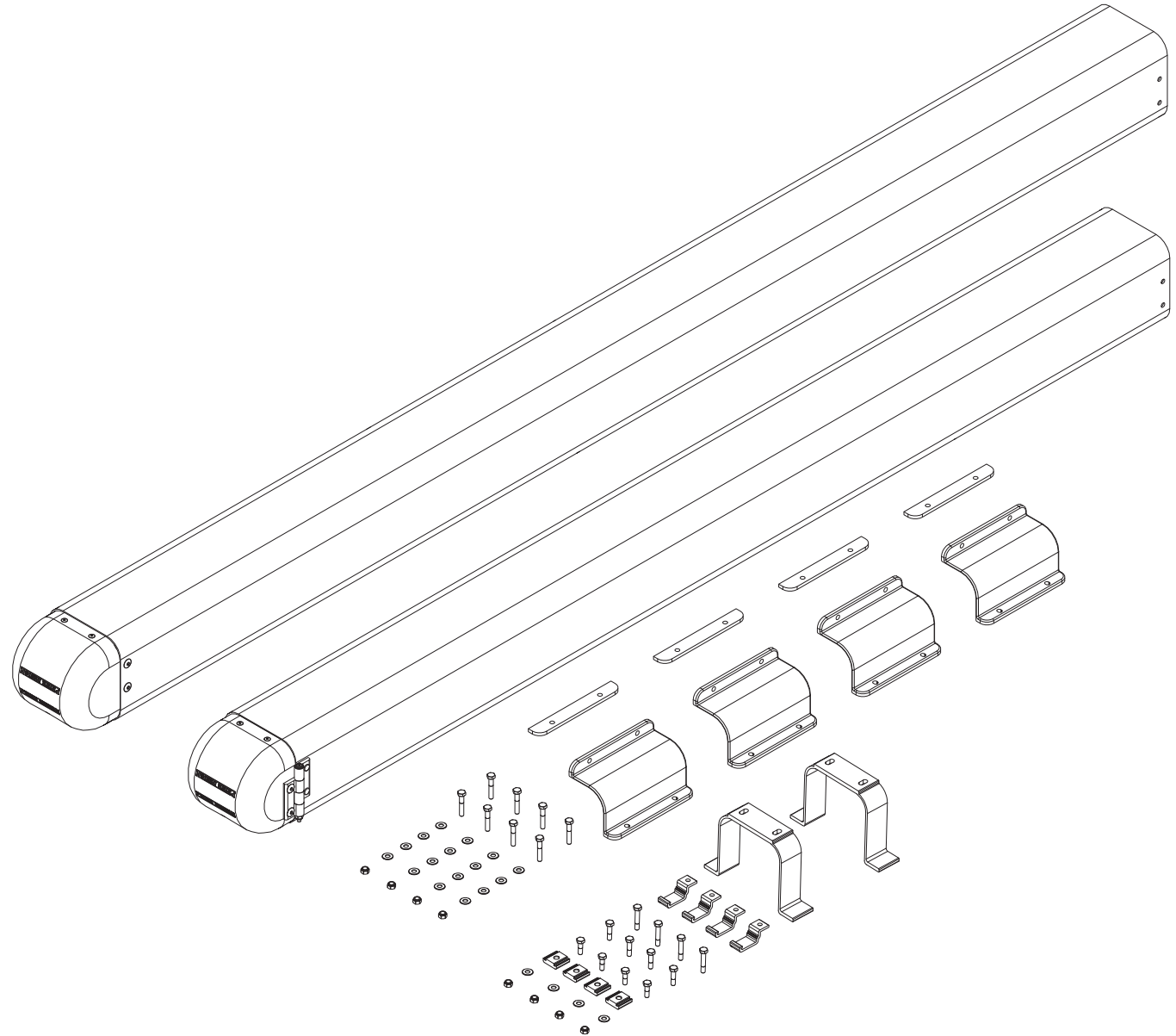
Finish: White Powder Coat

Consolidated Hardware Kit: CON-8505

Conduit Splice Assembly: ACC-8103

Accessory Weight (empty): 41.50 lbs

*CONSOLIDATED MOUNTING BRACKET KIT INCLUDED



*Note: Includes Consolidated Mounting Bracket Kit to install onto Gen1, Gen4, and AluRack models

CON-8006

Conduit Carrier – 12'

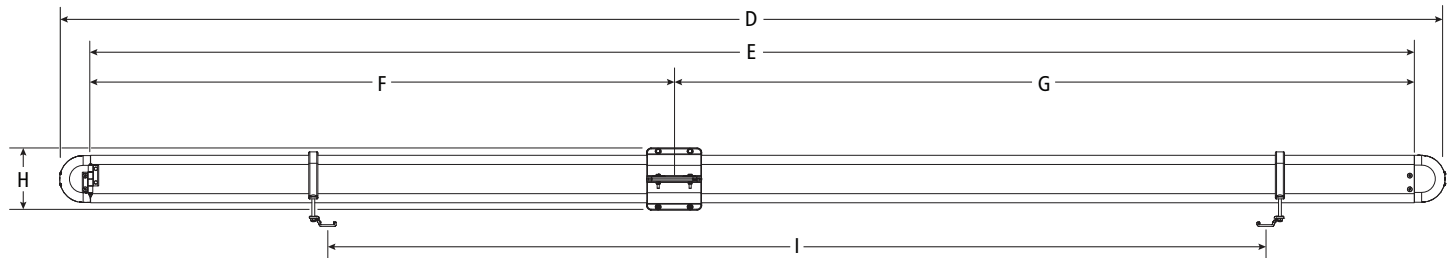
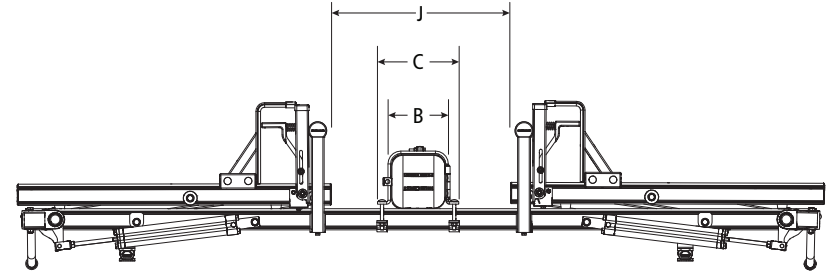
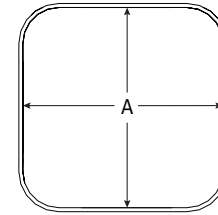
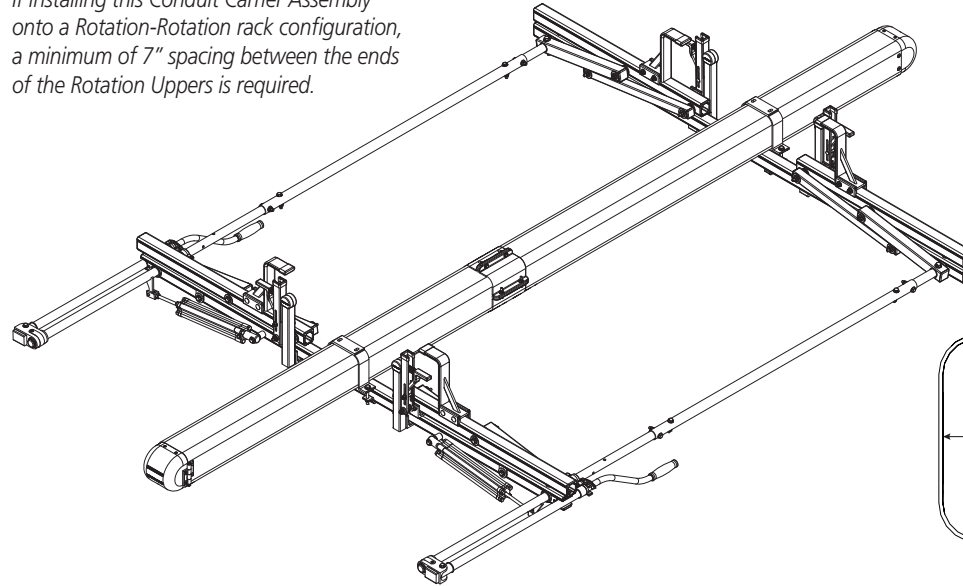
Shown mounted onto Gen 4 (Ford Transit Van) Rack for illustrative purposes only

Approximate dimensions as shown:

- A: Conduit Carrier Inside Width/Height 5"
- B: Conduit Carrier Outside Width 5.25"
- C: Conduit Carrier Total Width 8"
- D: Conduit Carrier Total Length 153.75"
- E: Conduit Carrier Usable Length 147"
- F: Front Conduit Splice Usable Length 64"
- G: Rear Conduit Splice Usable Length 83"
- H: Conduit Carrier Height 5"
- I: Mounting Bracket Maximum Width 8'
- J: Minimum Required Space 9"



If installing this Conduit Carrier Assembly onto a Rotation-Rotation rack configuration, a minimum of 7" spacing between the ends of the Rotation Uppers is required.



*Note: Includes Consolidated Mounting Bracket Kit to install onto Gen1, Gen4, and AluRack models

*CONSOLIDATED MOUNTING BRACKET KIT INCLUDED

CON-8006

Conduit Carrier-12'

Shown mounted onto Gen1 (GM Van) Rack for illustrative purposes only

Approximate dimensions as shown:

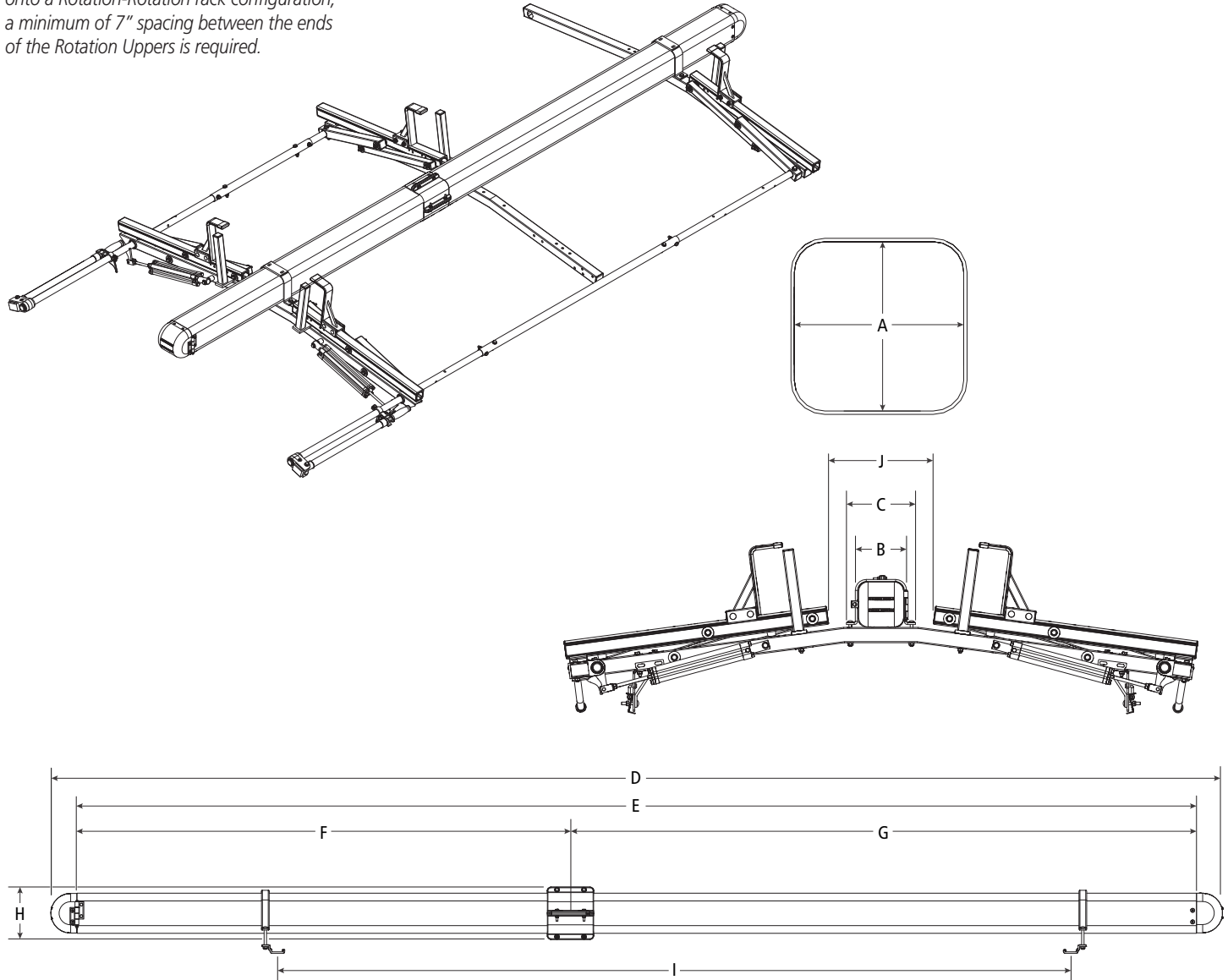
- A: Conduit Carrier Inside Width/Height 5"
- B: Conduit Carrier Outside Width 5.25"
- C: Conduit Carrier Total Width 8"
- D: Conduit Carrier Total Length 153.75"
- E: Conduit Carrier Usable Length 147"
- F: Front Conduit Splice Usable Length 64"
- G: Rear Conduit Splice Usable Length 83"
- H: Conduit Carrier Height 5"
- I: Mounting Bracket Maximum Width 8"
- j: Minimum Required Space 9"

Note: Includes Consolidated Mounting Bracket Kit to install onto Gen1, Gen4, and AluRack models



If installing this Conduit Carrier Assembly onto a Rotation-Rotation rack configuration, a minimum of 7" spacing between the ends of the Rotation Uppers is required.

*CONSOLIDATED MOUNTING BRACKET KIT INCLUDED



CON-8006

Conduit Carrier – 12'

Shown mounted onto AluRack for illustrative purposes only

Approximate dimensions as shown:

- A: Conduit Carrier Inside Width/Height 5"
- B: Conduit Carrier Outside Width 5.25"
- C: Conduit Carrier Total Width 8"
- D: Conduit Carrier Total Length 153.75"
- E: Conduit Carrier Usable Length 147"
- F: Front Conduit Splice Usable Length 64"
- G: Rear Conduit Splice Usable Length 83"
- H: Conduit Carrier Height 5"
- I: Mounting Bracket Maximum Width 8'
- J: Minimum Required Space N/A



If installing this Conduit Carrier Assembly onto a Rotation-Rotation rack configuration, a minimum of 7" spacing between the ends of the Rotation Uppers is required.

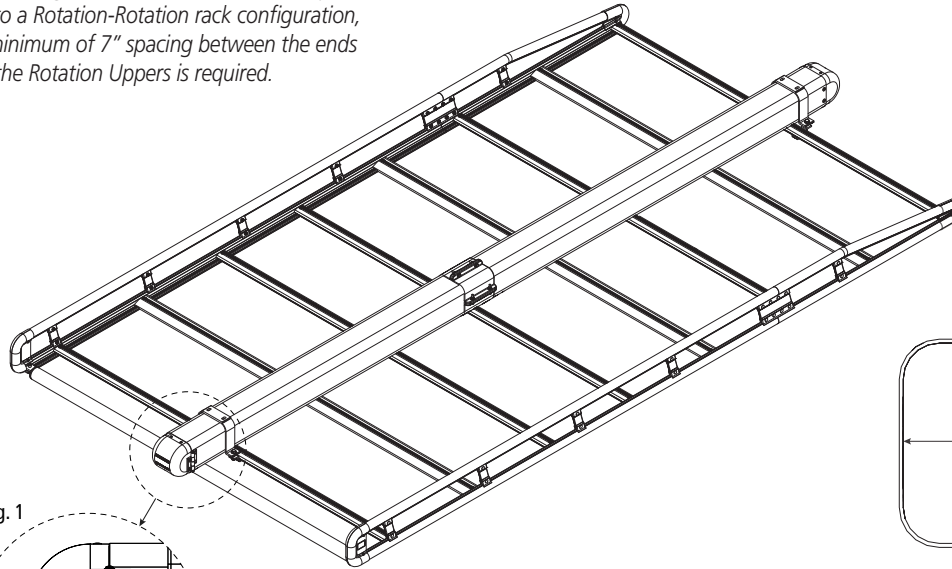
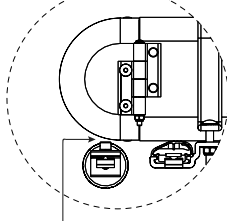
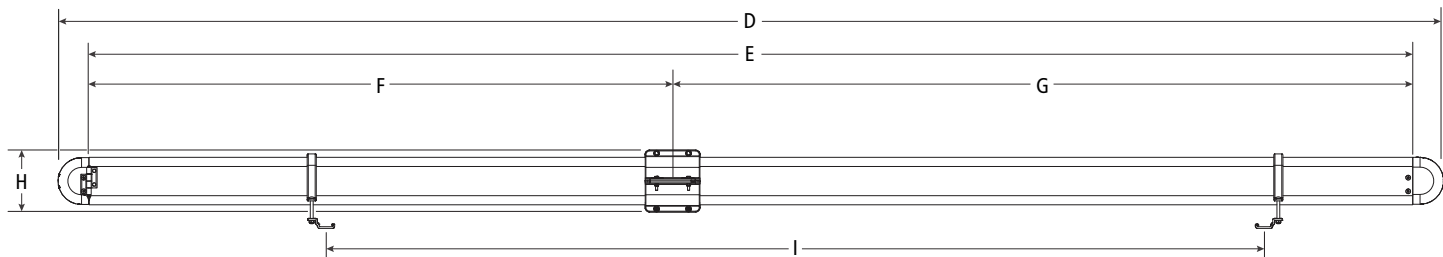
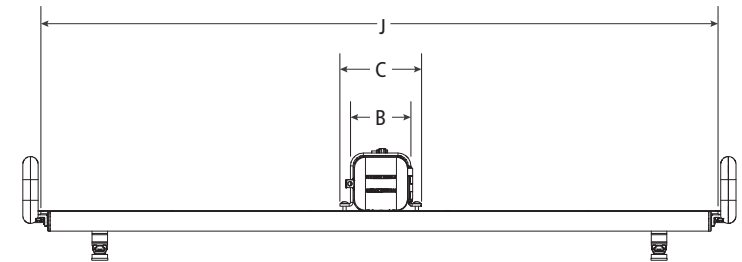
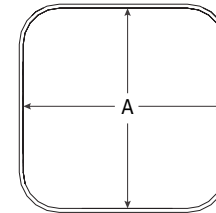


Fig. 1



Allow no contact



*Note: Includes Consolidated Mounting Bracket Kit to install onto Gen1, Gen4, and AluRack models

Assembly Manual also available:

CON-8006

USOV-CON8006-US01 Rev-B 0119

*CONSOLIDATED MOUNTING BRACKET KIT INCLUDED

CON-8006

Conduit Carrier-12'

Shown mounted onto Low Profile Rack for illustrative purposes only

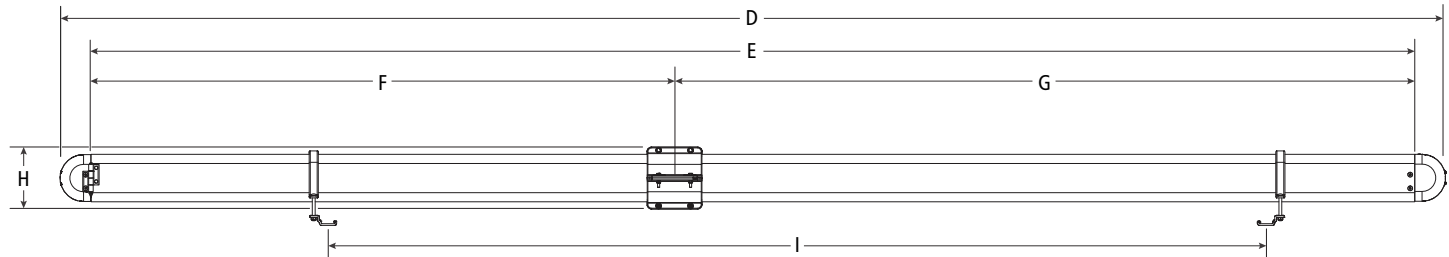
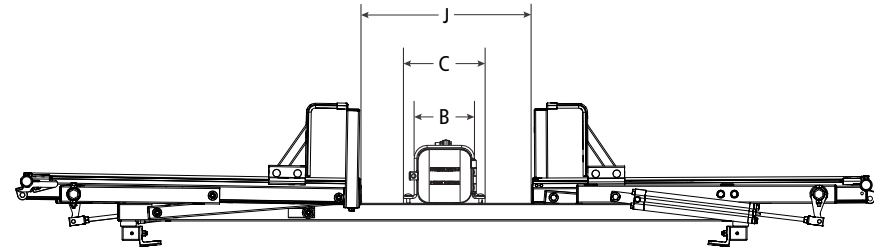
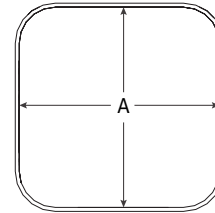
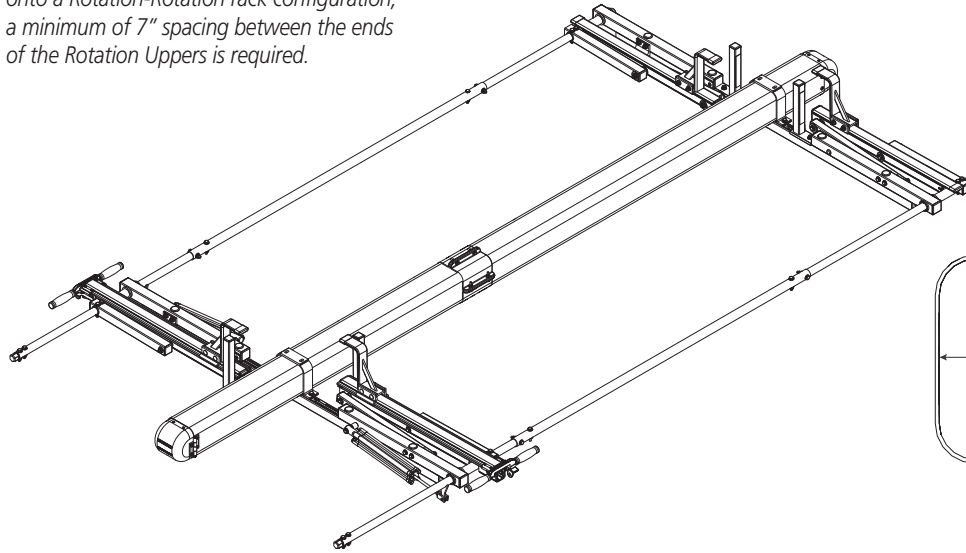
Approximate dimensions as shown:

- A: Conduit Carrier Inside Width/Height 5"
- B: Conduit Carrier Outside Width 5.25"
- C: Conduit Carrier Total Width 8"
- D: Conduit Carrier Total Length 153.75"
- E: Conduit Carrier Usable Length 147"
- F: Front Conduit Splice Usable Length 64"
- G: Rear Conduit Splice Usable Length 83"
- H: Conduit Carrier Height 5"
- I: Mounting Bracket Maximum Width 8'
- j: Minimum Required Space 9"

Note: Includes Consolidated Mounting Bracket Kit to install onto Ergorack, AluRack, and Low Profile models



If installing this Conduit Carrier Assembly onto a Rotation-Rotation rack configuration, a minimum of 7" spacing between the ends of the Rotation Uppers is required.



*CONSOLIDATED MOUNTING BRACKET KIT INCLUDED