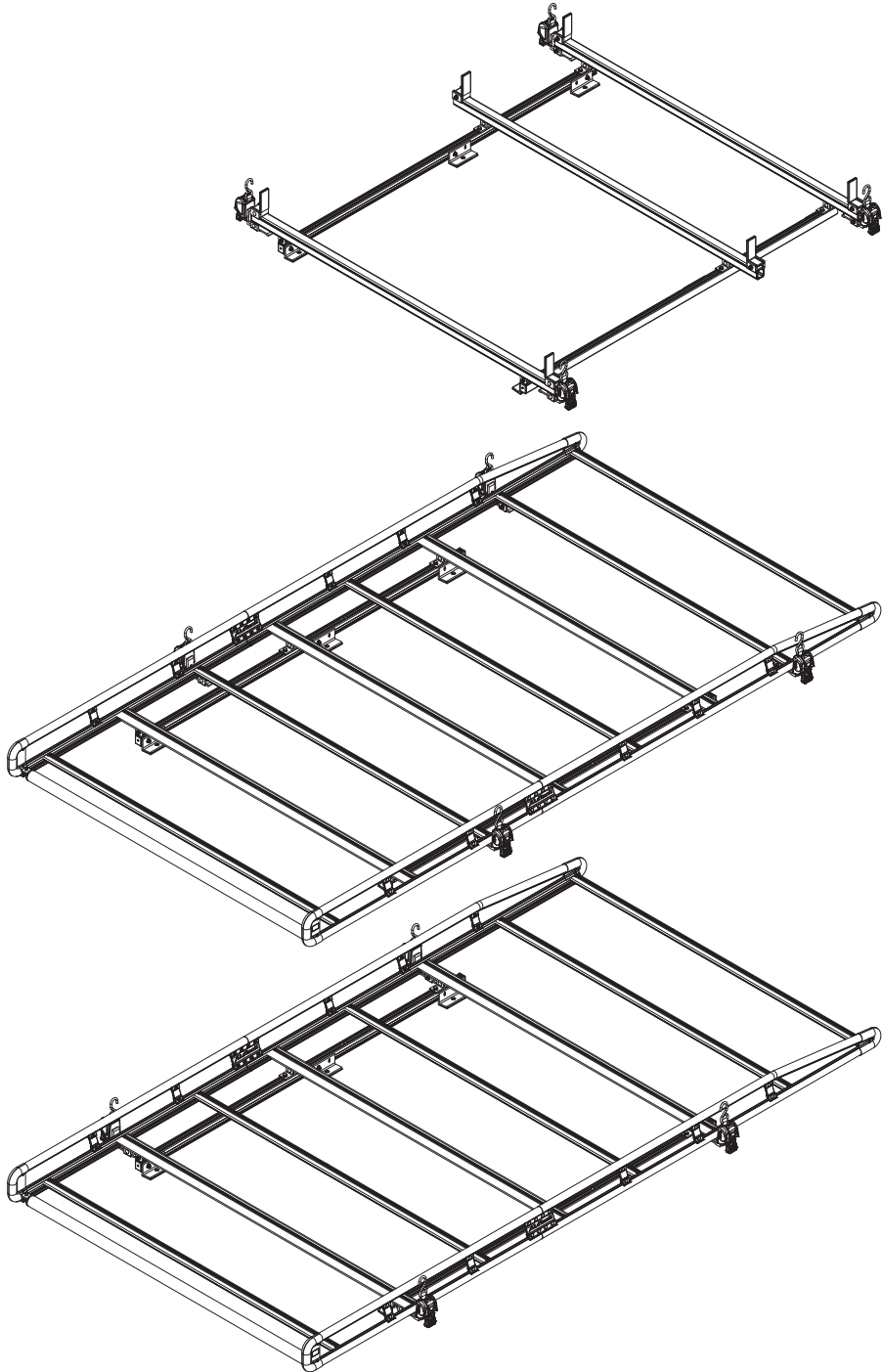


# PRIME DESIGN™

A Safe Fleet Brand



## *UNIVERSAL RATCHET STRAP*

PRIME DESIGN, A SAFE FLEET BRAND

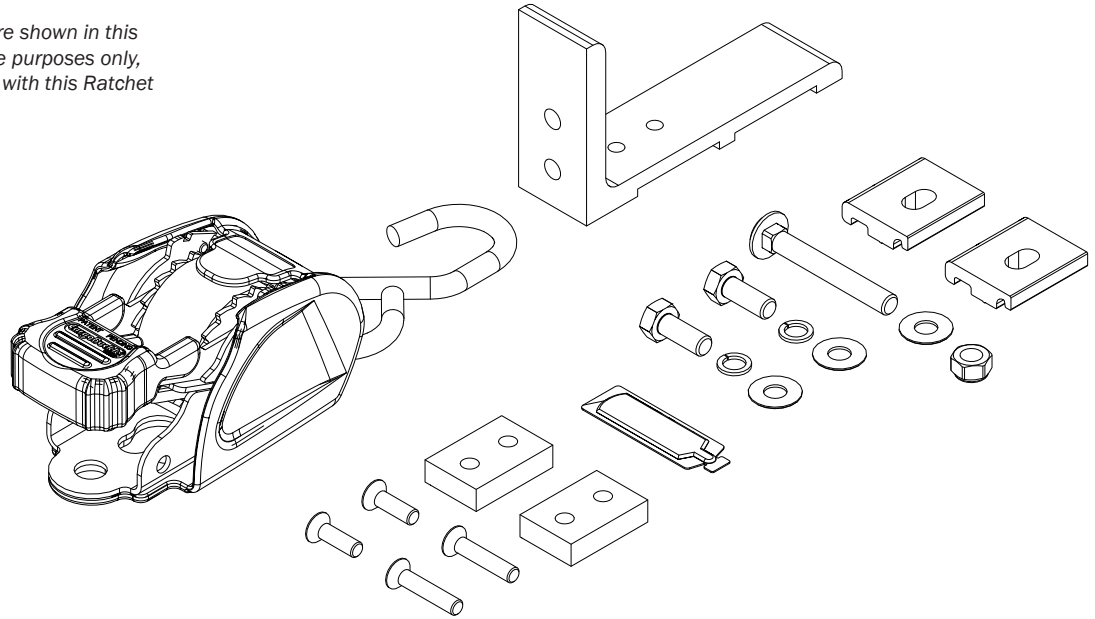
Address: 580 Opperman Drive, Eagan, MN 55123 • Toll Free: 1.8.PRIME.RACK  
Fax: 651-552-1799 • Email: [info@primedesign.net](mailto:info@primedesign.net) • Website: [www.primedesign.net](http://www.primedesign.net)

# ACC 8000

**CONTENTS OVERVIEW**



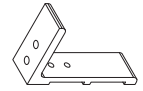
Note: Rack models are shown in this Manual for illustrative purposes only, and are not included with this Ratchet Strap assembly.



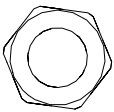
ACC-8000 Ratchet Strap Assembly, Universal



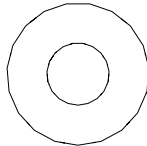
Ratchet Strap Assembly (1X)



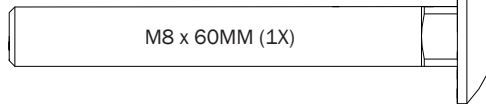
Mount Base (1X)



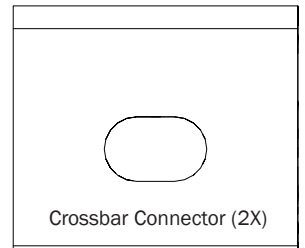
M8 Lock Nut (1X)



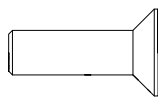
5/16" Flat Washer (3X)



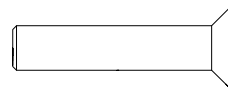
M8 x 60MM (1X)



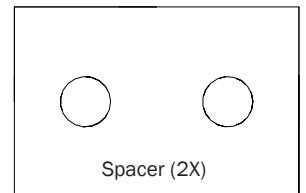
Crossbar Connector (2X)



M6 x 20MM (2X)



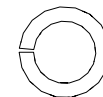
M6 x 30MM (2X)



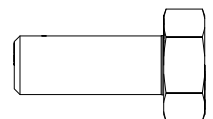
Spacer (2X)



Anti-Seize (1X)



Lock Washer (2X)



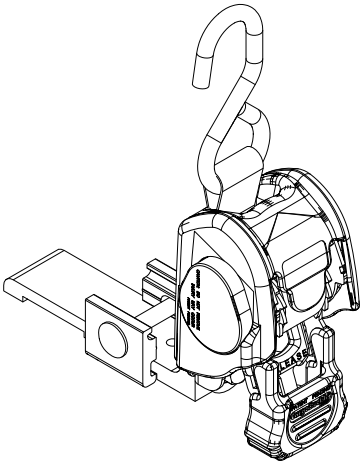
M8 x 20MM (2X)

# RATCHET ASSEMBLY INSTRUCTIONS

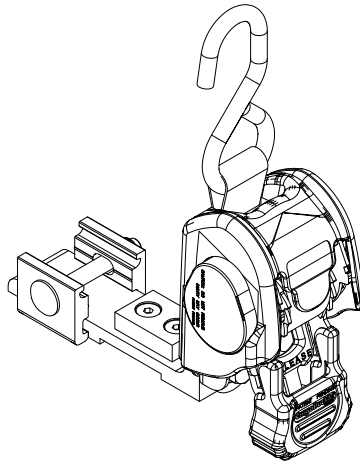


**NOTE:** Ladder Racks and Crossbars are shown throughout the Assembly Manual for illustrative purposes only, and are not included with this Accessory.

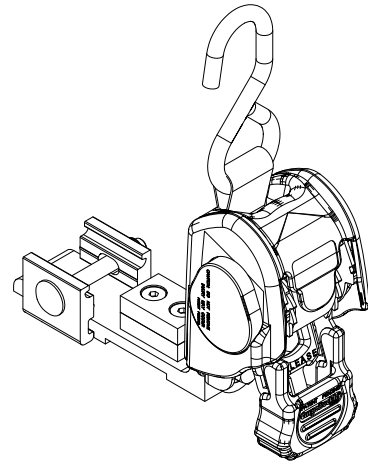
This Kit contains only the parts needed to repair, replace, or retrofit one Crossbar side. Order an additional kit for the other Crossbar sides as needed.



ErgoRack Gen4  
Crossbar Configuration

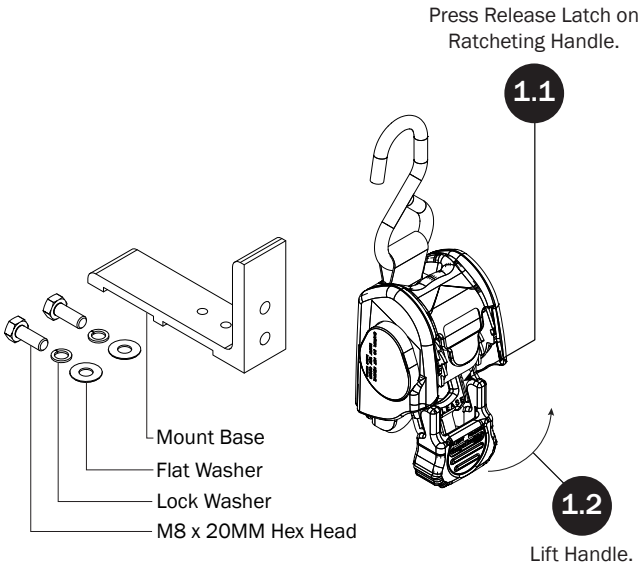


AluRack Light Duty  
Crossbar Configuration

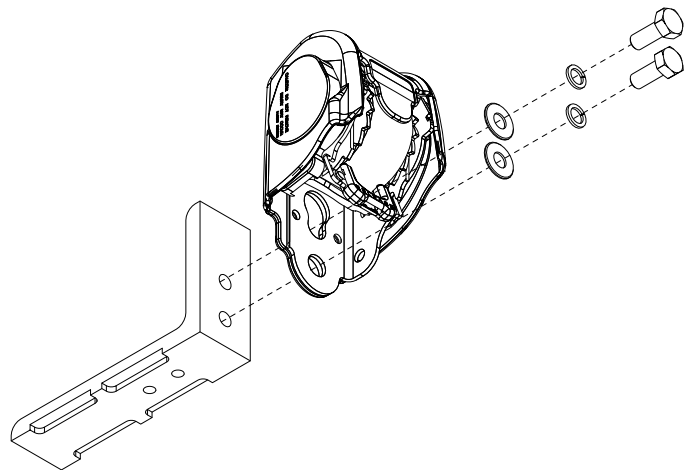


AluRack Heavy Duty  
Crossbar Configuration

## RATCHET MOUNT ASSEMBLY



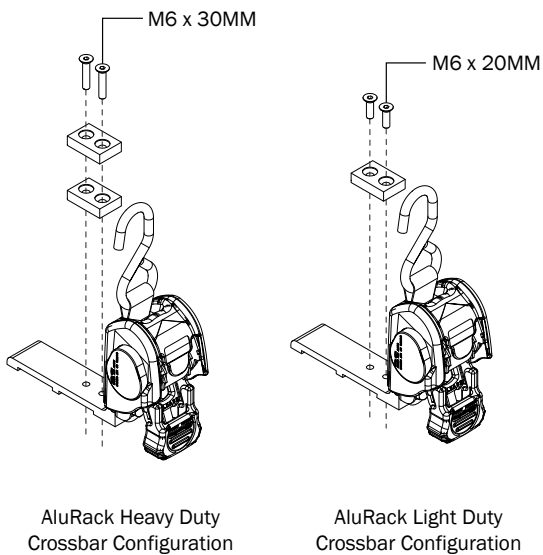
**1.3** Install Hardware as shown and torque to 90 in-lbs.



**RATCHET SETUP-ALURACK ONLY**

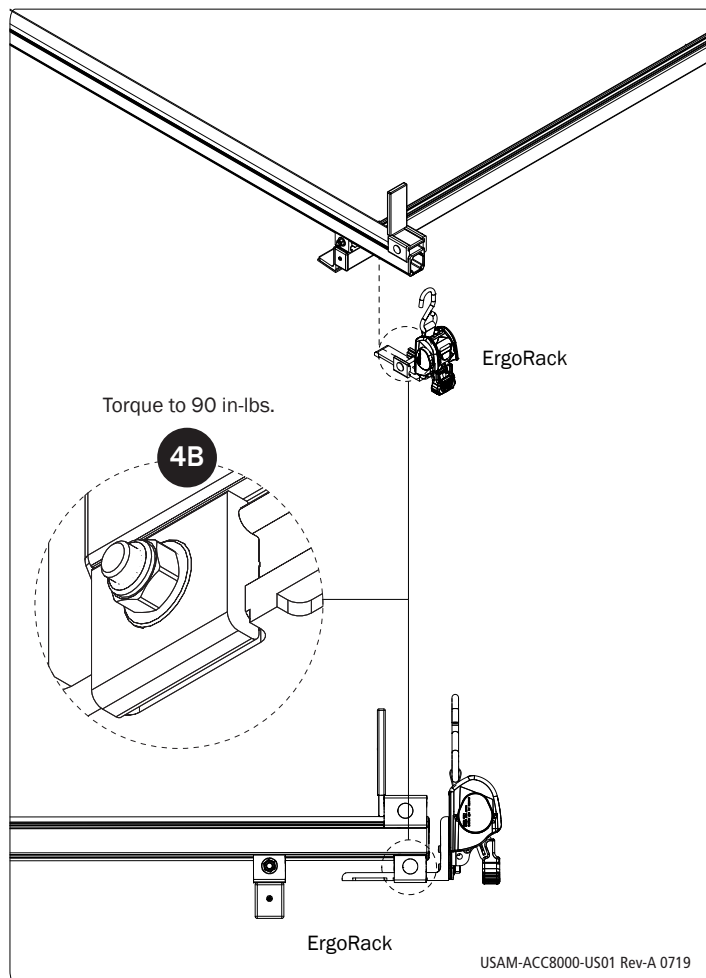
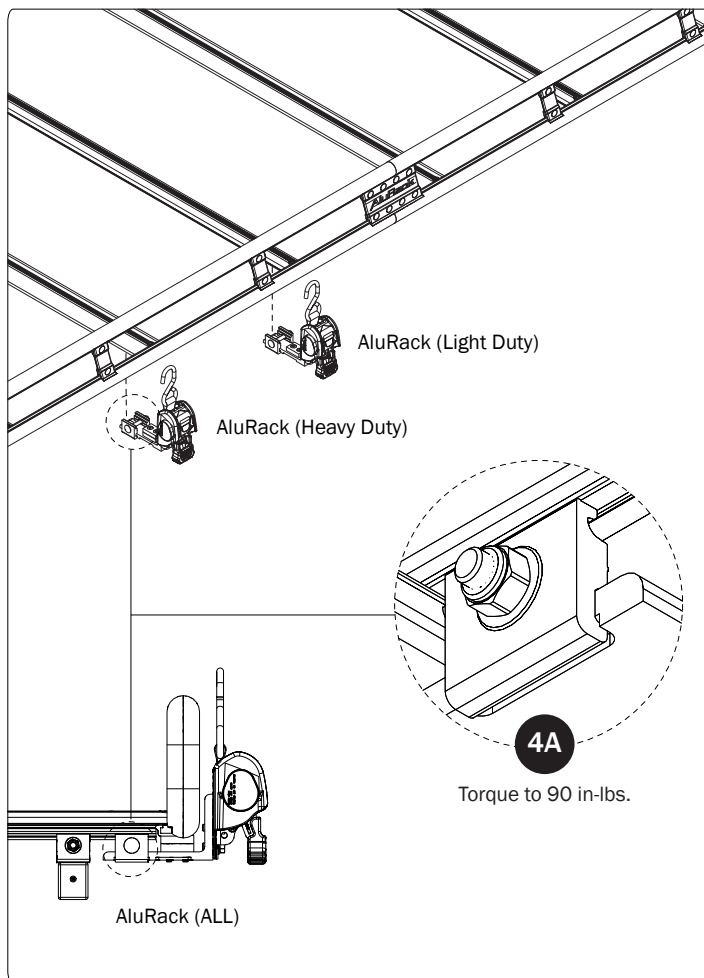
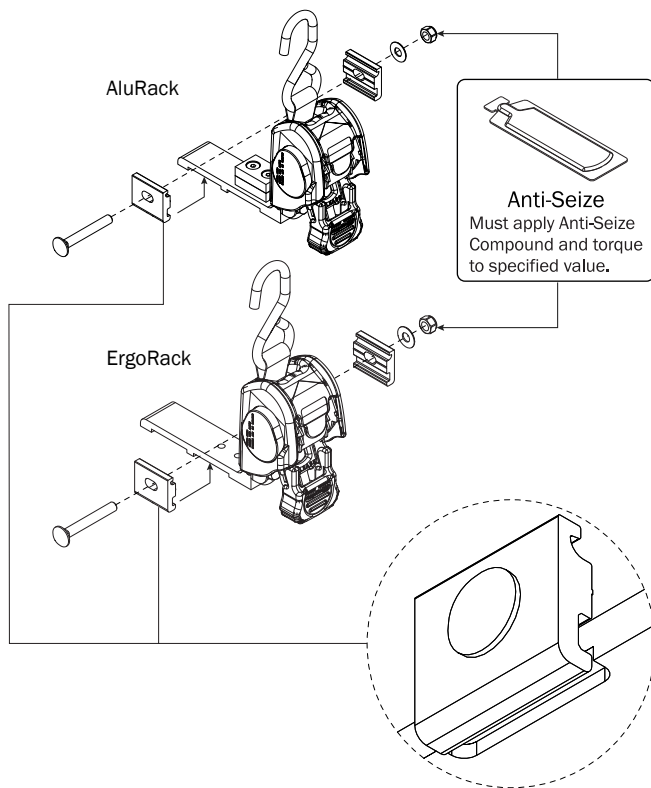
ERGORACK CONFIGURATIONS SKIP TO STEP 3

- 2** Install Hardware shown for your specific AluRack Crossbar, and torque to 90 in-lbs.



**RATCHET SETUP-ALL RACK MODELS**

- 3** Attach the the Mounting Clamp using the hardware shown according to your crossbar configuration, and torque to 90 in-lbs.



USAM-ACC8000-US01 Rev-A 0719