

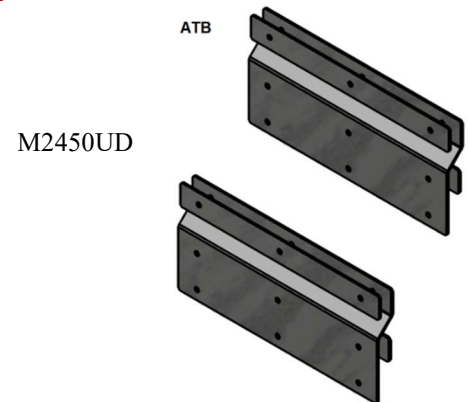
M2450D Series = Aluminum Underbody Top Mount Application

Adjustable under deck top mount brackets are heavy duty, and mounted to box and under van cross beam applications. All AMERICAN TRUCKBOXES mounting kits are designed and built to keep your boxes safe and secure. (See Mounting Kit Installation Sheet for more information)

Description

- An engineered .190 (7g) Aluminum construction
- Predrilled holes adjustable for easy mounting

| No. | Part Number | Application | Height Width | Weight Per Set | Load Rating |
|-----|----------------|-------------|--------------|----------------|--------------|
| 1. | M2450UD-6-18B | Under Deck | 6"x 15.5" | 13 lbs. | 250 lbs. Max |
| 2. | M2450UD-6-20B | Under Deck | 6"x 17.5" | 14 lbs. | 250 lbs. Max |
| 3. | M2450UD-6-22B | Under Deck | 6"x 19.5" | 15 lbs. | 250 lbs. Max |
| 4. | M2450UD-6-24B | Under Deck | 6"x 21.5" | 16 lbs. | 250 lbs. Max |
| 5. | M2450UD-12-18B | Under Deck | 12"x 15.5" | 20 lbs. | 250 lbs. Max |
| 6. | M2450UD-12-20B | Under Deck | 12"x 17.5" | 12 lbs. | 250 lbs. Max |
| 7. | M2450UD-12-22B | Under Deck | 12"x 19.5" | 24 lbs. | 250 lbs. Max |
| 8. | M2450UD-12-24B | Under Deck | 12"x 21.5" | 26 lbs. | 250 lbs. Max |



M2450UD

M2600UD Series = Under Deck Top Mount Application

Adjustable under deck top mount brackets are heavy duty, and mounted to box and under van cross beam applications. All AMERICAN TRUCKBOXES mounting kits are designed and built to keep your boxes safe and secure. (See Mounting Kit Installation Sheet for more information)

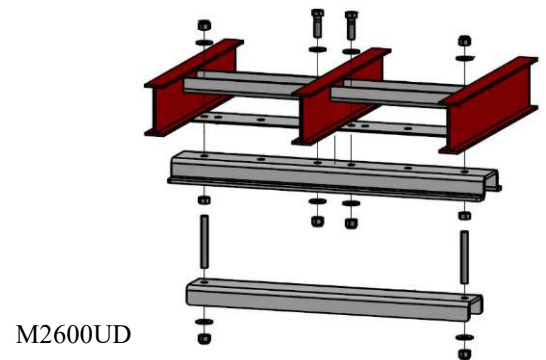
Description

- An engineered .25 (1/4g) Aluminum construction
- Predrilled holes adjustable for easy mounting

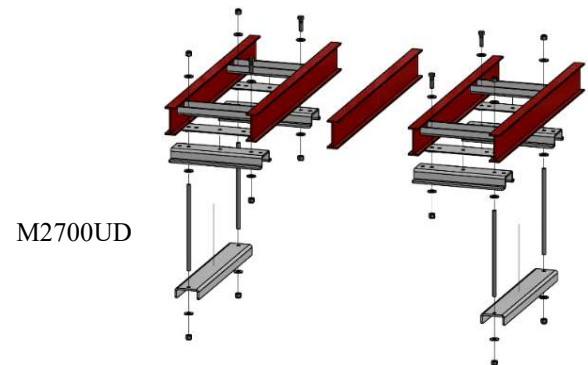
| No. | Part Number | hxw | Application | Height Depth | Weight Per Each | Load Rating Each |
|-----|-----------------|-----|-------------|--------------|-----------------|------------------|
| 1. | M2600UD-2424-1S | | Under Deck | N/A | 16 lbs. | 250 lbs. Max |
| 2. | M2600UD-2424-2S | | Under Deck | N/A | 32 lbs. | 350 lbs. Max |
| 3. | M2600UD-2430-1S | | Under Deck | N/A | 21 lbs. | 250 lbs. Max |
| 4. | M2600UD-2430-2S | | Under Deck | N/A | 42 lbs. | 350 lbs. Max |
| 5. | M2600UD-2436-1S | | Under Deck | N/A | 24 lbs. | 250 lbs. Max |
| 6. | M2600UD-2436-2S | | Under Deck | N/A | 48 lbs. | 350 lbs. Max |
| 7. | M2600UD-2440-1S | | Under Deck | N/A | 28 lbs. | 250 lbs. Max |
| 8. | M2600UD-2440-2S | | Under Deck | N/A | 56 lbs. | 350 lbs. Max |
| 9. | M2600UD-2448-1S | | Under Deck | N/A | 34 lbs. | 250 lbs. Max |
| 10. | M2600UD-2448-2S | | Under Deck | N/A | 68 lbs. | 350 lbs. Max |

Note: For None Adjustable Brackets use M2650UD Series Brackets.

| D | | | | | | |
|----|----------------|------------|-----|---------|--------------|--|
| 1. | M2700UD-24-2-S | Under Deck | N/A | 12 lbs. | 350 lbs. Max | |
| 2. | M2700UD-24-3-S | Under Deck | N/A | 36 lbs. | 550 lbs. Max | |



M2600UD



M2700UD

M6000I Series = I-Beam Under Trailer Mount Application

I-beam under trailer mount brackets are heavy duty, and mounted to the I-Beams under trailer with cross beams. All AMERICAN TRUCKBOXES mounting kits are designed and built to keep your boxes safe and secure. (See Mounting Kit Installation Sheet for more information)

Description

- An engineered .25 (1/4g) steel construction and powder coated
- Predrilled holes for easy mounting

| No. | Part Number | Tank Series | Bolt Size | Spring | Tank Gallons |
|-----|-----------------|--------------|-----------|----------|---------------|
| 1. | M6000I-24-24-2B | Under I-Beam | 24x24 | 280 lbs. | 500 lbs. Max |
| 2. | M6000I-24-24-3B | Under I-Beam | 24x24 | 460 lbs. | 1000 lbs. Max |

