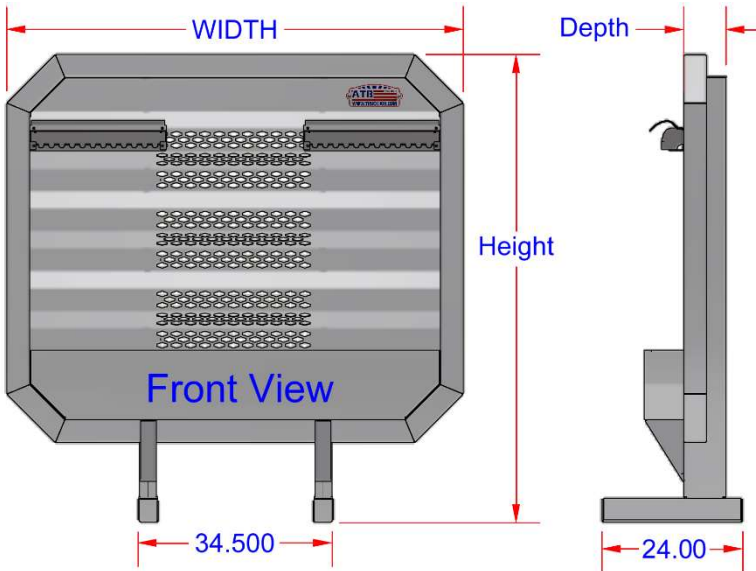


CR – Chain Rack - Aluminum

Chain racks are super heavy duty and offer easy amounting on back of a truck. Racks can be mounted on top of truck frame with U-bolts mounting kit. These racks are designed for storing your chains and binders. Rack boxes are available in different sizes and can be ordered custom size. All AMERICAN TRUCKBOXES boxes are designed and built to keep your equipment safe and secure.

Description

- An engineered aluminum construction
- Fully seam welded on all seams and corners
- Square beam base mount for extra strength
- Ribbed aluminum center plate for extra strength
- Outside formed tube for extra durability
- I-Beam gusseted on base for extra strength
- Chain hangers and chain basket as standard
- Available with SX-Beam or optional Flush Mount System
- Mounting kit not included - M3400I



No.	Model Number	Material	Height (in.)	Depth (in.)	Width (in.)	Chain Hanger	Window	Chain Tray	Weight (lb.)
1.	A-CR61-68764-TIK	.190 Smooth/.125 TP	68	7	64	None	No	No	135
2.	A-CR61-68770-TIK	.190 Smooth/.125 TP	68	7	70	None	No	No	145
3.	A-CR61-68776-TIK	.190 Smooth/.125 TP	68	7	76	None	No	No	158
4.	A-CR61-72780-TIK	.190 Smooth/.125 TP	72	7	80	None	No	No	178
5.	A-CR61-72786-TIK	.190 Smooth/.125 TP	72	7	86	None	No	No	190
6.	A-CR62-68764-TIK	.190 Smooth/.125 TP	68	7	64	None	Yes	No	132
7.	A-CR62-68770-TIK	.190 Smooth/.125 TP	68	7	70	None	Yes	No	142
8.	A-CR62-68776-TIK	.190 Smooth/.125 TP	68	7	76	None	Yes	No	155
9.	A-CR62-72780-TIK	.190 Smooth/.125 TP	72	7	80	None	Yes	No	175
10.	A-CR62-72786-TIK	.190 Smooth/.125 TP	72	7	86	None	Yes	No	194
11.	A-CR64-68764-TIK	.190 Smooth/.125 TP	68	7	64	Yes-2	Yes	Yes	168
12.	A-CR64-68770-TIK	.190 Smooth/.125 TP	68	7	70	Yes-2	Yes	Yes	184
13.	A-CR64-68776-TIK	.190 Smooth/.125 TP	68	7	76	Yes-2	Yes	Yes	201
14.	A-CR64-72780-TIK	.190 Smooth/.125 TP	72	7	80	Yes-2	Yes	Yes	232
15.	A-CR64-72786-TIK	.190 Smooth/.125 TP	72	7	86	Yes-2	Yes	Yes	254

Note: These racks are not a SAFETY DEVICE and will NOT PREVENT SERIOUS INJURY or DEATH from cargo shifting forward or from a result of an accident or improper securements.