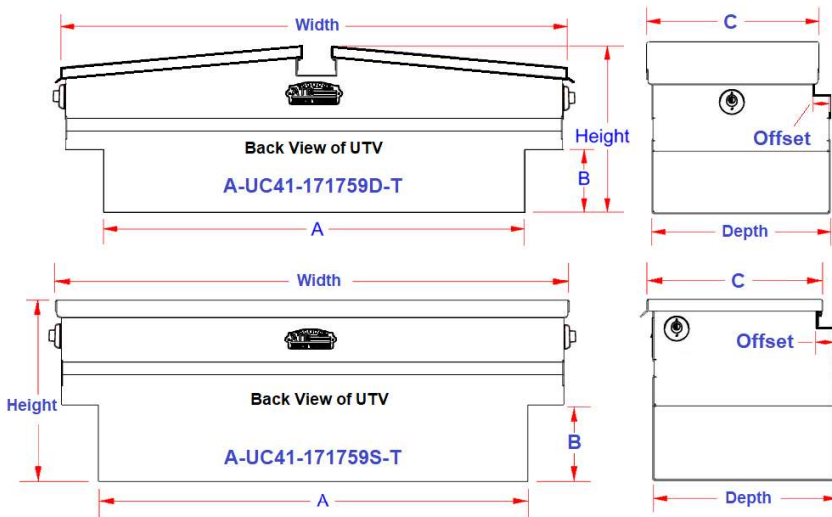


**UC – UTV Cross Boxes – Aluminum – Top Open Lid(s)**

UTV cross boxes are heavy duty and offer a great way to transfer your tools, equipment, cargo, game and/or hunting gear. Boxes can be mounted on the back of UTV or many other applications. **Boxes are available in different sizes, come with sliding tray and can be ordered custom size.** All AMERICAN TRUCKBOXES boxes are designed and built to keep your equipment safe and secure.

**Description**

- An engineered .090 smooth / .100 tread aluminum construction
- Fully seam welded on all seams and corners
- Stainless steel continuous hinge full length of lid
- Unique design for perfect fit and looks
- Lockable automotive stainless-steel latch with smooth rotary action and adjustable lock striker for positive weather seal
- Channel braced reinforced lid with gas springs
- Sliding tray with adjustable dividers
- Fully concealed rain gutter and automotive type weather seal
- Mounting kit not included



**Note:** UTV's listed are design on demand; boxes can be ordered for any UTV vehicle. Double check your measurements.

No.	Model Number	UTV	Material	Height (in.)	Depth (in.)	Width (in.)	A (in.)	B (in.)	C (in.)	Offset (in.)	Weight (lb.)
1.	A-UC41-171359D-T	JD Gator/Polaris Kubota CAM-DEF	.090 S/ .100 TP	17	13	59	50.5	7.0	11	1.5	65
2.	A-UC41-171759D-T	JD Gator/Polaris Kubota CAM-DEF	.090 S/ .100 TP	17	17	59	50.5	7.0	15	1.5	72
3.	A-UC41-171359S-T	JD Gator/Polaris Kubota CAM-DEF	.090 S/ .100 TP	17	13	59	50.5	7.0	11	1.5	52
4.	A-UC41-171759S-T	JD Gator/Polaris Kubota CAM-DEF	.090 S/ .100 TP	17	17	59	50.5	7.0	15	1.5	58