

SC - 4-Wheeler Boxes - Aluminum - Single Top Open Lid

4-Wheeler chest boxes are heavy duty and offer easy access to your equipment. Boxes can be mounted on front and back of 4-wheeler or many other applications. These boxes are perfect for storing your hunting equipment, tools and personal gear. 4-wheeler boxes are available in different sizes, and can be ordered custom size. All AMERICAN TRUCKBOXES boxes are designed and built to keep your equipment safe and secure.

Description

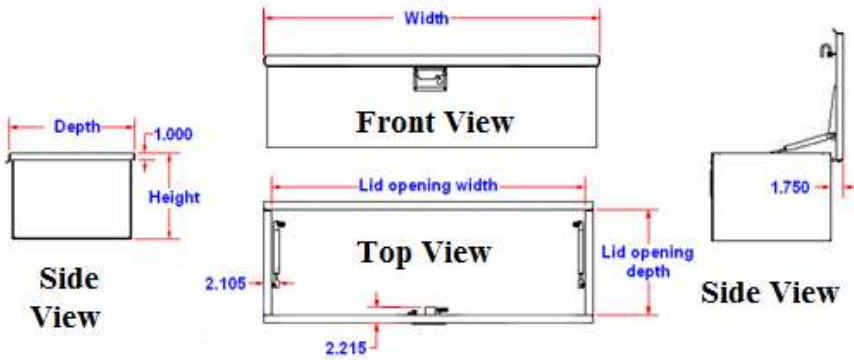
- An engineered aluminum construction
- Fully seam welded on all seams and corners
- Stainless Steel continuous hinge full length of lid
- Unique design for perfect fit and looks
- Channel braced reinforced lid with gas springs
- Zinc epoxy primer with MR powder baked topcoat finish
- Lockable stainless-steel latch
- Adjustable lock striker for positive weather seal
- Fully concealed rain gutter and automotive type weather seal
- Automotive style latch with smooth rotary action
- Rubber matt inside floor
- Mounting kit included - M3202D



SC31 Front Box



SC32 Rear Box



Note: *Boxes are available in: Black (B) and Forest Green (G) Finish – add after part number.

No.	Model Number	Material	Height (in.)	Depth (in.)	Width (in.)	Lid Opening Width (in.)	Lid Opening Depth (in.)	Weight (lb.)
1.	A-SC31-61336-TTB	.063 Tread	6	13	36	31.00	8-13/16	15
2.	A-SC31-81336-TTB	.063 Tread	8	13	36	31.00	8-13/16	16
3.	A-SC31-101336-TTB	.063 Tread	10	13	36	31.00	8-13/16	18
4.	A-SC31-81342-TTB	.063 Tread	8	13	42	37.00	8-13/16	19
5.	A-SC31-101342-TTB	.063 Tread	10	13	42	37.00	8-13/16	20
6.	A-SC32-101440-TTB	.063 Tread	10	14	40	36-3/4	10-7/8	20
7.	A-SC32-121440-TTB	.063 Tread	12	14	40	36-3/4	10-7/8	22
8.	A-SC32-141440-TTB	.063 Tread	14	14	40	36-3/4	10-7/8	23
9.	A-SC32-161440-TTB	.063 Tread	16	14	40	36-3/4	10-7/8	25
10.	A-SC32-161444-TTB	.063 Tread	16	14	44	40-3/4	10-7/8	27