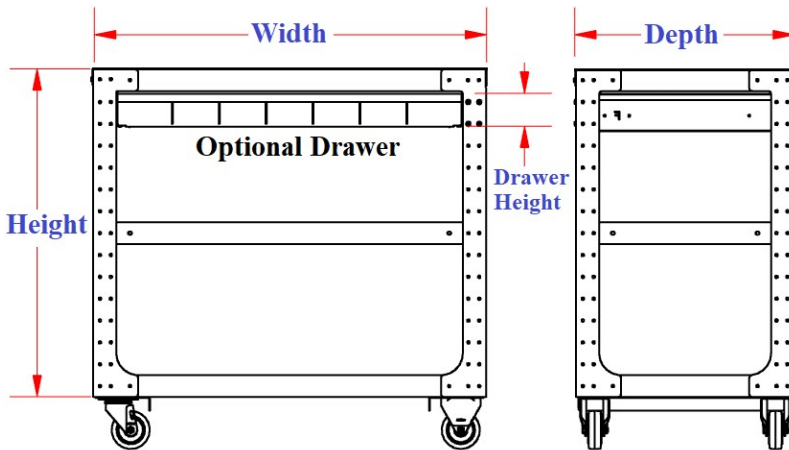


## CM –Machine Shop Work Carts – Steel

Machine shop work carts are heavy duty and offer a great way to store your tools, and service/machine parts. Carts offer a great way to organize your service area and may be used for many different applications. Carts are available in different sizes and can be ordered custom size. All AMERICAN TRUCKBOXES tables are designed and built to a quality you respect.

### Description

- An engineered steel construction
- Heavy corners for superior strength
- Heavy duty hemmed shelves
- Heavy duty 3.5” rubber casters
- Optional drawers with optional partitioned dividers
- Optional durable heavy-duty slides
- Powder coated baked-on finish



No.	Model Number	Material (gauge)	Height (in.)	Depth (in.)	Width (in.)	Shelves	Drawers	Dividers	Weight (lb.)
1.	S-CM31-302030-BG3	14/16g	30	20	30	3	Add-On	N/A	48
2.	S-CM31-302430-BG3	14/16g	30	24	30	3	Add-On	N/A	56
3.	S-CM31-302036-BG3	14/16g	30	20	36	3	Add-On	N/A	58
4.	S-CM31-302436-BG3	14/16g	30	24	36	3	Add-On	N/A	70
5.	S-CM41-302030-BG3	12/14g	30	20	30	3	Add-On	N/A	60
6.	S-CM41-302430-BG3	12/14g	30	24	30	3	Add-On	N/A	68
7.	S-CM41-302036-BG3	12/14g	30	20	36	3	Add-On	N/A	70
8.	S-CM41-302436-BG3	12/14g	30	24	36	3	Add-On	N/A	82
9.	S-CMD41-42030-BG1	14g	4	20	30	N/A	1	Add-On	16
10.	S-CMD41-42430-BG1	14g	4	24	30	N/A	1	Add-On	19
11.	S-CMD41-42036-BG1	14g	4	20	36	N/A	1	Add-On	20
12.	S-CMD41-42436-BG1	14g	4	24	36	N/A	1	Add-On	24