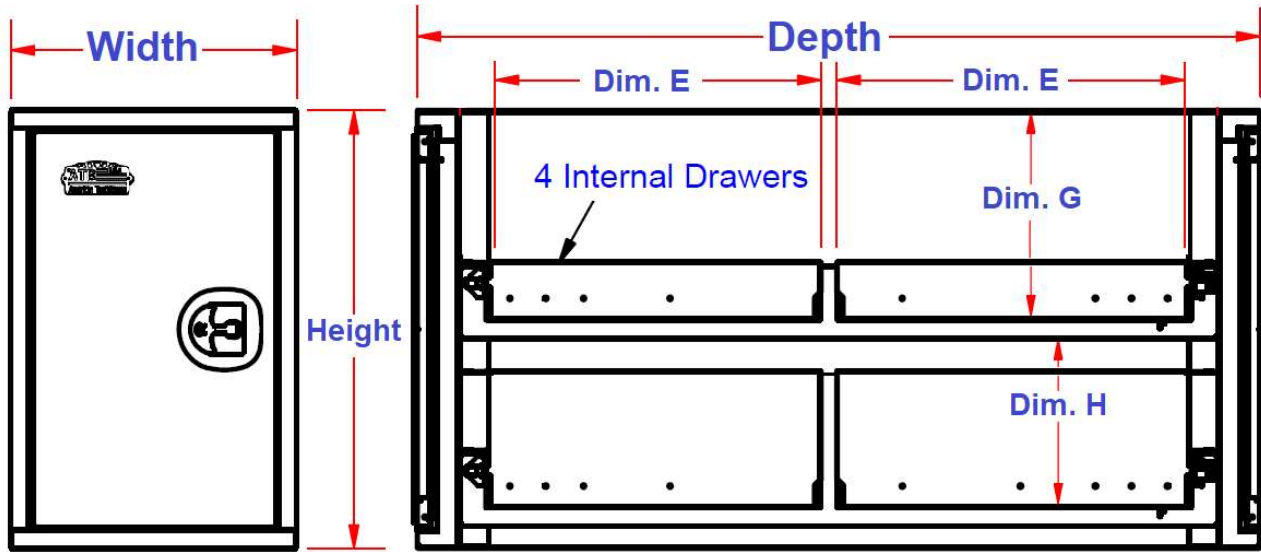


CRD - Cargo Drawers Boxes – Steel & Aluminum Single Both End Doors

Cargo drawer boxes are super heavy duty, high capacity and offer easy access from side of truck or trailer. Boxes can be mounted on back of your truck or on your flatbed or trailer. These boxes are perfect for storing tools, hardware, fasteners and many other small parts. Cargo boxes are available in different sizes, and can be ordered custom size. All AMERICAN TRUCKBOXES boxes are designed and built to keep your equipment safe and secure.

Description

- An engineered steel and/or aluminum construction
- Fully seam welded on all seams and corners
- Stainless steel continuous hinge on full length of door
- Fully concealed rain gutter with automotive weather seal
- Lockable SS Dolphin Tail HD adjustable T-handle latch
- Zinc epoxy primer with MR powder baked topcoat finish
- Galvanized 18g hemmed adjustable dividers
- HD drawers with inside adjustable compartments
- Boxes are available in custom size
- Mounting kit not included



CRD Models with four drawers

Note: *Boxes are available in: Black (XB) and White (XW) Finish – add after part number.

No.	Model Number	Material	Drawers	Height (in.)	Depth (in.)	Width (in.)	Dim. E (in.)	Dim. G (in.)	Dim. H (in.)	Weight (lb.)
1.	A-CRD55-278021S-S4	.125 Aluminum	Yes/4	27	80	21	32	6	15	220
2.	S-CRD45-278021S-*4	14g Steel	Yes/4	27	80	21	32	6	15	375

Note: Boxes are available in different configuration and custom sizes; call the factory for different sizes and options.