

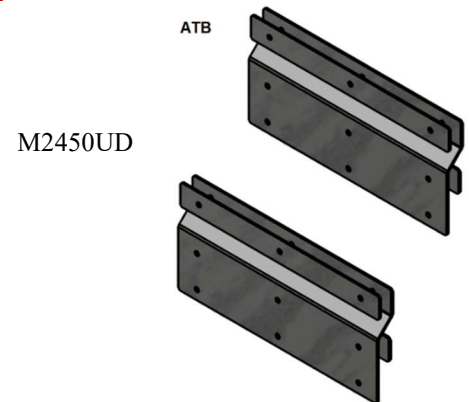
M2450D Series = Aluminum Underbody Top Mount Application

Adjustable under deck top mount brackets are heavy duty, and mounted to box and under van cross beam applications. All AMERICAN TRUCKBOXES mounting kits are designed and built to keep your boxes safe and secure. (See Mounting Kit Installation Sheet for more information)

Description

- An engineered .125 (10g) steel powder coated
- Predrilled holes adjustable for easy mounting

| No. | Part Number | Application | Height Width | Weight Per Set | Load Rating |
|-----|----------------|-------------|--------------|----------------|--------------|
| 1. | M2450UD-6-18B | Under Deck | 10"x 18" | 13 lbs. | 250 lbs. Max |
| 2. | M2450UD-6-20B | Under Deck | 10"x 20" | 14 lbs. | 250 lbs. Max |
| 3. | M2450UD-6-22B | Under Deck | 10"x 22" | 15 lbs. | 250 lbs. Max |
| 4. | M2450UD-6-24B | Under Deck | 10"x 24" | 16 lbs. | 250 lbs. Max |
| 5. | M2450UD-14-18B | Under Deck | 18"x 18" | 20 lbs. | 250 lbs. Max |
| 6. | M2450UD-14-20B | Under Deck | 18"x 20" | 12 lbs. | 250 lbs. Max |
| 7. | M2450UD-14-22B | Under Deck | 18"x 22" | 24 lbs. | 250 lbs. Max |
| 8. | M2450UD-14-24B | Under Deck | 18"x 24" | 26 lbs. | 250 lbs. Max |



M3200 Series = Top Deck Mount Application

Top deck mount brackets are used for mounting boxes to a deck or flat surface. All AMERICAN TRUCKBOXES mounting kits are designed and built to keep your boxes safe and secure.

Description

- Steel powder coated
- Requires drilling on box and mounting surface

| No. | Part Number | Box Series | Bolt Size | Weight Per Set | Load Rating |
|-----|-------------|----------------------------|-----------|----------------|-------------|
| 1. | M3200D | S20-S20RG A20RG | 5/16" | 2 lbs. | Bolt-N/A |
| 2. | M3200D-DU2 | SDU41-ADU41 SDU42-ADU42 | 5/16" | 4 lbs. | Bolt-N/A |
| 3. | M3200D-DU3 | SDU41-ADU41 SDU42-ADU42 | 5/16" | 6 lbs. | Bolt-N/A |



M3400 Series = C-Frame (Rack Box) Mount Application.

Rack mount brackets are used to mount rack boxes to C-frame on truck. All AMERICAN TRUCKBOXES mounting kits are designed and built to keep your boxes safe and secure.

Description

- Steel construction
- Brite Pro-Shield® Powder Coat finish ensures years dependability
- U-Bolt system requires no drilling to frame

| No. | Part Number | Box Series | Bolt Size | Weight Per Set | Load Rating |
|-----|---------------|-------------------------------------------------------------------------|--------------|----------------|-------------|
| 1. | M3450C | CP-Cross-Pack | 5/8" | 12 lbs. | U-Bolt-N/A |
| 2. | M3452C | TRG5-BESO Frame Mount | 5/8" | 18 lbs. | U-Bolt-N/A |
| 3. | M3454C | CP Boxes - U-Bolt Mount Kit (Ford F350-F450-F550 2017 Plus) | 5/8" | 20 lbs. | U-Bolt-NA |
| 4. | M3460-250-52B | CP Cross-Pack Mounting Adapter Brackets (Ford F350-F450-F550 2017 Plus) | 1/2" 5/8" | 55 lbs. | CP Boxes |



M3460-250-52B