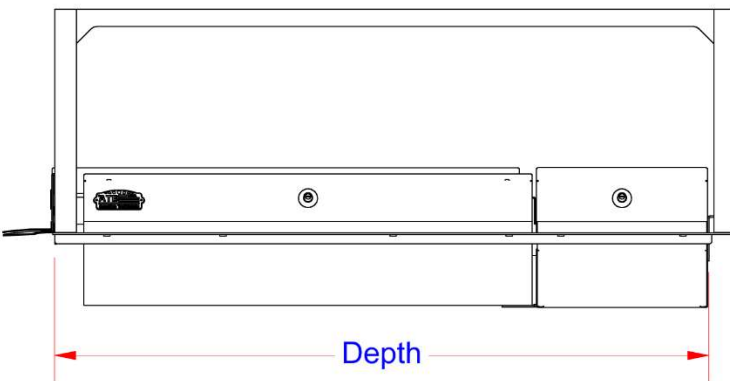
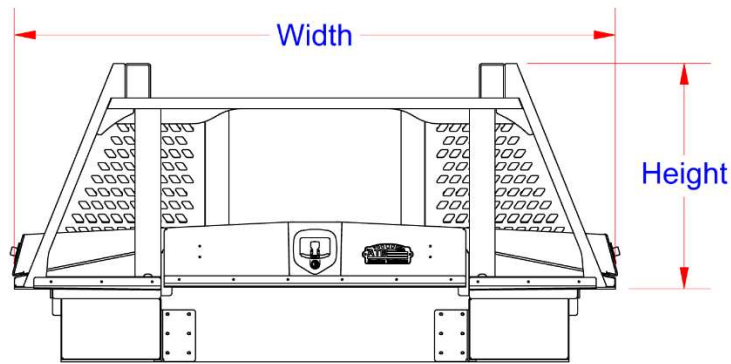


SP – Service-Pack for Pickups - Aluminum

Service-Packs are heavy duty and offer a great way to make your truck full-service vehicle and help protect your tools. Service-Pack can be used for many different applications, like electrical, plumbing, construction tools and parts. Service-Packs are available in different configuration and can be ordered custom setup. All AMERICAN TRUCKBOXES service-packs are designed and built to a quality you respect.

Description

- An engineered aluminum construction
- Fully seam welded on all seams and corners
- Plain, mirror or powder coated finish
- EZ-grab design for easy reaching for your tools
- Heavy duty automotive secure locks to protect your tools
- Fully concealed rain gutters and automotive type weather seal
- Easy mountable
- Service body replacement – huge saving benefit
- Sliding tool tray
- Optional - Top ladder rotational rack optional
- Optional - LED lights
- Mounting kit included



No.	Model Number	Style	Rack	Height (in.)	Depth (in.)	Width (in.)	Side Boxes	Cross Box	Screen/Window	Box (Ft)	Weight (lb.)
1.	A-SP51-246570-TB	Lite-XS	Front & Back	24	64	70	Yes	No	Yes	5.5'	290
2.	A-SP52-246570-TB	Pro-XS	Front & Back	24	64	70	Yes	20" Yes	Yes	5.5'	305
3.	A-SP51-247770-TB	Lite-XM	Front & Back	24	76	70	Yes	No	Yes	6.5'	310
4.	A-SP52-247770-TB	Pro-XM	Front & Back	24	76	70	Yes	20" Yes	Yes	6.5'	325
5.	A-SP51-249570-TB	Lite-XL	Front & Back	24	94	70	Yes	No	Yes	8'	375
6.	A-SP52-249570-TB	Pro-XL	Front & Back	24	94	70	Yes	24" Yes	Yes	8'	394

Note: Service-Packs are available in different configuration and custom sizes; call the factory for different sizes and options.